



MINNESOTA DEPT OF TRANSPORTATION

TRAFFIC DATA COLLECTION - METRO

TH-95 at Franconia Trail
 Ref.Pt.: 078.685
 JAMAR # 631 RE
 TURN MOVEMENT COUNT

File Name : TH-95 at Franconia Trail 2010
 Site Code : 00000000
 Start Date : 8/25/2010
 Page No : 1

Groups Printed- Cars & Trucks

Start Time	TH-95 / St Croix Trail Southbound				Franconia Trail (paved) Westbound				TH-95 / St Croix Trail Northbound				Franconia Trail (gravel) Eastbound				Int. Total	
	Left	Thru	Right	Peds	Left	Thru	Right	Peds	Left	Thru	Right	Peds	Left	Thru	Right	Peds		
06:00	0	35	0	0	2	0	0	0	0	4	0	0	0	0	0	0	0	41
06:15	0	33	0	0	1	0	0	0	0	3	0	0	0	0	0	0	0	37
06:30	0	26	0	0	0	0	0	0	0	5	0	0	0	0	0	0	0	31
06:45	0	28	0	0	1	0	0	0	0	16	0	0	0	0	0	1	0	46
Total	0	122	0	0	4	0	0	0	0	28	0	0	0	0	0	1	0	155
07:00	0	18	0	0	0	0	0	0	0	7	0	0	0	0	0	0	0	25
07:15	0	26	0	0	1	0	2	0	0	10	0	0	1	0	0	0	0	40
07:30	0	23	0	0	0	0	0	0	1	9	0	0	0	0	0	0	0	33
07:45	0	24	0	0	0	0	1	0	0	17	1	0	0	0	0	1	0	44
Total	0	91	0	0	1	0	3	0	1	43	1	0	1	0	1	0	0	142
08:00	0	19	0	0	0	0	0	0	0	15	0	0	0	0	0	1	0	35
08:15	1	26	1	0	0	0	1	0	0	11	0	0	0	0	0	0	0	40
08:30	1	20	0	0	0	0	1	0	0	11	1	0	0	0	0	0	0	34
08:45	1	21	1	0	0	0	0	0	0	15	0	0	0	0	0	0	0	38
Total	3	86	2	0	0	0	2	0	0	52	1	0	0	0	0	1	0	147
*** BREAK ***																		
14:30	2	25	0	0	2	0	1	0	0	20	1	0	0	0	0	0	0	51
14:45	1	19	0	0	0	0	2	0	0	36	1	0	0	0	0	0	0	59
Total	3	44	0	0	2	0	3	0	0	56	2	0	0	0	0	0	0	110
15:00	0	21	1	0	0	0	1	0	1	22	1	0	2	0	0	0	0	49
15:15	1	28	1	0	1	0	1	0	0	40	0	0	0	0	0	0	0	72
15:30	0	29	0	0	0	0	1	1	0	29	1	0	0	0	0	0	0	61
15:45	3	28	0	0	0	0	2	0	0	37	1	0	0	0	0	0	0	71
Total	4	106	2	0	1	0	5	1	1	128	3	0	2	0	0	0	0	253
16:00	1	32	1	0	0	0	2	0	1	39	0	0	1	0	0	0	0	77
16:15	0	28	0	0	1	0	1	0	0	43	1	0	0	0	0	0	0	74
16:30	3	29	1	0	0	0	1	0	0	45	0	0	0	0	0	0	0	79
16:45	0	26	1	0	0	0	2	0	1	40	1	0	1	0	1	0	0	73
Total	4	115	3	0	1	0	6	0	2	167	2	0	2	0	1	0	0	303
17:00	3	28	0	0	0	0	2	0	1	44	1	0	0	0	1	0	0	80
17:15	1	20	0	0	0	0	0	0	1	49	2	0	1	0	0	0	0	74
17:30	3	21	1	0	1	0	1	0	1	36	0	0	0	0	0	0	0	64
17:45	1	23	0	0	0	0	0	0	1	43	0	0	0	0	0	0	0	68
Total	8	92	1	0	1	0	3	0	4	172	3	0	1	0	1	0	0	286
Grand Total	22	656	8	0	10	0	22	1	8	646	12	0	6	0	5	0	0	1396
Apprch %	3.2	95.6	1.2	0	30.3	0	66.7	3	1.2	97	1.8	0	54.5	0	45.5	0	0	
Total %	1.6	47	0.6	0	0.7	0	1.6	0.1	0.6	46.3	0.9	0	0.4	0	0.4	0	0	



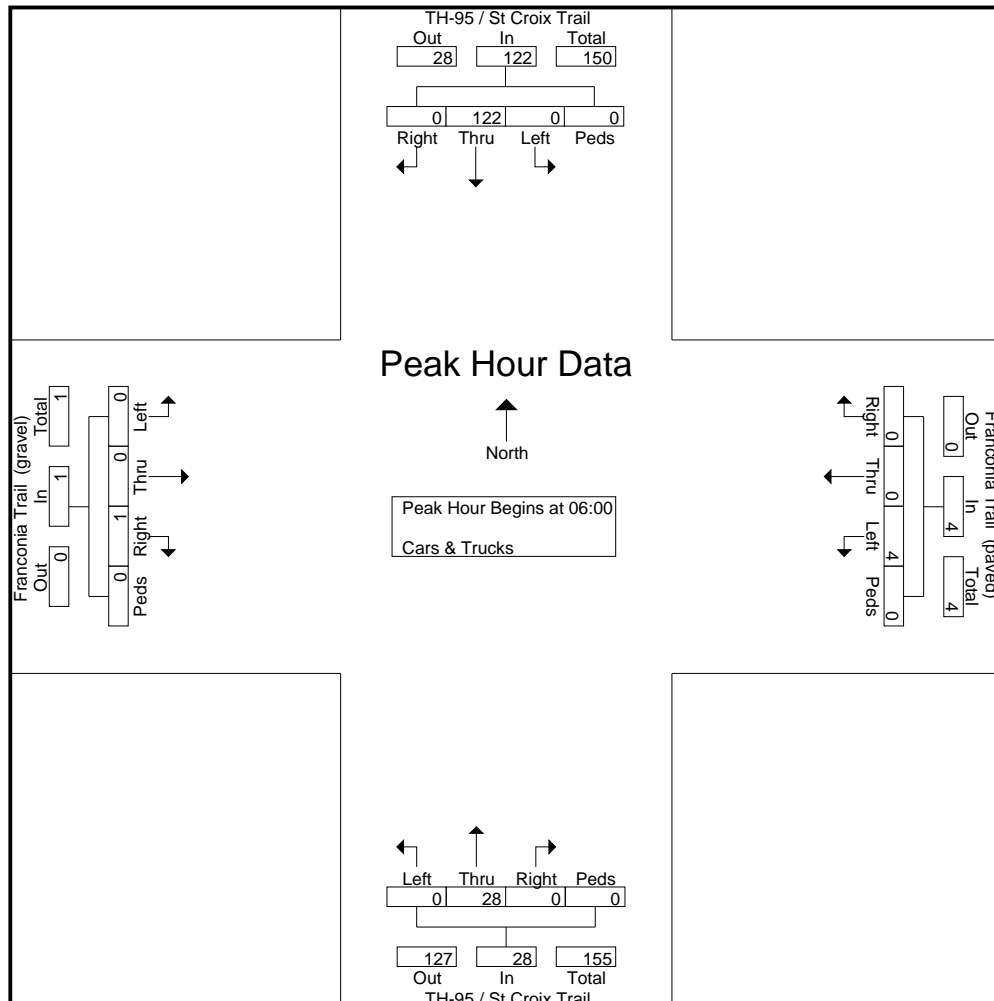
MINNESOTA DEPT OF TRANSPORTATION

TRAFFIC DATA COLLECTION - METRO

TH-95 at Franconia Trail
 Ref.Pt.: 078.685
 JAMAR # 631 RE
 TURN MOVEMENT COUNT

File Name : TH-95 at Franconia Trail 2010
 Site Code : 00000000
 Start Date : 8/25/2010
 Page No : 2

Start Time	TH-95 / St Croix Trail Southbound					Franconia Trail (paved) Westbound					TH-95 / St Croix Trail Northbound					Franconia Trail (gravel) Eastbound					Int. Total
	Left	Thru	Right	Peds	App. Total	Left	Thru	Right	Peds	App. Total	Left	Thru	Right	Peds	App. Total	Left	Thru	Right	Peds	App. Total	
Peak Hour Analysis From 06:00 to 08:45 - Peak 1 of 1																					
Peak Hour for Entire Intersection Begins at 06:00																					
06:00	0	35	0	0	35	2	0	0	0	2	0	4	0	0	4	0	0	0	0	0	41
06:15	0	33	0	0	33	1	0	0	0	1	0	3	0	0	3	0	0	0	0	0	37
06:30	0	26	0	0	26	0	0	0	0	0	0	5	0	0	5	0	0	0	0	0	31
06:45	0	28	0	0	28	1	0	0	0	1	0	16	0	0	16	0	0	1	0	1	46
Total Volume	0	122	0	0	122	4	0	0	0	4	0	28	0	0	28	0	0	1	0	1	155
% App. Total	0	100	0	0		100	0	0	0		0	100	0	0		0	0	100	0		
PHF	.000	.871	.000	.000	.871	.500	.000	.000	.000	.500	.000	.438	.000	.000	.438	.000	.000	.250	.000	.250	.842





MINNESOTA DEPT OF TRANSPORTATION

TRAFFIC DATA COLLECTION - METRO

TH-95 at Franconia Trail
 Ref.Pt.: 078.685
 JAMAR # 631 RE
 TURN MOVEMENT COUNT

File Name : TH-95 at Franconia Trail 2010
 Site Code : 00000000
 Start Date : 8/25/2010
 Page No : 3

Start Time	TH-95 / St Croix Trail Southbound					Franconia Trail (paved) Westbound					TH-95 / St Croix Trail Northbound					Franconia Trail (gravel) Eastbound					Int. Total
	Left	Thru	Right	Peds	App. Total	Left	Thru	Right	Peds	App. Total	Left	Thru	Right	Peds	App. Total	Left	Thru	Right	Peds	App. Total	

Peak Hour Analysis From 14:30 to 17:45 - Peak 1 of 1
 Peak Hour for Entire Intersection Begins at 16:15

16:15	0	28	0	0	28	1	0	1	0	2	0	43	1	0	44	0	0	0	0	0	74
16:30	3	29	1	0	33	0	0	1	0	1	0	45	0	0	45	0	0	0	0	0	79
16:45	0	26	1	0	27	0	0	2	0	2	1	40	1	0	42	1	0	1	0	2	73
17:00	3	28	0	0	31	0	0	2	0	2	1	44	1	0	46	0	0	1	0	1	80
Total Volume	6	111	2	0	119	1	0	6	0	7	2	172	3	0	177	1	0	2	0	3	306
% App. Total	5	93.3	1.7	0		14.3	0	85.7	0		1.1	97.2	1.7	0		33.3	0	66.7	0		
PHF	.500	.957	.500	.000	.902	.250	.000	.750	.000	.875	.500	.956	.750	.000	.962	.250	.000	.500	.000	.375	.956

