



MINNESOTA DEPT OF TRANSPORTATION

TRAFFIC DATA COLLECTION - METRO

TH-95 AT OAKVIEW AVE. (N BRANCH)
 REF.PT.: 054.503
 DATA COLLECTED BY TDI
 TURN MOVEMENT COUNT

File Name : TH-95 AT OAKVIEW AVE - 13TH AVE 2007
 Site Code : 00198754
 Start Date : 6/5/2007
 Page No : 1

Groups Printed- Unshifted

Start Time	13TH AVE. Southbound				MN-95 Westbound				Oakview Ave Northbound				MN-95 Eastbound				Int. Total
	Left	Thru	Right	Peds	Left	Thru	Right	Peds	Left	Thru	Right	Peds	Left	Thru	Right	Peds	
06:00	3	0	5	0	3	106	11	0	13	1	3	0	9	45	1	0	200
06:15	3	1	5	0	3	103	10	0	11	1	3	0	16	62	2	0	220
06:30	6	0	8	0	4	105	6	0	23	1	3	0	14	67	3	0	240
06:45	2	0	7	0	9	112	18	0	21	0	7	0	12	92	7	0	287
Total	14	1	25	0	19	426	45	0	68	3	16	0	51	266	13	0	947
07:00	1	2	8	0	10	113	14	0	24	2	8	0	11	94	3	0	290
07:15	2	0	8	0	8	103	8	0	12	0	7	1	20	124	2	0	295
07:30	9	1	7	0	10	112	17	0	26	3	10	1	19	147	14	0	376
07:45	15	0	8	0	9	112	11	2	29	2	10	0	22	169	8	0	397
Total	27	3	31	0	37	440	50	2	91	7	35	2	72	534	27	0	1358
08:00	14	3	10	1	11	144	11	1	24	1	6	0	22	107	9	1	365
08:15	4	1	6	0	12	100	13	1	33	3	7	0	32	80	4	0	296
08:30	10	0	15	0	8	106	11	0	21	1	4	0	22	70	3	0	271
08:45	11	0	10	0	11	89	10	0	32	2	10	0	25	85	6	0	291
Total	39	4	41	1	42	439	45	2	110	7	27	0	101	342	22	1	1223
*** BREAK ***																	
11:00	10	2	10	0	9	78	9	0	24	7	10	0	19	108	8	0	294
11:15	16	4	14	0	11	81	7	0	30	4	8	1	12	85	12	0	285
11:30	13	7	10	0	18	84	11	0	38	4	12	0	21	104	13	0	335
11:45	14	4	11	0	21	116	17	0	41	5	17	0	24	114	12	1	397
Total	53	17	45	0	59	359	44	0	133	20	47	1	76	411	45	1	1311
12:00	12	7	15	0	24	101	12	0	41	7	10	0	17	89	6	1	342
12:15	11	5	14	0	11	89	3	0	51	6	21	0	18	97	7	0	333
12:30	6	4	7	1	8	102	6	0	38	8	14	0	22	96	7	1	320
12:45	18	2	15	0	15	100	9	0	33	5	15	0	22	92	18	1	345
Total	47	18	51	1	58	392	30	0	163	26	60	0	79	374	38	3	1340
*** BREAK ***																	
15:00	18	3	18	0	7	137	12	0	48	2	8	0	16	124	18	0	411
15:15	9	4	15	0	12	132	7	0	55	7	14	1	24	108	5	0	393
15:30	12	4	15	0	11	109	10	1	50	2	16	0	31	140	17	0	418
15:45	13	5	20	0	9	132	4	0	47	5	11	0	27	135	17	2	427
Total	52	16	68	0	39	510	33	1	200	16	49	1	98	507	57	2	1649
16:00	9	4	22	0	5	134	2	0	34	3	15	2	29	174	22	0	455
16:15	10	6	20	0	6	116	9	3	65	5	17	1	26	152	16	3	455
16:30	8	6	21	0	6	141	5	0	44	4	12	0	42	163	22	2	476
16:45	14	2	35	0	16	116	6	0	43	1	9	0	37	175	21	0	475
Total	41	18	98	0	33	507	22	3	186	13	53	3	134	664	81	5	1861
17:00	11	2	32	0	21	100	8	0	61	9	10	1	30	148	18	0	451
17:15	14	5	17	0	11	106	8	0	47	6	15	0	27	161	33	0	450
17:30	23	4	21	0	18	80	12	0	37	6	22	0	32	180	19	0	454
17:45	16	9	14	0	19	94	2	0	46	4	17	0	32	213	22	0	488
Total	64	20	84	0	69	380	30	0	191	25	64	1	121	702	92	0	1843



MINNESOTA DEPT OF TRANSPORTATION
 TRAFFIC DATA COLLECTION - METRO

TH-95 AT OAKVIEW AVE. (N BRANCH) File Name : TH-95 AT OAKVIEW AVE - 13TH AVE 2007
 REF.PT.: 054.503 Site Code : 00198754
 DATA COLLECTED BY TDI Start Date : 6/5/2007
 TURN MOVEMENT COUNT Page No : 2

Groups Printed- Unshifted

	13TH AVE. Southbound				MN-95 Westbound				Oakview Ave Northbound				MN-95 Eastbound				Int. Total
	Left	Thru	Right	Peds	Left	Thru	Right	Peds	Left	Thru	Right	Peds	Left	Thru	Right	Peds	
Grand Total	337	97	443	2	356	3453	299	8	1142	117	351	8	732	3800	375	12	11532
Apprch %	38.3	11	50.4	0.2	8.6	83.9	7.3	0.2	70.6	7.2	21.7	0.5	14.9	77.3	7.6	0.2	
Total %	2.9	0.8	3.8	0	3.1	29.9	2.6	0.1	9.9	1	3	0.1	6.3	33	3.3	0.1	



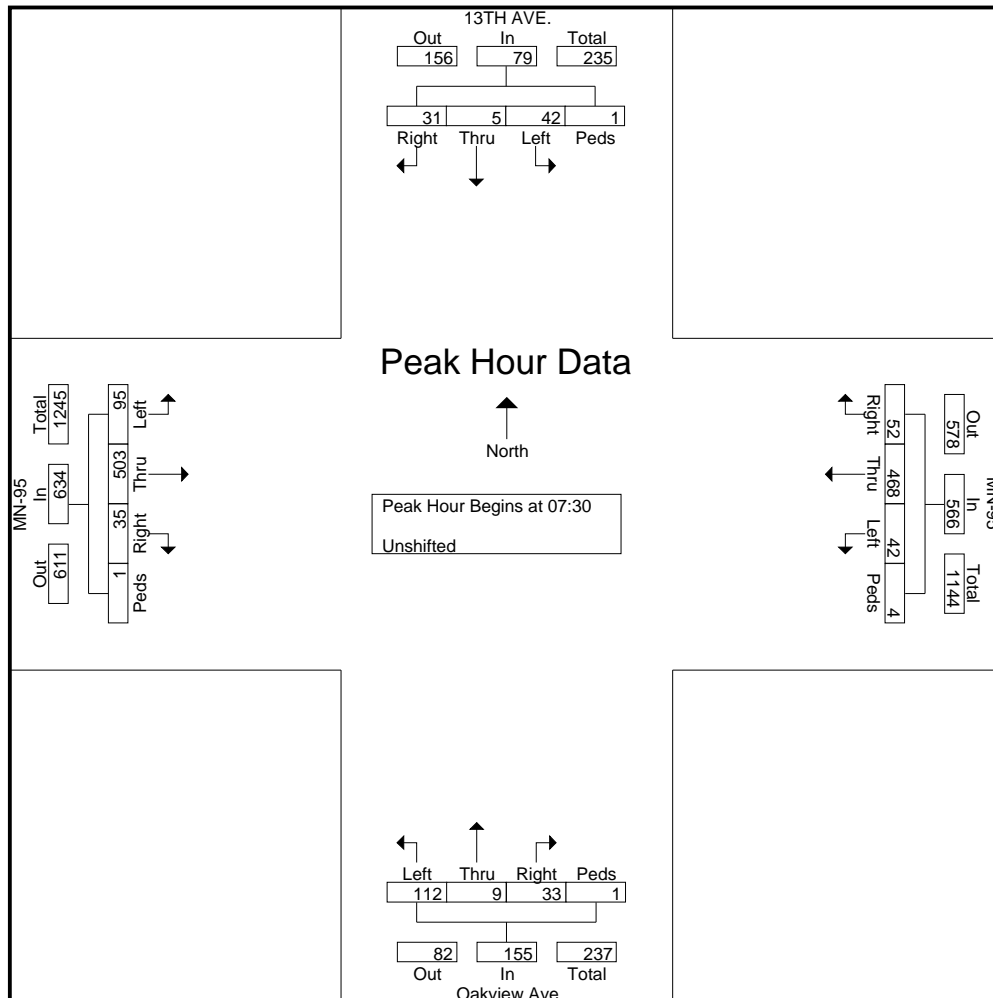
MINNESOTA DEPT OF TRANSPORTATION

TRAFFIC DATA COLLECTION - METRO

TH-95 AT OAKVIEW AVE. (N BRANCH)
 REF.PT.: 054.503
 DATA COLLECTED BY TDI
 TURN MOVEMENT COUNT

File Name : TH-95 AT OAKVIEW AVE - 13TH AVE 2007
 Site Code : 00198754
 Start Date : 6/5/2007
 Page No : 3

Start Time	13TH AVE. Southbound					MN-95 Westbound					Oakview Ave Northbound					MN-95 Eastbound					Int. Total
	Left	Thru	Right	Peds	App. Total	Left	Thru	Right	Peds	App. Total	Left	Thru	Right	Peds	App. Total	Left	Thru	Right	Peds	App. Total	
Peak Hour Analysis From 06:00 to 08:45 - Peak 1 of 1																					
Peak Hour for Entire Intersection Begins at 07:30																					
07:30	9	1	7	0	17	10	112	17	0	139	26	3	10	1	40	19	147	14	0	180	376
07:45	15	0	8	0	23	9	112	11	2	134	29	2	10	0	41	22	169	8	0	199	397
08:00	14	3	10	1	28	11	144	11	1	167	24	1	6	0	31	22	107	9	1	139	365
08:15	4	1	6	0	11	12	100	13	1	126	33	3	7	0	43	32	80	4	0	116	296
Total Volume	42	5	31	1	79	42	468	52	4	566	112	9	33	1	155	95	503	35	1	634	1434
% App. Total	53.2	6.3	39.2	1.3		7.4	82.7	9.2	0.7		72.3	5.8	21.3	0.6		15	79.3	5.5	0.2		
PHF	.700	.417	.775	.250	.705	.875	.813	.765	.500	.847	.848	.750	.825	.250	.901	.742	.744	.625	.250	.796	.903





MINNESOTA DEPT OF TRANSPORTATION

TRAFFIC DATA COLLECTION - METRO

TH-95 AT OAKVIEW AVE. (N BRANCH)
 REF.PT.: 054.503
 DATA COLLECTED BY TDI
 TURN MOVEMENT COUNT

File Name : TH-95 AT OAKVIEW AVE - 13TH AVE 2007
 Site Code : 00198754
 Start Date : 6/5/2007
 Page No : 4

Start Time	13TH AVE. Southbound					MN-95 Westbound					Oakview Ave Northbound					MN-95 Eastbound					Int. Total
	Left	Thru	Right	Peds	App. Total	Left	Thru	Right	Peds	App. Total	Left	Thru	Right	Peds	App. Total	Left	Thru	Right	Peds	App. Total	
Peak Hour Analysis From 15:00 to 17:45 - Peak 1 of 1																					
Peak Hour for Entire Intersection Begins at 16:00																					
16:00	9	4	22	0	35	5	134	2	0	141	34	3	15	2	54	29	174	22	0	225	455
16:15	10	6	20	0	36	6	116	9	3	134	65	5	17	1	88	26	152	16	3	197	455
16:30	8	6	21	0	35	6	141	5	0	152	44	4	12	0	60	42	163	22	2	229	476
16:45	14	2	35	0	51	16	116	6	0	138	43	1	9	0	53	37	175	21	0	233	475
Total Volume	41	18	98	0	157	33	507	22	3	565	186	13	53	3	255	134	664	81	5	884	1861
% App. Total	26.1	11.5	62.4	0		5.8	89.7	3.9	0.5		72.9	5.1	20.8	1.2		15.2	75.1	9.2	0.6		
PHF	.732	.750	.700	.000	.770	.516	.899	.611	.250	.929	.715	.650	.779	.375	.724	.798	.949	.920	.417	.948	.977

