

TRAFFIC DATA

MN 77 & Diffley Rd WR  
 City: Eden Prairie  
 Data by: Flow Labs  
 Turning Movement Count

File Name: MN 77 & Diffley Rd WR 2024  
 Dates: 9/3/2024 - 9/19/24, No Holidays, Average  
 Day of Week: Tuesday, Wednesday, Thursday  
 Page No.: 1

Start Time	MN 77 SB Off-Ramp Southbound				Diffley Rd Westbound				MN 77 SB On-Ramp Northbound				Diffley Rd Eastbound				Int. Total
	Left	Thru	Right	Peds	Left	Thru	Right	Peds	Left	Thru	Right	Peds	Left	Thru	Right	Peds	
0:00	13	0	1	0	0	6	0	0	0	0	0	0	0	5	0	0	25
0:15	8	0	1	0	1	6	0	0	0	0	0	0	0	6	1	0	23
0:30	5	0	1	0	1	0	0	0	0	0	0	0	0	3	1	0	11
0:45	9	0	0	0	1	6	0	0	0	0	0	0	0	3	0	0	19
Total	35	0	3	0	3	18	0	0	0	0	0	0	0	17	2	0	78
1:00	4	0	0	0	1	1	0	0	0	0	0	0	0	5	1	0	12
1:15	6	0	0	0	1	2	0	0	0	0	0	0	0	2	2	0	13
1:30	7	0	0	0	1	2	0	0	0	0	0	0	0	1	1	0	12
1:45	4	0	0	0	2	1	0	0	0	0	0	0	0	1	1	0	9
Total	21	0	0	0	5	6	0	0	0	0	0	0	0	9	5	0	46
2:00	1	0	1	0	1	1	0	0	0	0	0	0	0	3	1	0	8
2:15	1	0	1	0	1	2	0	0	0	0	0	0	0	4	0	0	9
2:30	2	0	1	0	1	2	0	0	0	0	0	0	0	0	0	0	6
2:45	3	0	0	0	0	2	0	0	0	0	0	0	0	1	1	0	7
Total	7	0	3	0	3	7	0	0	0	0	0	0	0	8	2	0	30
3:00	2	0	0	0	1	2	0	0	0	0	0	0	0	3	0	0	8
3:15	0	0	0	0	0	2	0	0	0	0	0	0	0	2	0	0	4
3:30	1	0	1	0	1	0	0	0	0	0	0	0	0	6	0	0	9
3:45	4	0	0	0	2	1	0	0	0	0	0	0	0	2	1	0	10
Total	7	0	1	0	4	5	0	0	0	0	0	0	0	13	1	0	31
4:00	6	0	1	0	1	3	0	0	0	0	0	0	0	2	2	0	15
4:15	8	0	0	0	1	1	0	0	0	0	0	0	0	4	0	0	14
4:30	4	0	0	0	3	11	0	0	0	0	0	0	0	2	2	0	22
4:45	2	0	0	0	3	6	0	0	0	0	0	0	0	4	0	0	15
Total	20	0	1	0	8	21	0	0	0	0	0	0	0	12	4	0	66

TRAFFIC DATA

MN 77 & Diffley Rd WR  
 City: Eden Prairie  
 Data by: Flow Labs  
 Turning Movement Count

File Name: MN 77 & Diffley Rd WR 2024  
 Dates: 9/3/2024 - 9/19/24, No Holidays, Average  
 Day of Week: Tuesday, Wednesday, Thursday  
 Page No.: 2

Start Time	MN 77 SB Off-Ramp Southbound				Diffley Rd Westbound				MN 77 SB On-Ramp Northbound				Diffley Rd Eastbound				Int. Total
	Left	Thru	Right	Peds	Left	Thru	Right	Peds	Left	Thru	Right	Peds	Left	Thru	Right	Peds	
5:00	6	0	0	0	5	7	0	0	0	0	0	0	0	8	1	0	27
5:15	15	0	1	0	3	17	0	0	0	0	0	0	0	8	1	0	45
5:30	10	1	3	0	4	22	0	0	0	0	0	0	0	13	1	0	54
5:45	16	0	1	0	9	27	0	0	0	0	0	0	0	12	3	0	68
Total	47	1	5	0	21	73	0	0	0	0	0	0	0	41	6	0	194
6:00	13	0	0	0	10	24	0	0	0	0	0	0	0	22	3	0	72
6:15	15	1	2	0	12	17	0	0	0	0	0	0	0	39	7	0	93
6:30	23	0	1	0	27	22	0	1	0	0	0	0	0	73	2	0	149
6:45	56	1	1	0	16	45	0	0	0	0	0	0	0	80	16	0	215
Total	107	2	4	0	65	108	0	1	0	0	0	0	0	214	28	0	529
7:00	40	0	2	0	12	57	0	0	0	0	0	0	0	111	14	0	236
7:15	71	1	3	0	37	71	0	0	0	0	0	0	0	123	16	0	322
7:30	67	0	4	0	45	130	0	1	0	0	0	0	0	76	13	0	336
7:45	52	0	6	0	38	110	0	0	0	0	0	0	0	124	18	0	348
Total	230	1	15	0	132	368	0	1	0	0	0	0	0	434	61	0	1242
8:00	51	0	5	0	27	93	0	0	0	0	0	0	0	97	12	0	285
8:15	50	0	5	0	32	66	0	0	0	0	0	0	0	73	12	1	239
8:30	59	0	2	0	22	67	0	0	0	0	0	0	0	77	8	0	235
8:45	63	1	8	0	23	60	0	0	0	0	0	0	0	89	9	0	253
Total	223	1	20	0	104	286	0	0	0	0	0	0	0	336	41	1	1012
9:00	44	1	4	0	20	54	0	0	0	0	0	0	0	82	12	0	217
9:15	52	0	4	0	23	67	0	0	0	0	0	0	0	80	10	0	236
9:30	52	1	2	0	17	50	0	0	0	0	0	0	0	75	7	0	204
9:45	51	1	5	0	24	61	0	0	0	0	0	0	0	75	7	0	224
Total	199	3	15	0	84	232	0	0	0	0	0	0	0	312	36	0	881

TRAFFIC DATA

MN 77 & Diffley Rd WR  
 City: Eden Prairie  
 Data by: Flow Labs  
 Turning Movement Count

File Name: MN 77 & Diffley Rd WR 2024  
 Dates: 9/3/2024 - 9/19/24, No Holidays, Average  
 Day of Week: Tuesday, Wednesday, Thursday  
 Page No.: 3

Start Time	MN 77 SB Off-Ramp Southbound				Diffley Rd Westbound				MN 77 SB On-Ramp Northbound				Diffley Rd Eastbound				Int. Total
	Left	Thru	Right	Peds	Left	Thru	Right	Peds	Left	Thru	Right	Peds	Left	Thru	Right	Peds	
10:00	45	1	2	0	25	52	0	0	0	0	0	0	0	64	9	0	198
10:15	61	1	4	0	24	42	0	0	0	0	0	0	0	68	8	0	208
10:30	62	0	3	0	17	45	0	0	0	0	0	0	0	63	12	0	202
10:45	59	1	7	0	36	44	0	1	0	0	0	0	0	65	8	0	221
Total	227	3	16	0	102	183	0	1	0	0	0	0	0	260	37	0	829
11:00	61	1	4	0	27	39	0	0	0	0	0	0	0	65	11	0	208
11:15	66	1	1	0	24	49	0	0	0	0	0	0	0	66	8	0	215
11:30	66	0	4	0	31	52	0	0	0	0	0	0	0	82	9	0	244
11:45	67	0	3	0	29	50	0	0	0	0	0	0	0	71	15	0	235
Total	260	2	12	0	111	190	0	0	0	0	0	0	0	284	43	0	902
12:00	79	0	6	0	38	48	0	0	0	0	0	0	0	79	15	0	265
12:15	66	1	3	0	21	66	0	0	0	0	0	0	0	74	15	0	246
12:30	71	0	3	0	29	57	0	0	0	0	0	0	0	82	8	0	250
12:45	74	0	5	0	45	57	0	0	0	0	0	0	0	68	13	0	262
Total	290	1	17	0	133	228	0	0	0	0	0	0	0	303	51	0	1023
13:00	73	0	3	0	33	55	0	0	0	0	0	0	0	78	9	0	251
13:15	72	1	7	0	38	54	0	1	0	0	0	0	0	75	10	0	258
13:30	73	1	7	0	36	51	0	0	0	0	0	0	0	93	14	0	275
13:45	81	2	11	0	40	57	0	0	0	0	0	0	0	95	11	0	297
Total	299	4	28	0	147	217	0	1	0	0	0	0	0	341	44	0	1081
14:00	80	0	6	0	39	57	0	0	0	0	0	0	0	102	19	0	303
14:15	120	1	3	0	41	86	0	0	0	0	0	0	0	106	13	0	370
14:30	96	1	6	0	53	82	0	1	0	0	0	0	0	108	14	0	361
14:45	118	3	4	0	53	103	0	0	0	0	0	0	0	142	16	13	452
Total	414	5	19	0	186	328	0	1	0	0	0	0	0	458	62	13	1486

TRAFFIC DATA

MN 77 & Diffley Rd WR  
 City: Eden Prairie  
 Data by: Flow Labs  
 Turning Movement Count

File Name: MN 77 & Diffley Rd WR 2024  
 Dates: 9/3/2024 - 9/19/24, No Holidays, Average  
 Day of Week: Tuesday, Wednesday, Thursday  
 Page No.: 4

Start Time	MN 77 SB Off-Ramp Southbound				Diffley Rd Westbound				MN 77 SB On-Ramp Northbound				Diffley Rd Eastbound				Int. Total
	Left	Thru	Right	Peds	Left	Thru	Right	Peds	Left	Thru	Right	Peds	Left	Thru	Right	Peds	
15:00	110	2	4	0	54	103	0	0	0	0	0	0	0	97	14	3	387
15:15	123	1	6	0	61	88	0	0	0	0	0	0	0	125	13	0	417
15:30	125	1	7	0	50	88	0	1	0	0	0	0	0	103	20	0	395
15:45	122	1	4	0	57	102	0	0	0	0	0	0	0	104	19	0	409
Total	480	5	21	0	222	381	0	1	0	0	0	0	0	429	66	3	1608
16:00	131	1	6	0	55	111	0	0	0	0	0	0	0	106	9	0	419
16:15	136	1	5	0	54	95	0	0	0	0	0	0	0	131	17	1	440
16:30	194	1	12	0	51	106	0	0	0	0	0	0	0	109	21	0	494
16:45	149	0	12	0	62	97	0	0	0	0	0	0	0	113	23	4	460
Total	610	3	35	0	222	409	0	0	0	0	0	0	0	459	70	5	1813
17:00	156	2	7	0	48	100	0	0	0	0	0	0	0	109	22	1	445
17:15	175	1	11	0	57	128	0	0	0	0	0	0	0	106	15	0	493
17:30	186	2	8	0	47	102	0	0	0	0	0	0	0	105	15	0	465
17:45	143	1	4	0	51	92	0	2	0	0	0	0	0	92	13	0	398
Total	660	6	30	0	203	422	0	2	0	0	0	0	0	412	65	1	1801
18:00	117	0	6	0	36	84	0	0	0	0	0	0	0	74	15	0	332
18:15	105	2	9	0	43	70	0	0	0	0	0	0	0	70	15	0	314
18:30	105	3	5	0	40	56	0	0	0	0	0	0	0	63	11	0	283
18:45	87	1	5	0	38	68	0	0	0	0	0	0	0	60	11	0	270
Total	414	6	25	0	157	278	0	0	0	0	0	0	0	267	52	0	1199
19:00	72	1	4	0	36	54	0	0	0	0	0	0	0	46	12	0	225
19:15	65	1	4	0	31	44	0	0	0	0	0	0	0	49	9	0	203
19:30	63	1	1	0	38	51	0	0	0	0	0	0	0	34	11	0	199
19:45	61	0	2	0	29	30	0	0	0	0	0	0	0	51	6	0	179
Total	261	3	11	0	134	179	0	0	0	0	0	0	0	180	38	0	806

TRAFFIC DATA

MN 77 & Diffley Rd WR  
 City: Eden Prairie  
 Data by: Flow Labs  
 Turning Movement Count

File Name: MN 77 & Diffley Rd WR 2024  
 Dates: 9/3/2024 - 9/19/24, No Holidays, Average  
 Day of Week: Tuesday, Wednesday, Thursday  
 Page No.: 5

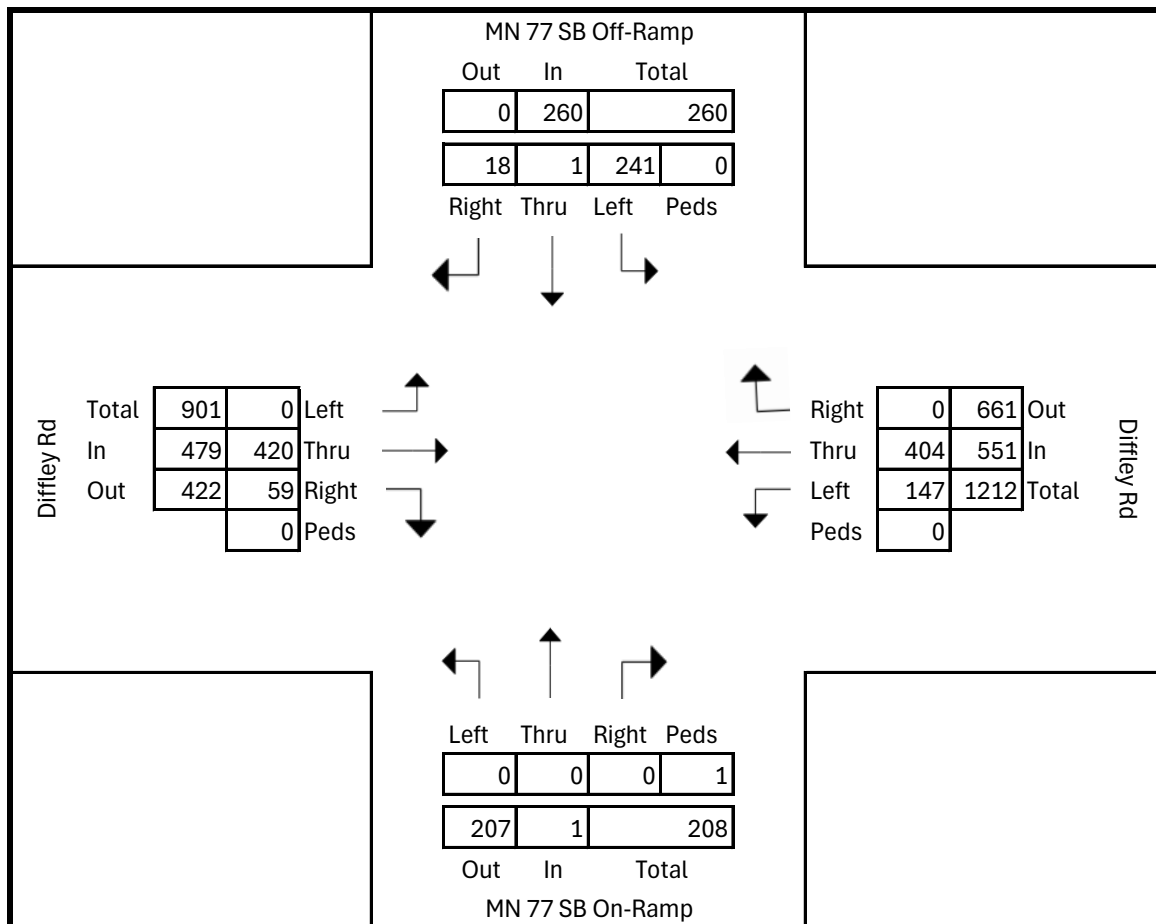
Start Time	MN 77 SB Off-Ramp Southbound				Diffley Rd Westbound				MN 77 SB On-Ramp Northbound				Diffley Rd Eastbound				Int. Total
	Left	Thru	Right	Peds	Left	Thru	Right	Peds	Left	Thru	Right	Peds	Left	Thru	Right	Peds	
20:00	72	1	2	0	30	34	0	0	0	0	0	0	0	38	7	0	184
20:15	72	1	1	0	30	45	0	0	0	0	0	0	0	40	6	0	195
20:30	62	0	2	0	19	31	0	0	0	0	0	0	0	35	4	0	153
20:45	50	0	4	0	18	20	0	0	0	0	0	0	0	35	3	0	130
Total	256	2	9	0	97	130	0	0	0	0	0	0	0	148	20	0	662
21:00	54	1	4	0	24	28	0	0	0	0	0	0	0	33	3	0	147
21:15	60	0	3	0	14	28	0	0	0	0	0	0	0	39	7	0	151
21:30	51	1	4	0	16	30	0	0	0	0	0	0	0	19	4	0	125
21:45	40	0	2	0	14	16	0	0	0	0	0	0	0	22	3	0	97
Total	205	2	13	0	68	102	0	0	0	0	0	0	0	113	17	0	520
22:00	36	0	3	0	9	18	0	0	0	0	0	0	0	31	1	0	98
22:15	33	0	2	0	6	20	0	0	0	0	0	0	0	11	1	0	73
22:30	33	0	1	0	4	12	0	0	0	0	0	0	0	14	1	0	65
22:45	24	0	1	0	2	15	0	0	0	0	0	0	0	12	1	0	55
Total	126	0	7	0	21	65	0	0	0	0	0	0	0	68	4	0	291
23:00	25	1	2	0	7	8	0	0	0	0	0	0	0	15	1	0	59
23:15	17	1	2	0	4	8	0	0	0	0	0	0	0	11	2	0	45
23:30	20	0	1	0	4	6	0	0	0	0	0	0	0	4	1	0	36
23:45	14	0	2	0	2	4	0	0	0	0	0	0	0	12	2	0	36
Total	76	2	7	0	17	26	0	0	0	0	0	0	0	42	6	0	176
Grand Total	5474	52	317	0	2249	4262	0	8	0	0	0	0	0	5160	761	23	18306
Apprch %	93.7	0.89	5.43	0	34.5	65.4	0	0.12	-	-	-	-	0	86.8	12.8	0.39	
Total %	0.3	0	0.02	0	0.12	0.23	0	0	0	0	0	0	0	0.28	0.04	0	

TRAFFIC DATA

MN 77 & Diffley Rd WR  
City: Eden Prairie  
Data by: Flow Labs  
Turning Movement Count

File Name: MN 77 & Diffley Rd WR 2024  
Dates: 9/3/2024 - 9/19/24, No Holidays, Average  
Day of Week: Tuesday, Wednesday, Thursday  
Page No.: 6

AM PEAK	MN 77 SB Off-Ramp Southbound				Diffley Rd Westbound				MN 77 SB On-Ramp Northbound				Diffley Rd Eastbound				Int. Total
	Left	Thru	Right	Peds	Left	Thru	Right	Peds	Left	Thru	Right	Peds	Left	Thru	Right	Peds	
7:15	71	1	3	0	37	71	0	0	0	0	0	0	0	123	16	0	322
7:30	67	0	4	0	45	130	0	0	0	0	0	1	0	76	13	0	336
7:45	52	0	6	0	38	110	0	0	0	0	0	0	0	124	18	0	348
8:00	51	0	5	0	27	93	0	0	0	0	0	0	0	97	12	0	285
Total Volume	241	1	18	0	147	404	0	0	0	0	0	1	0	420	59	0	1291
% App. Total	92.7	0.38	6.92	0	26.7	73.3	0	0	-	-	-	-	0	87.7	12.3	0	
PHF	0.85	0.25	0.75	0	0.82	0.78	-	0	-	-	-	-	-	0.85	0.82	0	0.93
App. PHF	0.87				0.79				-				0.84				

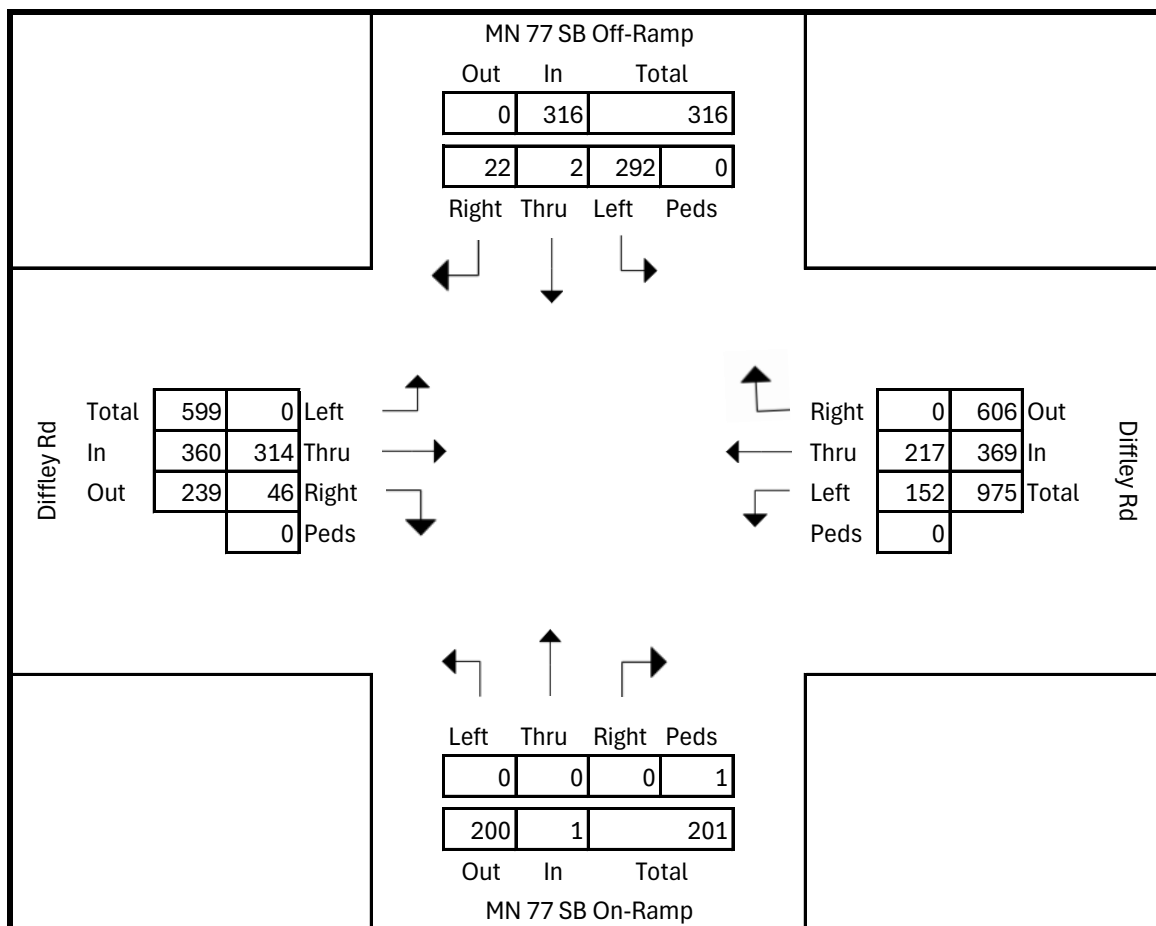


TRAFFIC DATA

MN 77 & Diffley Rd WR  
City: Eden Prairie  
Data by: Flow Labs  
Turning Movement Count

File Name: MN 77 & Diffley Rd WR 2024  
Dates: 9/3/2024 - 9/19/24, No Holidays, Average  
Day of Week: Tuesday, Wednesday, Thursday  
Page No.: 7

MID PEAK	MN 77 SB Off-Ramp Southbound				Diffley Rd Westbound				MN 77 SB On-Ramp Northbound				Diffley Rd Eastbound				Int. Total
	Left	Thru	Right	Peds	Left	Thru	Right	Peds	Left	Thru	Right	Peds	Left	Thru	Right	Peds	
12:45	74	0	5	0	45	57	0	0	0	0	0	0	0	68	13	0	262
13:00	73	0	3	0	33	55	0	0	0	0	0	0	0	78	9	0	251
13:15	72	1	7	0	38	54	0	0	0	0	0	1	0	75	10	0	258
13:30	73	1	7	0	36	51	0	0	0	0	0	0	0	93	14	0	275
Total Volume	292	2	22	0	152	217	0	0	0	0	0	1	0	314	46	0	1046
% App. Total	92.4	0.63	6.96	0	41.2	58.8	0	0	-	-	-	-	0	87.2	12.8	0	
PHF	0.99	0.5	0.79	0	0.84	0.95	-	0	-	-	-	-	-	0.84	0.82	0	0.95
App. PHF	0.98				0.90				-				0.84				

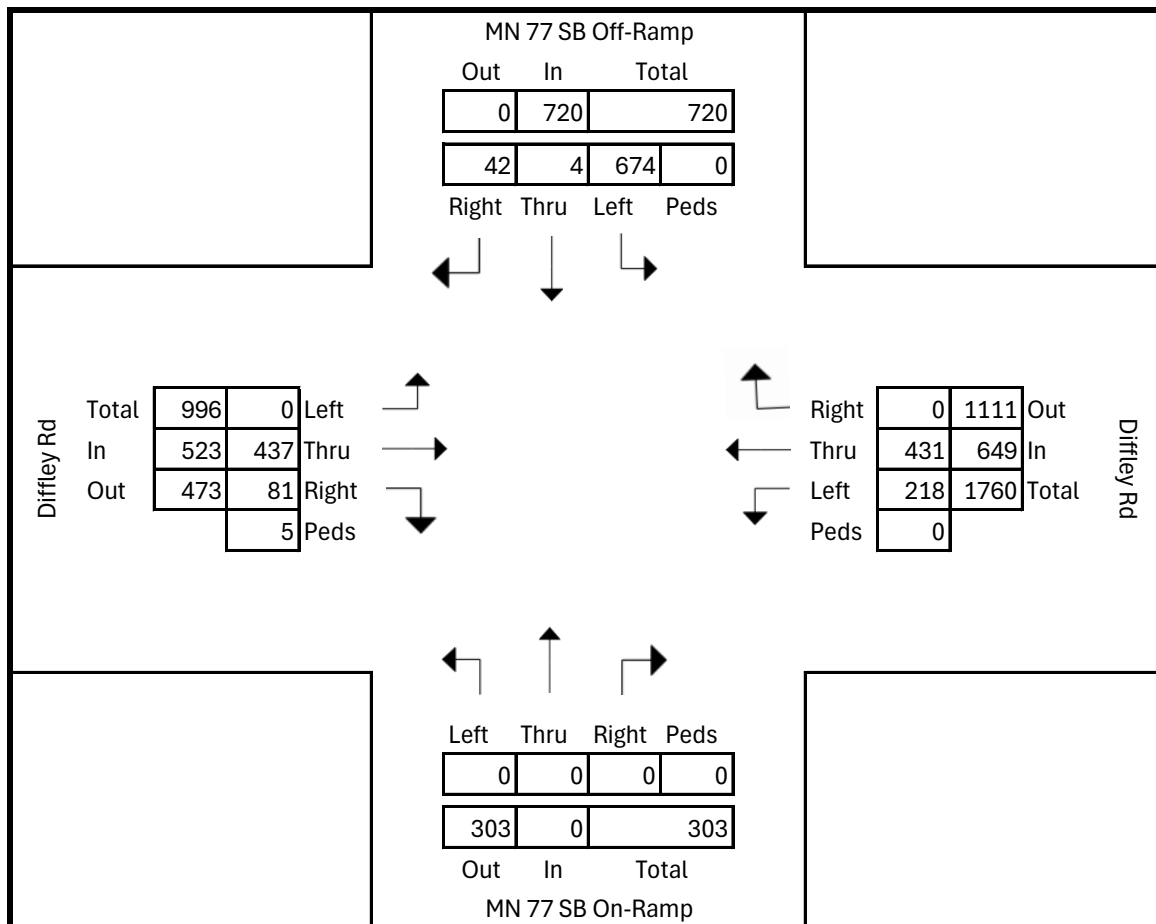


TRAFFIC DATA

MN 77 & Diffley Rd WR  
City: Eden Prairie  
Data by: Flow Labs  
Turning Movement Count

File Name: MN 77 & Diffley Rd WR 2024  
Dates: 9/3/2024 - 9/19/24, No Holidays, Average  
Day of Week: Tuesday, Wednesday, Thursday  
Page No.: 8

PM PEAK	MN 77 SB Off-Ramp Southbound				Diffley Rd Westbound				MN 77 SB On-Ramp Northbound				Diffley Rd Eastbound				Int. Total
	Left	Thru	Right	Peds	Left	Thru	Right	Peds	Left	Thru	Right	Peds	Left	Thru	Right	Peds	
16:30	194	1	12	0	51	106	0	0	0	0	0	0	0	109	21	0	494
16:45	149	0	12	0	62	97	0	0	0	0	0	0	0	113	23	4	460
17:00	156	2	7	0	48	100	0	0	0	0	0	0	0	109	22	1	445
17:15	175	1	11	0	57	128	0	0	0	0	0	0	0	106	15	0	493
Total Volume	674	4	42	0	218	431	0	0	0	0	0	0	0	437	81	5	1892
% App. Total	93.6	0.56	5.83	0	33.6	66.4	0	0	-	-	-	-	0	83.6	15.5	0.96	
PHF	0.87	0.5	0.88	0	0.88	0.84	-	0	-	-	-	-	-	0.97	0.88	0.31	0.96
App. PHF	0.87				0.88				-				0.93				





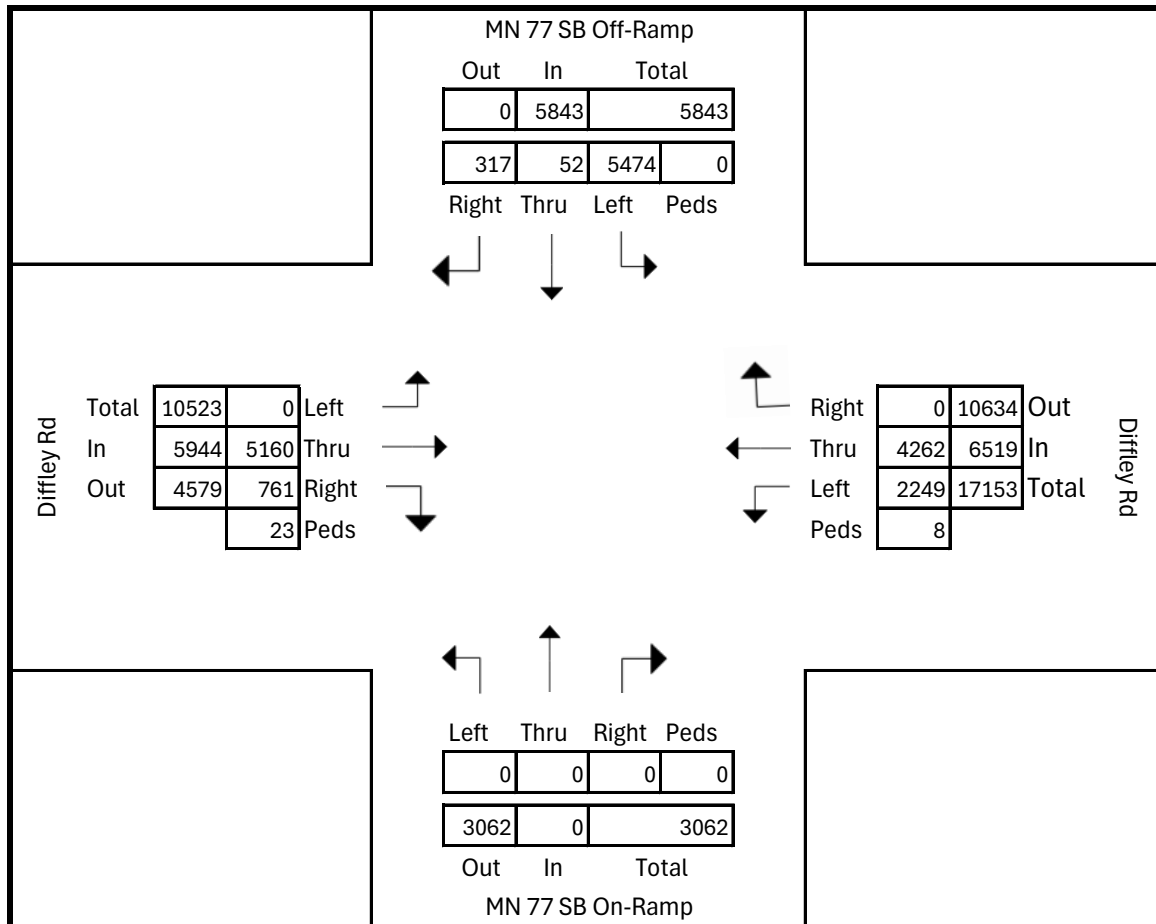
Mead & Hunt, Inc.  
Bloomington, MN 55425

TRAFFIC DATA

MN 77 & Diffley Rd WR  
City: Eden Prairie  
Data by: Flow Labs  
Turning Movement Count

File Name: MN 77 & Diffley Rd WR 2024  
Dates: 9/3/2024 - 9/19/24, No Holidays, Average  
Day of Week: Tuesday, Wednesday, Thursday  
Page No.: 9

24 HOUR	MN 77 SB Off-Ramp Southbound				Diffley Rd Westbound				MN 77 SB On-Ramp Northbound				Diffley Rd Eastbound				Int. Total
	Left	Thru	Right	Peds	Left	Thru	Right	Peds	Left	Thru	Right	Peds	Left	Thru	Right	Peds	
Total Volume	5474	52	317	0	2249	4262	0	8	0	0	0	0	0	5160	761	23	18306
% App. Total	93.7	0.89	5.43	0	34.5	65.4	0	0.12	-	-	-	-	0	86.8	12.8	0.39	



Mead & Hunt, Inc.  
Bloomington, MN 55425

TRAFFIC DATA

MN 77 & Diffley Rd WR  
City: Eden Prairie  
Data by: Flow Labs  
Turning Movement Count

File Name: MN 77 & Diffley Rd WR 2024  
Dates: 9/3/2024 - 9/19/24, No Holidays, Average  
Day of Week: Tuesday, Wednesday, Thursday  
Page No.: 10

Intersection Volume By Time Of Day

