

TRAFFIC DATA

MN 77 & Diffley Rd ER
 City: Eden Prairie
 Data by: Flow Labs
 Turning Movement Count

File Name: MN 77 & Diffley Rd ER 2024
 Dates: 9/3/2024 - 9/19/24, No Holidays, Average
 Day of Week: Tuesday, Wednesday, Thursday
 Page No.: 1

Start Time	MN 77 NB On-Ramp Southbound				Diffley Rd Westbound				MN 77 NB Off-Ramp Northbound				Diffley Rd Eastbound				Int. Total
	Left	Thru	Right	Peds	Left	Thru	Right	Peds	Left	Thru	Right	Peds	Left	Thru	Right	Peds	
0:00	0	0	0	0	0	3	9	0	4	0	1	0	1	19	0	0	37
0:15	0	0	0	0	0	5	6	0	0	0	2	0	1	15	0	0	29
0:30	0	0	0	0	0	2	9	0	0	0	3	0	0	9	0	0	23
0:45	0	0	0	0	0	5	4	0	2	0	1	0	0	10	0	0	22
Total	0	0	0	0	0	15	28	0	6	0	7	0	2	53	0	0	111
1:00	0	0	0	0	0	2	4	0	0	0	1	0	0	9	0	0	16
1:15	0	0	0	0	0	2	3	0	1	0	1	0	0	8	0	0	15
1:30	0	0	0	0	0	3	3	0	0	0	0	0	1	8	0	0	15
1:45	0	0	0	0	0	2	3	0	0	0	1	0	0	6	0	0	12
Total	0	0	0	0	0	9	13	0	1	0	3	0	1	31	0	0	58
2:00	0	0	0	0	0	2	1	0	0	0	0	0	0	4	0	0	7
2:15	0	0	0	0	0	2	4	0	1	0	0	0	1	4	0	0	12
2:30	0	0	0	0	0	4	2	0	0	0	0	0	0	2	0	0	8
2:45	0	0	0	0	0	2	3	0	0	0	2	0	0	3	0	0	10
Total	0	0	0	0	0	10	10	0	1	0	2	0	1	13	0	0	37
3:00	0	0	0	0	0	3	2	0	0	0	2	0	0	4	0	0	11
3:15	0	0	0	0	0	2	4	0	0	0	1	0	0	1	0	0	8
3:30	0	0	0	0	0	2	6	0	0	0	2	0	0	7	0	0	17
3:45	0	0	0	0	0	2	13	0	1	0	0	0	0	6	0	0	22
Total	0	0	0	0	0	9	25	0	1	0	5	0	0	18	0	0	58
4:00	0	0	0	0	0	3	3	0	0	0	1	0	0	8	0	0	15
4:15	0	0	0	0	0	1	13	0	1	0	2	0	1	10	0	0	28
4:30	0	0	0	0	0	14	19	0	0	0	1	0	1	7	0	0	42
4:45	0	0	0	0	0	9	20	0	0	1	3	0	0	6	0	0	39
Total	0	0	0	0	0	27	55	0	1	1	7	0	2	31	0	0	124

TRAFFIC DATA

MN 77 & Diffley Rd ER
 City: Eden Prairie
 Data by: Flow Labs
 Turning Movement Count

File Name: MN 77 & Diffley Rd ER 2024
 Dates: 9/3/2024 - 9/19/24, No Holidays, Average
 Day of Week: Tuesday, Wednesday, Thursday
 Page No.: 2

Start Time	MN 77 NB On-Ramp Southbound				Diffley Rd Westbound				MN 77 NB Off-Ramp Northbound				Diffley Rd Eastbound				Int. Total
	Left	Thru	Right	Peds	Left	Thru	Right	Peds	Left	Thru	Right	Peds	Left	Thru	Right	Peds	
5:00	0	0	0	0	0	13	23	0	0	0	1	0	1	13	0	0	51
5:15	0	0	0	0	0	18	25	0	1	0	1	0	1	23	0	0	69
5:30	0	0	0	0	0	26	44	0	1	0	3	0	3	21	0	0	98
5:45	0	0	0	0	0	33	43	0	2	0	4	0	1	29	0	0	112
Total	0	0	0	0	0	90	135	0	4	0	9	0	6	86	0	0	330
6:00	0	0	0	0	0	34	58	0	0	0	4	0	2	34	0	0	132
6:15	0	0	0	0	0	23	90	0	2	0	3	0	2	52	0	0	172
6:30	0	0	0	0	0	44	82	1	3	1	8	0	2	94	0	0	235
6:45	0	0	0	0	0	52	103	0	6	0	18	0	6	126	0	0	311
Total	0	0	0	0	0	153	333	1	11	1	33	0	12	306	0	0	850
7:00	0	0	0	0	0	58	170	0	11	0	46	0	6	151	0	0	442
7:15	0	0	0	0	0	99	255	0	4	1	34	0	10	196	0	0	599
7:30	0	0	0	0	0	167	276	1	6	0	34	1	6	141	0	0	632
7:45	0	0	0	0	0	140	234	0	7	1	27	0	4	162	0	0	575
Total	0	0	0	0	0	464	935	1	28	2	141	1	26	650	0	0	2248
8:00	0	0	0	0	0	114	193	0	5	1	44	0	7	146	0	0	510
8:15	0	0	0	0	0	89	209	0	9	0	28	0	7	115	0	0	457
8:30	0	0	0	0	0	83	158	0	4	0	34	0	3	133	0	0	415
8:45	0	0	0	0	0	77	148	0	4	1	34	0	4	150	0	0	418
Total	0	0	0	0	0	363	708	0	22	2	140	0	21	544	0	0	1800
9:00	0	0	0	0	0	67	125	0	9	1	35	0	6	123	0	0	366
9:15	0	0	0	0	0	87	151	0	7	0	36	0	6	129	0	0	416
9:30	0	0	0	0	0	60	106	0	7	0	35	0	8	127	0	0	343
9:45	0	0	0	0	0	79	81	0	8	1	41	0	5	122	0	0	337
Total	0	0	0	0	0	293	463	0	31	2	147	0	25	501	0	0	1462

TRAFFIC DATA

MN 77 & Diffley Rd ER
 City: Eden Prairie
 Data by: Flow Labs
 Turning Movement Count

File Name: MN 77 & Diffley Rd ER 2024
 Dates: 9/3/2024 - 9/19/24, No Holidays, Average
 Day of Week: Tuesday, Wednesday, Thursday
 Page No.: 3

Start Time	MN 77 NB On-Ramp Southbound				Diffley Rd Westbound				MN 77 NB Off-Ramp Northbound				Diffley Rd Eastbound				Int. Total
	Left	Thru	Right	Peds	Left	Thru	Right	Peds	Left	Thru	Right	Peds	Left	Thru	Right	Peds	
10:00	0	0	0	0	0	68	79	0	9	1	28	0	7	113	0	0	305
10:15	0	0	0	0	0	60	97	0	4	0	27	0	3	133	0	0	324
10:30	0	0	0	0	0	54	101	0	8	0	35	0	4	123	0	0	325
10:45	0	0	0	0	0	75	83	1	6	0	22	0	3	121	0	0	311
Total	0	0	0	0	0	257	360	1	27	1	112	0	17	490	0	0	1265
11:00	0	0	0	0	0	61	93	0	4	1	31	0	6	120	0	0	316
11:15	0	0	0	0	0	66	87	0	7	1	33	0	6	132	0	0	332
11:30	0	0	0	0	0	77	109	0	4	0	38	0	5	139	0	0	372
11:45	0	0	0	0	0	73	102	0	4	0	39	0	6	142	0	0	366
Total	0	0	0	0	0	277	391	0	19	2	141	0	23	533	0	0	1386
12:00	0	0	0	0	0	77	97	0	8	1	38	0	9	152	0	0	382
12:15	0	0	0	0	0	78	89	0	6	0	30	0	7	133	0	0	343
12:30	0	0	0	0	0	75	106	0	8	0	39	0	4	160	0	0	392
12:45	0	0	0	0	0	94	85	0	7	1	34	0	3	141	0	0	365
Total	0	0	0	0	0	324	377	0	29	2	141	0	23	586	0	0	1482
13:00	0	0	0	0	0	82	97	0	7	0	30	0	6	150	0	0	372
13:15	0	0	0	0	0	84	90	1	7	0	36	0	4	152	0	0	374
13:30	0	0	0	0	0	79	94	0	5	0	30	0	4	154	0	0	366
13:45	0	0	0	0	0	89	103	0	6	0	47	0	4	174	0	0	423
Total	0	0	0	0	0	334	384	1	25	0	143	0	18	630	0	0	1535
14:00	0	0	0	0	0	88	82	0	5	1	39	0	3	194	0	0	412
14:15	0	0	0	0	0	113	107	0	7	0	32	0	2	222	0	0	483
14:30	0	0	0	0	0	131	106	1	5	0	43	0	9	192	0	0	487
14:45	0	0	0	0	0	142	108	0	6	0	30	0	6	260	0	0	552
Total	0	0	0	0	0	474	403	1	23	1	144	0	20	868	0	0	1934

TRAFFIC DATA

MN 77 & Diffley Rd ER
 City: Eden Prairie
 Data by: Flow Labs
 Turning Movement Count

File Name: MN 77 & Diffley Rd ER 2024
 Dates: 9/3/2024 - 9/19/24, No Holidays, Average
 Day of Week: Tuesday, Wednesday, Thursday
 Page No.: 4

Start Time	MN 77 NB On-Ramp Southbound				Diffley Rd Westbound				MN 77 NB Off-Ramp Northbound				Diffley Rd Eastbound				Int. Total
	Left	Thru	Right	Peds	Left	Thru	Right	Peds	Left	Thru	Right	Peds	Left	Thru	Right	Peds	
15:00	0	0	0	0	0	137	118	0	11	0	31	0	4	205	0	16	522
15:15	0	0	0	0	0	145	124	0	10	0	37	0	4	259	0	0	579
15:30	0	0	0	0	0	127	108	0	9	0	40	0	7	235	0	0	526
15:45	0	0	0	0	0	150	102	0	11	1	46	0	3	226	0	0	539
Total	0	0	0	0	0	559	452	0	41	1	154	0	18	925	0	16	2166
16:00	0	0	0	0	0	150	106	0	12	1	49	0	4	239	0	0	561
16:15	0	0	0	0	0	138	105	0	10	1	61	0	4	266	0	1	586
16:30	0	0	0	0	0	144	131	0	13	0	47	0	4	312	0	0	651
16:45	0	0	0	0	0	148	124	0	9	0	47	0	6	269	0	4	607
Total	0	0	0	0	0	580	466	0	44	2	204	0	18	1086	0	5	2405
17:00	0	0	0	0	0	132	136	0	19	0	36	0	6	264	0	1	594
17:15	0	0	0	0	0	159	129	0	16	1	52	0	4	287	0	2	650
17:30	0	0	0	0	0	126	153	0	18	0	45	0	6	304	0	0	652
17:45	0	0	0	0	0	131	118	0	13	0	45	0	5	245	0	1	558
Total	0	0	0	0	0	548	536	0	66	1	178	0	21	1100	0	4	2454
18:00	0	0	0	0	0	111	110	0	9	0	39	0	7	198	0	0	474
18:15	0	0	0	0	0	106	106	0	8	0	40	0	5	181	0	0	446
18:30	0	0	0	0	0	86	92	0	8	0	27	0	6	173	0	0	392
18:45	0	0	0	0	0	93	91	0	9	1	38	0	4	152	0	0	388
Total	0	0	0	0	0	396	399	0	34	1	144	0	22	704	0	0	1700
19:00	0	0	0	0	0	86	85	0	7	1	24	0	3	122	0	0	328
19:15	0	0	0	0	0	71	61	0	6	0	18	0	1	114	0	0	271
19:30	0	0	0	0	0	81	72	0	7	0	18	0	3	103	0	0	284
19:45	0	0	0	0	0	54	73	0	5	0	20	0	2	110	0	0	264
Total	0	0	0	0	0	292	291	0	25	1	80	0	9	449	0	0	1147

TRAFFIC DATA

MN 77 & Diffley Rd ER
 City: Eden Prairie
 Data by: Flow Labs
 Turning Movement Count

File Name: MN 77 & Diffley Rd ER 2024
 Dates: 9/3/2024 - 9/19/24, No Holidays, Average
 Day of Week: Tuesday, Wednesday, Thursday
 Page No.: 5

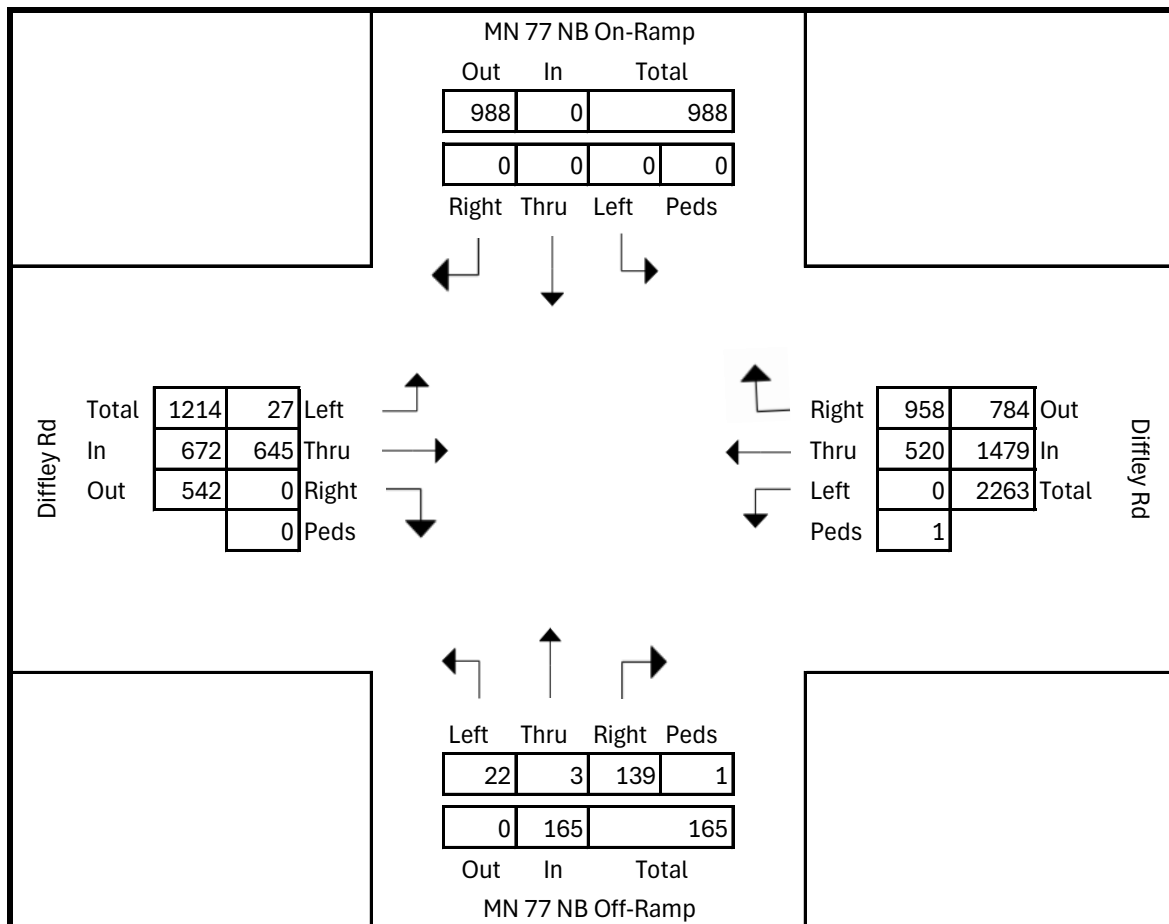
Start Time	MN 77 NB On-Ramp Southbound				Diffley Rd Westbound				MN 77 NB Off-Ramp Northbound				Diffley Rd Eastbound				Int. Total
	Left	Thru	Right	Peds	Left	Thru	Right	Peds	Left	Thru	Right	Peds	Left	Thru	Right	Peds	
20:00	0	0	0	0	0	59	73	0	7	0	18	0	2	113	0	0	272
20:15	0	0	0	0	0	70	69	0	5	0	21	0	3	115	0	0	283
20:30	0	0	0	0	0	49	47	0	3	0	19	0	3	91	0	0	212
20:45	0	0	0	0	0	34	40	0	3	0	18	0	3	89	0	0	187
Total	0	0	0	0	0	212	229	0	18	0	76	0	11	408	0	0	954
21:00	0	0	0	0	0	41	49	0	9	0	12	0	3	87	0	0	201
21:15	0	0	0	0	0	40	45	0	4	0	11	0	1	93	0	0	194
21:30	0	0	0	0	0	43	24	0	3	1	8	0	2	76	0	0	157
21:45	0	0	0	0	0	27	21	0	2	0	10	0	1	61	0	0	122
Total	0	0	0	0	0	151	139	0	18	1	41	0	7	317	0	0	674
22:00	0	0	0	0	0	24	27	0	3	0	9	0	1	70	0	0	134
22:15	0	0	0	0	0	24	21	0	2	1	9	0	0	45	0	0	102
22:30	0	0	0	0	0	15	21	0	1	0	8	0	0	46	0	0	91
22:45	0	0	0	0	0	17	17	0	2	0	7	0	1	38	0	0	82
Total	0	0	0	0	0	80	86	0	8	1	33	0	2	199	0	0	409
23:00	0	0	0	0	0	14	14	0	2	0	4	0	0	39	0	0	73
23:15	0	0	0	0	0	10	13	0	2	0	8	0	2	28	0	0	63
23:30	0	0	0	0	0	9	14	0	2	1	6	0	1	25	0	0	58
23:45	0	0	0	0	0	5	4	0	0	0	2	0	1	23	0	0	35
Total	0	0	0	0	0	38	45	0	6	1	20	0	4	115	0	0	229
Grand Total	0	0	0	0	0	5955	7263	5	489	23	2105	1	309	10643	0	25	26818
Apprch %	-	-	-	-	0	45	54.9	0.04	18.7	0.88	80.4	0.04	2.81	96.96	0	0.23	
Total %	0	0	0	0	0	0.22	0.27	0	0.02	0	0.08	0	0.01	0.397	0	0	

TRAFFIC DATA

MN 77 & Diffley Rd ER
City: Eden Prairie
Data by: Flow Labs
Turning Movement Count

File Name: MN 77 & Diffley Rd ER 2024
Dates: 9/3/2024 - 9/19/24, No Holidays, Average
Day of Week: Tuesday, Wednesday, Thursday
Page No.: 6

AM PEAK	MN 77 NB On-Ramp Southbound				Diffley Rd Westbound				MN 77 NB Off-Ramp Northbound				Diffley Rd Eastbound				Int. Total
	Left	Thru	Right	Peds	Left	Thru	Right	Peds	Left	Thru	Right	Peds	Left	Thru	Right	Peds	
7:15	0	0	0	0	0	99	255	0	4	1	34	0	10	196	0	0	599
7:30	0	0	0	0	0	167	276	1	6	0	34	1	6	141	0	0	632
7:45	0	0	0	0	0	140	234	0	7	1	27	0	4	162	0	0	575
8:00	0	0	0	0	0	114	193	0	5	1	44	0	7	146	0	0	510
Total Volume	0	0	0	0	0	520	958	1	22	3	139	1	27	645	0	0	2316
% App. Total	-	-	-	-	0	35.2	64.8	0.07	13.3	1.82	84.2	0.61	4.02	95.98	0	0	
PHF	-	-	-	-	-	0.78	0.87	0.25	0.79	0.75	0.79	0.25	0.68	0.823	-	0	0.92
App. PHF		-				0.83				0.83				0.82			



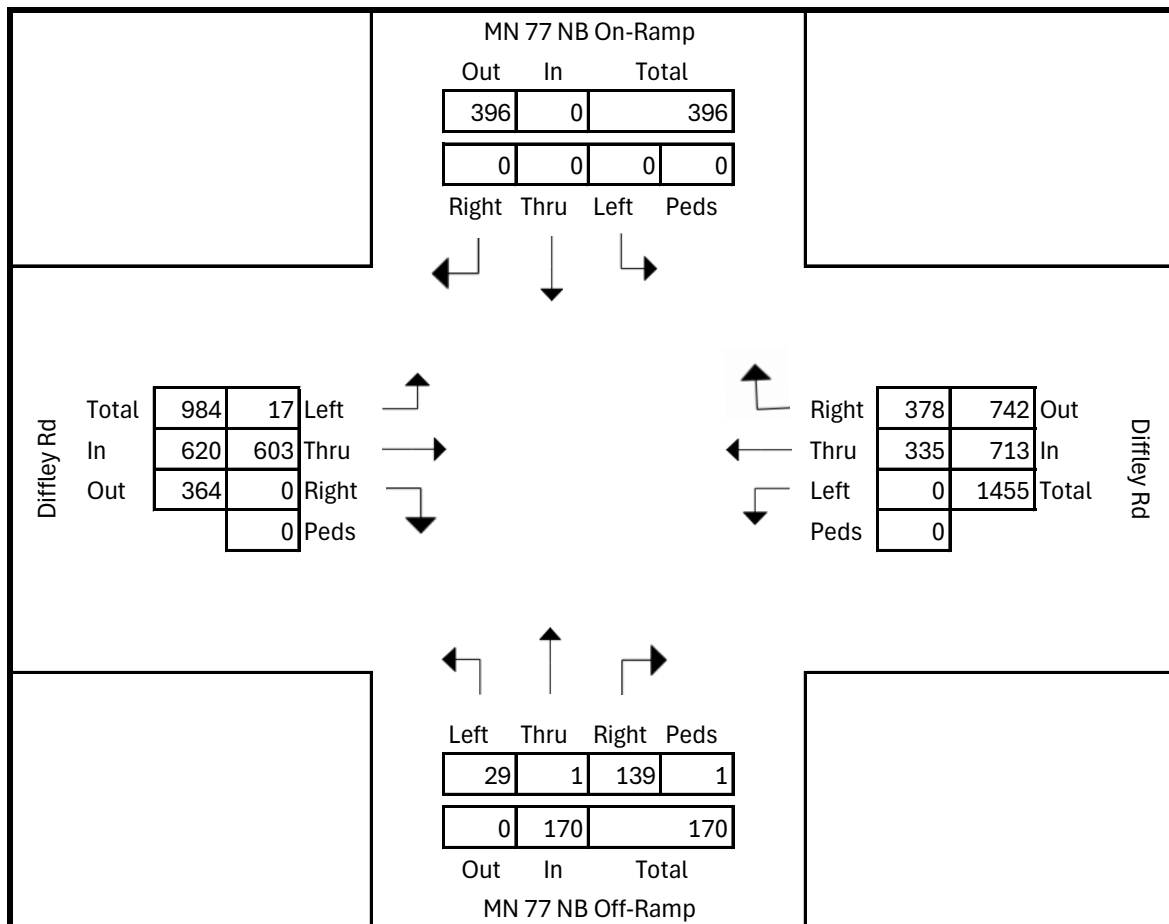
Mead & Hunt, Inc.
Bloomington, MN 55425

TRAFFIC DATA

MN 77 & Diffley Rd ER
City: Eden Prairie
Data by: Flow Labs
Turning Movement Count

File Name: MN 77 & Diffley Rd ER 2024
Dates: 9/3/2024 - 9/19/24, No Holidays, Average
Day of Week: Tuesday, Wednesday, Thursday
Page No.: 7

MID PEAK	MN 77 NB On-Ramp Southbound				Diffley Rd Westbound				MN 77 NB Off-Ramp Northbound				Diffley Rd Eastbound				Int. Total
	Left	Thru	Right	Peds	Left	Thru	Right	Peds	Left	Thru	Right	Peds	Left	Thru	Right	Peds	
12:30	0	0	0	0	0	75	106	0	8	0	39	0	4	160	0	0	392
12:45	0	0	0	0	0	94	85	0	7	1	34	0	3	141	0	0	365
13:00	0	0	0	0	0	82	97	0	7	0	30	0	6	150	0	0	372
13:15	0	0	0	0	0	84	90	0	7	0	36	1	4	152	0	0	374
Total Volume	0	0	0	0	0	335	378	0	29	1	139	1	17	603	0	0	1503
% App. Total	-	-	-	-	0	47	53	0	17.1	0.59	81.8	0.59	2.74	97.26	0	0	
PHF	-	-	-	-	-	0.89	0.89	0	0.91	0.25	0.89	0.25	0.71	0.942	-	0	0.96
App. PHF		-				0.98				0.90				0.95			



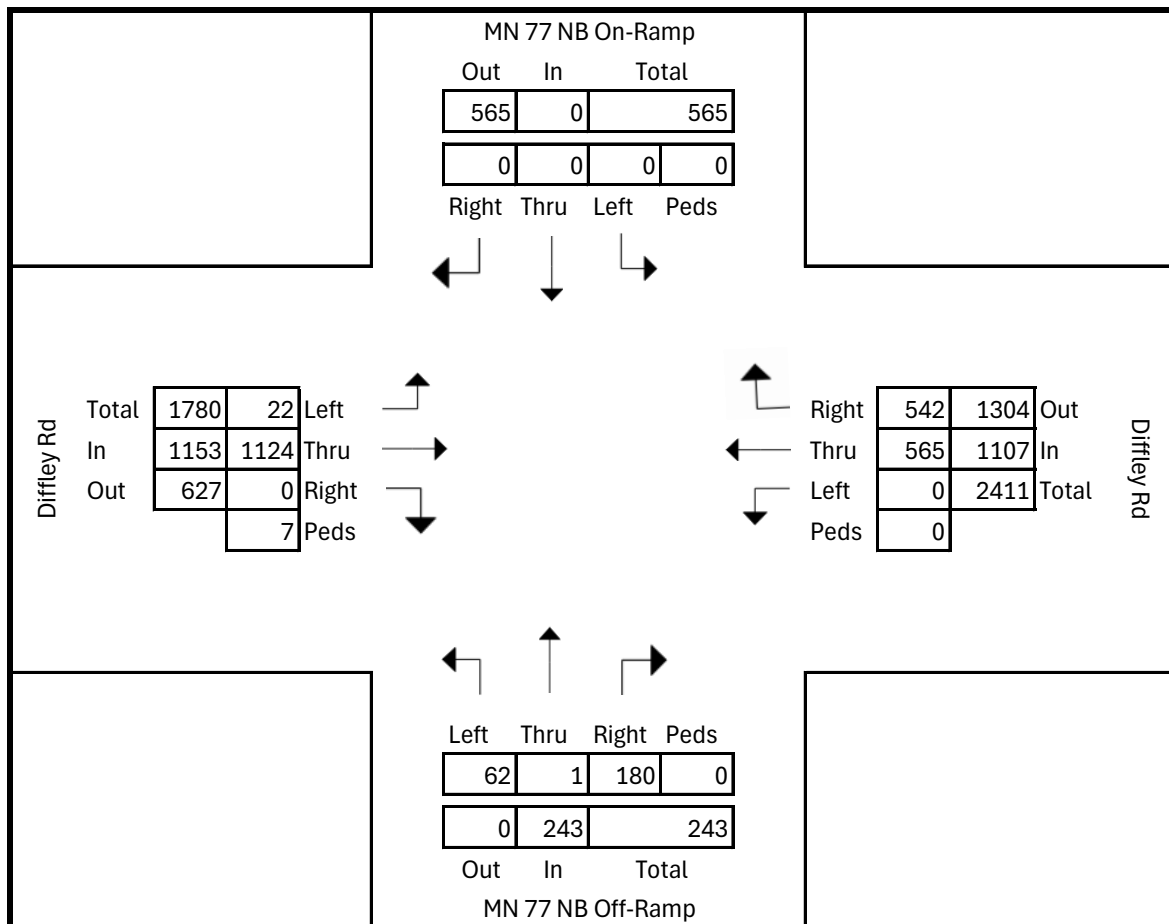
Mead & Hunt, Inc.
Bloomington, MN 55425

TRAFFIC DATA

MN 77 & Diffley Rd ER
City: Eden Prairie
Data by: Flow Labs
Turning Movement Count

File Name: MN 77 & Diffley Rd ER 2024
Dates: 9/3/2024 - 9/19/24, No Holidays, Average
Day of Week: Tuesday, Wednesday, Thursday
Page No.: 8

PM PEAK	MN 77 NB On-Ramp Southbound				Diffley Rd Westbound				MN 77 NB Off-Ramp Northbound				Diffley Rd Eastbound				Int. Total
	Left	Thru	Right	Peds	Left	Thru	Right	Peds	Left	Thru	Right	Peds	Left	Thru	Right	Peds	
16:45	0	0	0	0	0	148	124	0	9	0	47	0	6	269	0	4	607
17:00	0	0	0	0	0	132	136	0	19	0	36	0	6	264	0	1	594
17:15	0	0	0	0	0	159	129	0	16	1	52	0	4	287	0	2	650
17:30	0	0	0	0	0	126	153	0	18	0	45	0	6	304	0	0	652
Total Volume	0	0	0	0	0	565	542	0	62	1	180	0	22	1124	0	7	2503
% App. Total	-	-	-	-	0	51	49	0	25.5	0.41	74.1	0	1.91	97.48	0	0.61	
PHF	-	-	-	-	-	0.89	0.89	0	0.82	0.25	0.87	0	0.92	0.924	-	0.44	0.96
App. PHF	-				0.96				0.88				0.93				



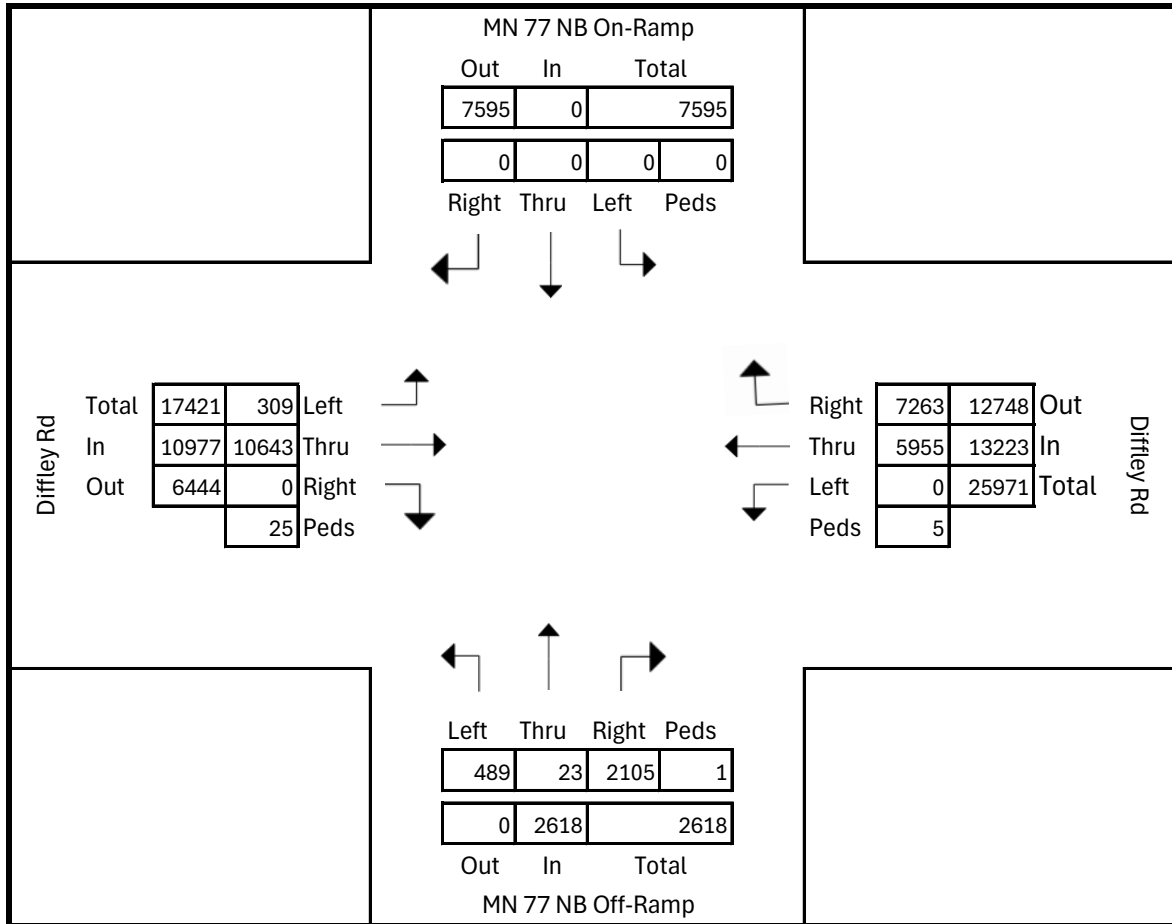
Mead & Hunt, Inc.
Bloomington, MN 55425

TRAFFIC DATA

MN 77 & Diffley Rd ER
City: Eden Prairie
Data by: Flow Labs
Turning Movement Count

File Name: MN 77 & Diffley Rd ER 2024
Dates: 9/3/2024 - 9/19/24, No Holidays, Average
Day of Week: Tuesday, Wednesday, Thursday
Page No.: 9

24 HOUR	MN 77 NB On-Ramp Southbound				Diffley Rd Westbound				MN 77 NB Off-Ramp Northbound				Diffley Rd Eastbound				Int. Total
	Left	Thru	Right	Peds	Left	Thru	Right	Peds	Left	Thru	Right	Peds	Left	Thru	Right	Peds	
Total Volume	0	0	0	0	0	5955	7263	5	489	23	2105	1	309	10643	0	25	26818
% App. Total	-	-	-	-	0	45	54.9	0.04	18.7	0.88	80.4	0.04	2.81	96.96	0	0.23	



Mead & Hunt, Inc.
Bloomington, MN 55425

TRAFFIC DATA

MN 77 & Diffley Rd ER
City: Eden Prairie
Data by: Flow Labs
Turning Movement Count

File Name: MN 77 & Diffley Rd ER 2024
Dates: 9/3/2024 - 9/19/24, No Holidays, Average
Day of Week: Tuesday, Wednesday, Thursday
Page No.: 10

Intersection Volume By Time Of Day

