

Location: TH 65 at 237th Avenue
 Count Date: 4/4/2017
 Counted By: JDA



TURNING MOVEMENT COUNT DATA
 All Vehicles

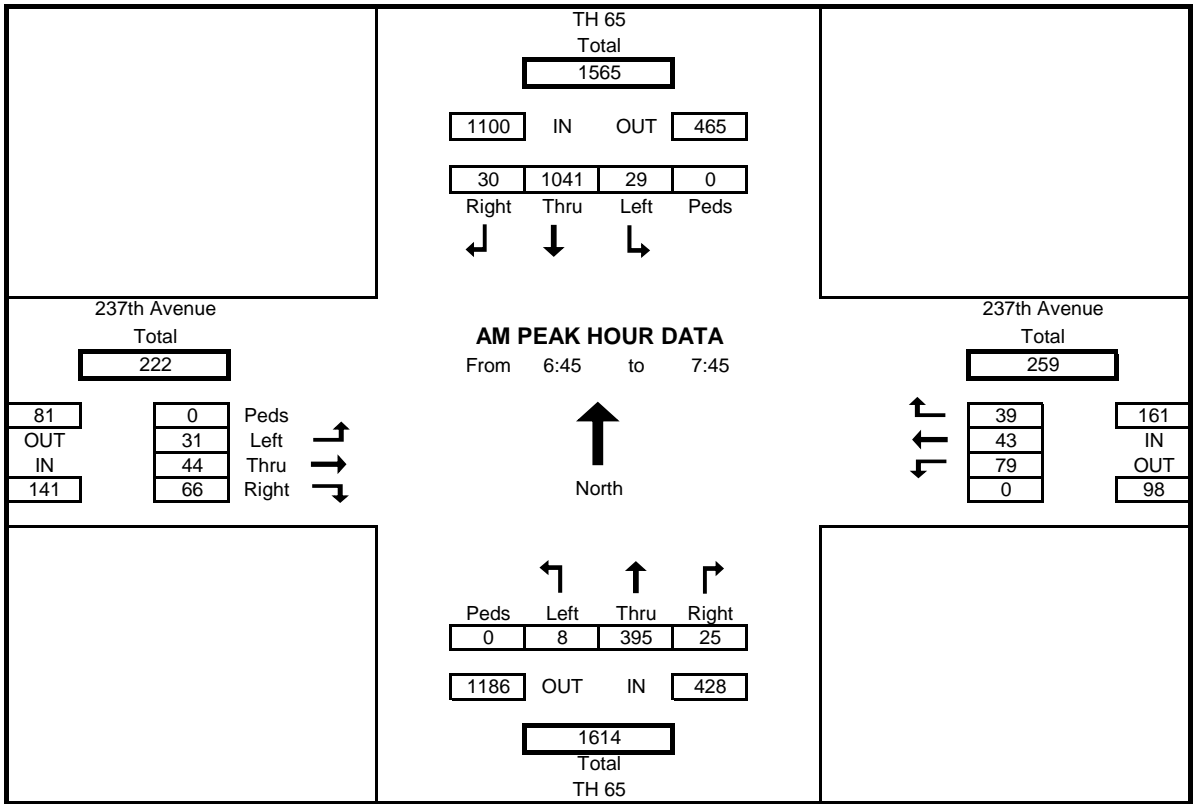
Start Time	TH 65				237th Avenue				TH 65				237th Avenue				Int. Total
	Southbound				Westbound				Northbound				Eastbound				
	Left	Thru	Right	Peds	Left	Thru	Right	Peds	Left	Thru	Right	Peds	Left	Thru	Right	Peds	
6:00	10	318	4	0	19	3	8	0	1	27	2	0	3	9	19	0	423
6:15	15	335	2	0	22	6	4	0	6	51	7	0	6	9	16	0	479
6:30	4	251	6	0	14	3	10	0	7	83	2	0	6	9	16	0	411
6:45	3	271	8	0	22	9	6	0	3	78	4	0	4	13	13	0	434
7:00	9	266	8	0	14	15	9	0	2	83	2	0	7	13	16	0	444
7:15	9	264	7	0	15	13	9	0	2	120	11	0	10	7	12	0	479
7:30	8	240	7	0	28	6	15	0	1	114	8	0	10	11	25	0	473
7:45	12	219	11	0	13	8	20	0	3	99	11	0	13	7	13	0	429
8:00	7	170	6	0	16	4	10	0	1	96	6	0	5	4	14	0	339
8:15	6	174	4	0	5	5	11	0	2	90	2	0	2	8	14	0	323
8:30	4	151	5	0	10	3	6	0	1	72	6	0	11	4	9	0	282
8:45	8	140	8	0	15	3	8	0	4	83	3	0	4	6	9	0	291
9:00	11	110	7	0	7	1	12	0	2	86	6	0	5	7	6	0	260
9:15	9	129	4	0	7	2	9	0	3	70	7	0	6	7	9	0	262
9:30	6	112	4	0	14	4	17	0	6	86	8	0	4	6	8	0	275
9:45	10	126	2	0	9	1	10	0	4	70	5	0	6	6	5	0	254
10:00	10	103	9	0	4	4	8	0	4	75	5	0	4	5	6	0	237
10:15	4	97	6	0	5	1	11	0	5	91	7	0	8	5	7	0	247
10:30	7	115	3	0	7	2	8	0	6	86	9	0	7	3	3	0	256
10:45	7	94	9	0	14	3	9	0	3	75	11	0	12	4	7	0	248
11:00	6	86	8	0	6	4	7	0	6	81	10	0	8	2	6	0	230
11:15	4	99	8	0	7	4	5	0	3	87	5	0	4	6	13	0	245
11:30	8	98	3	0	9	4	4	0	4	97	10	0	11	2	4	0	254
11:45	11	75	9	0	9	5	12	0	3	96	10	0	4	5	5	0	244
12:00	10	90	9	0	9	4	12	0	6	88	11	0	10	10	6	0	265
12:15	8	99	7	0	6	2	7	0	4	91	5	0	3	6	1	0	239
12:30	8	90	5	0	6	3	3	0	5	119	7	0	6	3	7	0	262
12:45	10	99	8	0	9	2	10	0	11	95	5	0	8	6	5	0	268
13:00	11	114	9	0	6	6	8	0	4	99	5	0	5	7	2	0	276
13:15	1	98	10	0	7	3	8	0	3	122	9	0	8	7	5	0	281
13:30	7	109	6	0	7	7	9	0	7	123	6	0	4	1	11	0	297
13:45	3	100	7	0	5	6	8	0	11	135	10	0	10	2	6	0	303
14:00	5	84	8	0	6	8	10	0	10	130	11	0	7	5	8	0	292
14:15	12	109	9	0	5	3	9	0	8	149	9	0	11	6	6	0	336
14:30	10	107	5	0	6	6	20	0	5	159	11	0	9	9	10	0	357
14:45	10	102	5	0	4	2	8	0	9	232	11	0	12	5	3	0	403
15:00	8	115	16	0	8	9	12	0	10	187	12	0	7	6	6	0	396
15:15	13	101	11	0	8	12	16	0	14	267	13	0	4	9	11	0	479
15:30	11	111	13	0	6	14	17	0	7	272	28	0	7	4	4	0	494
15:45	14	127	14	0	9	17	22	0	5	285	29	0	11	11	5	0	549
16:00	15	110	21	0	8	25	17	0	12	242	19	0	10	9	9	0	497
16:15	9	118	20	0	12	11	17	0	17	340	29	0	13	8	8	0	602
16:30	8	126	11	0	5	18	24	0	17	295	26	0	8	11	8	0	557
16:45	16	140	20	0	8	14	22	0	14	330	33	0	12	13	9	0	631
17:00	17	119	14	0	11	24	29	0	16	289	15	0	11	10	20	0	575
17:15	13	116	8	0	11	26	16	0	15	347	17	0	6	11	11	0	597
17:30	20	118	16	0	14	19	28	0	11	309	23	0	13	8	8	0	587
17:45	8	105	7	0	7	4	17	0	11	238	20	0	16	11	10	0	454
18:00	9	115	5	0	12	21	13	0	7	185	21	0	16	6	6	0	416
18:15	10	95	15	0	8	11	12	0	7	209	15	0	5	13	2	0	402
18:30	11	59	7	0	5	6	9	0	10	143	12	0	10	11	4	0	287
18:45	9	60	7	0	5	8	14	0	7	134	21	0	11	12	9	0	297
Total	474	6979	441	0	504	404	625	0	345	7610	590	0	413	378	455	0	19218
Cars+	447	6695	413	0	492	391	594	0	321	7307	579	0	390	363	438	0	18430
Trucks	27	284	28	0	12	13	31	0	24	303	11	0	23	15	17	0	788
% Trucks	6.0	4.2	6.8	0.0	2.4	3.3	5.2	0.0	7.5	4.1	1.9	0.0	5.9	4.1	3.9	0.0	4.3
	4.5				3.8				4.1				4.6				

Location: TH 65 at 237th Avenue
 Count Date: 4/4/2017
 Counted By: JDA



AM PEAK HOUR TURNING MOVEMENT DATA
 All Vehicles

Start Time	TH 65				237th Avenue				TH 65				237th Avenue				Int. Total
	Southbound				Westbound				Northbound				Eastbound				
	Left	Thru	Right	Peds	Left	Thru	Right	Peds	Left	Thru	Right	Peds	Left	Thru	Right	Peds	
6:45	3	271	8	0	22	9	6	0	3	78	4	0	4	13	13	0	434
7:00	9	266	8	0	14	15	9	0	2	83	2	0	7	13	16	0	444
7:15	9	264	7	0	15	13	9	0	2	120	11	0	10	7	12	0	479
7:30	8	240	7	0	28	6	15	0	1	114	8	0	10	11	25	0	473
Total	29	1041	30	0	79	43	39	0	8	395	25	0	31	44	66	0	1830
% App. Total	2.6	94.6	2.7	0.0	7.2	3.9	3.5	0.0	0.7	35.9	2.3	0.0	2.8	4.0	6.0	0.0	
PHF	0.806	0.960	0.938	0.000	0.705	0.717	0.650	0.000	0.667	0.823	0.568	0.000	0.775	0.846	0.660	0.000	0.955
% Trucks	7.4	2.5	25.0	0.0	0.0	7.5	5.4	0.0	14.3	4.8	13.6	0.0	6.9	0.0	1.5	0.0	3.6
	3.1				3.2				5.4				2.2				

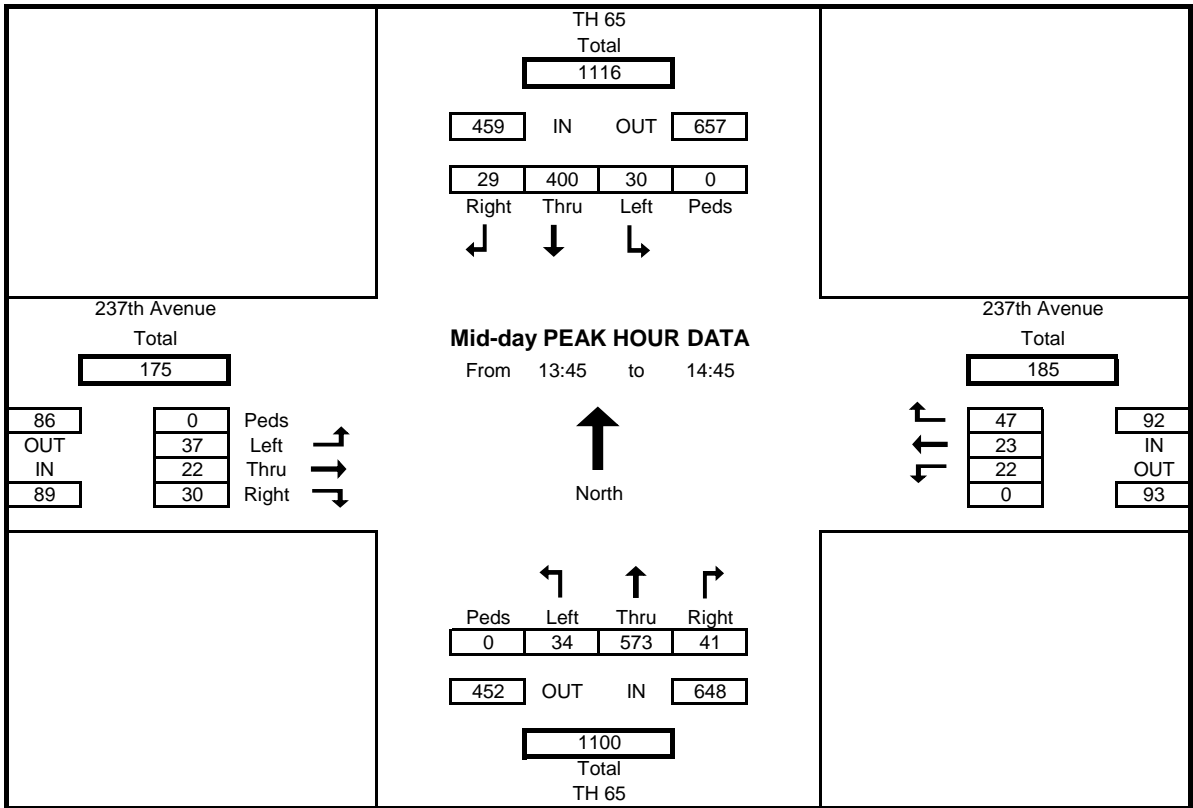


Location: TH 65 at 237th Avenue
 Count Date: 4/4/2017
 Counted By: JDA



Mid-Day PEAK HOUR TURNING MOVEMENT DATA
 All Vehicles

Start Time	TH 65				237th Avenue				TH 65				237th Avenue				Int. Total
	Southbound				Westbound				Northbound				Eastbound				
	Left	Thru	Right	Peds	Left	Thru	Right	Peds	Left	Thru	Right	Peds	Left	Thru	Right	Peds	
13:45	3	100	7	0	5	6	8	0	11	135	10	0	10	2	6	0	303
14:00	5	84	8	0	6	8	10	0	10	130	11	0	7	5	8	0	292
14:15	12	109	9	0	5	3	9	0	8	149	9	0	11	6	6	0	336
14:30	10	107	5	0	6	6	20	0	5	159	11	0	9	9	10	0	357
Total	30	400	29	0	22	23	47	0	34	573	41	0	37	22	30	0	1288
% App. Total	6.5	87.1	6.3	0.0	4.8	5.0	10.2	0.0	7.4	124.8	8.9	0.0	8.1	4.8	6.5	0.0	
PHF	0.625	0.917	0.806	0.000	0.917	0.719	0.588	0.000	0.773	0.901	0.932	0.000	0.841	0.611	0.750	0.000	0.902
% Trucks	0.0	6.1	7.4	0.0	10.0	15.0	2.2	0.0	13.3	5.3	0.0	0.0	0.0	15.8	7.1	0.0	5.7
			5.8				7.0				5.4				6.0		

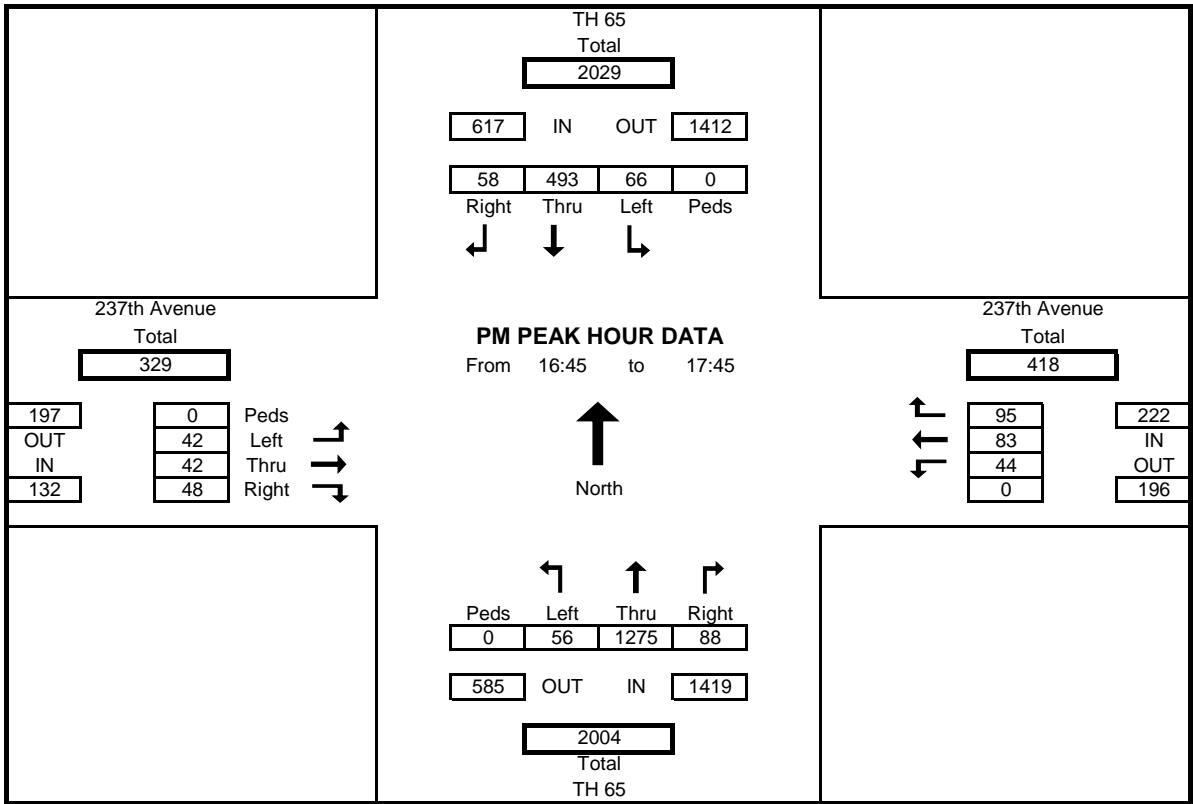


Location: TH 65 at 237th Avenue
 Count Date: 4/4/2017
 Counted By: JDA



AM PEAK HOUR TURNING MOVEMENT DATA
 All Vehicles

Start Time	TH 65				237th Avenue				TH 65				237th Avenue				Int. Total
	Southbound				Westbound				Northbound				Eastbound				
	Left	Thru	Right	Peds	Left	Thru	Right	Peds	Left	Thru	Right	Peds	Left	Thru	Right	Peds	
16:45	16	140	20	0	8	14	22	0	14	330	33	0	12	13	9	0	631
17:00	17	119	14	0	11	24	29	0	16	289	15	0	11	10	20	0	575
17:15	13	116	8	0	11	26	16	0	15	347	17	0	6	11	11	0	597
17:30	20	118	16	0	14	19	28	0	11	309	23	0	13	8	8	0	587
Total	66	493	58	0	44	83	95	0	56	1275	88	0	42	42	48	0	2390
% App. Total	10.7	79.9	9.4	0.0	7.1	13.5	15.4	0.0	9.1	206.6	14.3	0.0	6.8	6.8	7.8	0.0	
PHF	0.825	0.880	0.725	0.000	0.786	0.798	0.819	0.000	0.875	0.919	0.667	0.000	0.808	0.808	0.600	0.000	0.947
% Trucks	0.0	3.1	0.0	0.0	0.0	2.5	3.3	0.0	5.7	1.0	1.1	0.0	2.4	0.0	2.1	0.0	1.7
	2.5				2.3				1.2				1.5				



Location: TH 65 at 237th Avenue
 Count Date: 4/4/2017
 Counted By: JDA



TURNING MOVEMENT COUNT DATA

Cars+

Start Time	TH 65				237th Avenue				TH 65				237th Avenue				Int. Total
	Southbound				Westbound				Northbound				Eastbound				
	Left	Thru	Right	Peds	Left	Thru	Right	Peds	Left	Thru	Right	Peds	Left	Thru	Right	Peds	
6:00	10	315	4	0	19	3	8	0	0	27	2	0	3	7	18	0	416
6:15	15	329	2	0	22	6	4	0	6	51	7	0	4	8	14	0	468
6:30	4	247	6	0	14	3	10	0	5	78	2	0	6	9	16	0	400
6:45	3	263	6	0	22	8	5	0	3	75	4	0	3	13	12	0	417
7:00	9	260	7	0	14	14	9	0	1	82	1	0	6	13	16	0	432
7:15	8	261	6	0	15	12	9	0	2	112	10	0	10	7	12	0	464
7:30	7	232	5	0	28	6	14	0	1	108	7	0	10	11	25	0	454
7:45	11	213	11	0	13	8	20	0	3	94	11	0	11	6	13	0	414
8:00	6	165	6	0	15	4	8	0	1	87	6	0	5	3	14	0	320
8:15	6	168	4	0	5	5	11	0	2	84	2	0	2	8	14	0	311
8:30	3	142	4	0	10	3	6	0	1	67	6	0	9	4	9	0	264
8:45	6	131	7	0	15	3	7	0	4	77	3	0	4	6	8	0	271
9:00	6	105	6	0	7	1	11	0	2	78	6	0	5	5	6	0	238
9:15	8	124	4	0	5	2	9	0	3	62	7	0	6	7	8	0	245
9:30	5	108	4	0	14	4	14	0	6	78	8	0	4	6	8	0	259
9:45	8	121	1	0	9	1	8	0	3	64	5	0	6	6	5	0	237
10:00	9	95	8	0	3	4	7	0	3	69	4	0	4	5	6	0	217
10:15	4	91	6	0	5	0	10	0	5	77	7	0	8	5	6	0	224
10:30	7	107	2	0	7	2	8	0	6	78	9	0	7	2	2	0	237
10:45	5	87	8	0	13	3	9	0	3	69	11	0	11	4	7	0	230
11:00	6	83	6	0	6	4	7	0	5	72	9	0	7	2	5	0	212
11:15	3	93	6	0	7	4	4	0	3	78	5	0	4	5	12	0	224
11:30	8	87	3	0	8	4	3	0	3	91	10	0	9	1	4	0	231
11:45	11	67	8	0	9	5	11	0	3	88	10	0	4	5	4	0	225
12:00	10	84	8	0	9	4	12	0	5	81	10	0	9	10	6	0	248
12:15	8	92	7	0	6	2	7	0	4	84	5	0	3	6	1	0	225
12:30	5	85	5	0	5	2	2	0	4	113	6	0	6	3	7	0	243
12:45	9	88	7	0	7	2	9	0	11	84	5	0	8	6	5	0	241
13:00	11	108	9	0	6	6	8	0	3	91	5	0	3	7	2	0	259
13:15	1	87	9	0	7	3	8	0	2	112	8	0	8	6	5	0	256
13:30	7	106	6	0	7	7	8	0	6	120	6	0	4	1	11	0	289
13:45	3	96	7	0	5	6	7	0	9	127	10	0	10	2	6	0	288
14:00	5	79	7	0	5	6	10	0	10	120	11	0	7	4	8	0	272
14:15	12	102	8	0	4	3	9	0	6	145	9	0	11	6	5	0	320
14:30	10	100	5	0	6	5	20	0	5	152	11	0	9	7	9	0	339
14:45	10	98	4	0	4	2	8	0	9	227	11	0	11	5	2	0	391
15:00	7	111	15	0	7	9	12	0	9	175	11	0	6	6	6	0	374
15:15	13	96	9	0	8	11	14	0	13	261	13	0	4	9	10	0	461
15:30	11	104	13	0	6	14	17	0	7	264	28	0	6	4	4	0	478
15:45	12	120	14	0	9	17	19	0	5	281	29	0	11	11	5	0	533
16:00	15	108	21	0	8	25	16	0	12	240	19	0	10	9	9	0	492
16:15	9	116	20	0	12	11	16	0	17	338	28	0	13	8	8	0	596
16:30	8	124	11	0	5	17	24	0	17	290	26	0	8	11	8	0	549
16:45	16	133	20	0	8	14	22	0	13	326	33	0	12	13	9	0	619
17:00	17	113	14	0	11	23	28	0	14	286	15	0	10	10	20	0	561
17:15	13	115	8	0	11	26	14	0	15	342	17	0	6	11	11	0	589
17:30	20	117	16	0	14	18	28	0	11	308	22	0	13	8	7	0	582
17:45	8	102	7	0	7	4	16	0	11	234	20	0	16	10	10	0	445
18:00	9	109	5	0	12	20	13	0	5	182	21	0	16	6	6	0	404
18:15	10	94	14	0	8	11	12	0	7	205	15	0	5	13	2	0	396
18:30	11	58	7	0	5	6	9	0	10	141	12	0	9	11	4	0	283
18:45	9	56	7	0	5	8	14	0	7	132	21	0	8	12	8	0	287
Total	447	6695	413	0	492	391	594	0	321	7307	579	0	390	363	438	0	18430
Cars+	447	6695	413	0	492	391	594	0	321	7307	579	0	390	363	438	0	18430
Trucks	27	284	28	0	12	13	31	0	24	303	11	0	23	15	17	0	788
% Trucks	6.0	4.2	6.8	0.0	2.4	3.3	5.2	0.0	7.5	4.1	1.9	0.0	5.9	4.1	3.9	0.0	4.3
	4.5				3.8				4.1				4.6				

Location: TH 65 at 237th Avenue
 Count Date: 4/4/2017
 Counted By: JDA



TURNING MOVEMENT COUNT DATA
Heavy Vehicles

Start Time	TH 65				237th Avenue				TH 65				237th Avenue				Int. Total
	Southbound				Westbound				Northbound				Eastbound				
	Left	Thru	Right	Peds	Left	Thru	Right	Peds	Left	Thru	Right	Peds	Left	Thru	Right	Peds	
6:00	0	3	0	0	0	0	0	0	1	0	0	0	0	2	1	0	7
6:15	0	6	0	0	0	0	0	0	0	0	0	0	2	1	2	0	11
6:30	0	4	0	0	0	0	0	0	2	5	0	0	0	0	0	0	11
6:45	0	8	2	0	0	1	1	0	0	3	0	0	1	0	1	0	17
7:00	0	6	1	0	0	1	0	0	1	1	1	0	1	0	0	0	12
7:15	1	3	1	0	0	1	0	0	0	8	1	0	0	0	0	0	15
7:30	1	8	2	0	0	0	1	0	0	6	1	0	0	0	0	0	19
7:45	1	6	0	0	0	0	0	0	0	5	0	0	2	1	0	0	15
8:00	1	5	0	0	1	0	2	0	0	9	0	0	0	1	0	0	19
8:15	0	6	0	0	0	0	0	0	0	6	0	0	0	0	0	0	12
8:30	1	9	1	0	0	0	0	0	0	5	0	0	2	0	0	0	18
8:45	2	9	1	0	0	0	1	0	0	6	0	0	0	0	1	0	20
9:00	5	5	1	0	0	0	1	0	0	8	0	0	0	2	0	0	22
9:15	1	5	0	0	2	0	0	0	0	8	0	0	0	0	1	0	17
9:30	1	4	0	0	0	0	3	0	0	8	0	0	0	0	0	0	16
9:45	2	5	1	0	0	0	2	0	1	6	0	0	0	0	0	0	17
10:00	1	8	1	0	1	0	1	0	1	6	1	0	0	0	0	0	20
10:15	0	6	0	0	0	1	1	0	0	14	0	0	0	0	1	0	23
10:30	0	8	1	0	0	0	0	0	0	8	0	0	0	1	1	0	19
10:45	2	7	1	0	1	0	0	0	0	6	0	0	1	0	0	0	18
11:00	0	3	2	0	0	0	0	0	1	9	1	0	1	0	1	0	18
11:15	1	6	2	0	0	0	1	0	0	9	0	0	0	1	1	0	21
11:30	0	11	0	0	1	0	1	0	1	6	0	0	2	1	0	0	23
11:45	0	8	1	0	0	0	1	0	0	8	0	0	0	0	1	0	19
12:00	0	6	1	0	0	0	0	0	1	7	1	0	1	0	0	0	17
12:15	0	7	0	0	0	0	0	0	0	7	0	0	0	0	0	0	14
12:30	3	5	0	0	1	1	1	0	1	6	1	0	0	0	0	0	19
12:45	1	11	1	0	2	0	1	0	0	11	0	0	0	0	0	0	27
13:00	0	6	0	0	0	0	0	0	1	8	0	0	2	0	0	0	17
13:15	0	11	1	0	0	0	0	0	1	10	1	0	0	1	0	0	25
13:30	0	3	0	0	0	0	1	0	1	3	0	0	0	0	0	0	8
13:45	0	4	0	0	0	0	1	0	2	8	0	0	0	0	0	0	15
14:00	0	5	1	0	1	2	0	0	0	10	0	0	0	1	0	0	20
14:15	0	7	1	0	1	0	0	0	2	4	0	0	0	0	1	0	16
14:30	0	7	0	0	0	1	0	0	0	7	0	0	0	2	1	0	18
14:45	0	4	1	0	0	0	0	0	0	5	0	0	1	0	1	0	12
15:00	1	4	1	0	1	0	0	0	1	12	1	0	1	0	0	0	22
15:15	0	5	2	0	0	1	2	0	1	6	0	0	0	0	1	0	18
15:30	0	7	0	0	0	0	0	0	0	8	0	0	1	0	0	0	16
15:45	2	7	0	0	0	0	3	0	0	4	0	0	0	0	0	0	16
16:00	0	2	0	0	0	0	1	0	0	2	0	0	0	0	0	0	5
16:15	0	2	0	0	0	0	1	0	0	2	1	0	0	0	0	0	6
16:30	0	2	0	0	0	1	0	0	0	5	0	0	0	0	0	0	8
16:45	0	7	0	0	0	0	0	0	1	4	0	0	0	0	0	0	12
17:00	0	6	0	0	0	1	1	0	2	3	0	0	1	0	0	0	14
17:15	0	1	0	0	0	0	2	0	0	5	0	0	0	0	0	0	8
17:30	0	1	0	0	0	1	0	0	0	1	1	0	0	0	1	0	5
17:45	0	3	0	0	0	0	1	0	0	4	0	0	0	1	0	0	9
18:00	0	6	0	0	0	1	0	0	2	3	0	0	0	0	0	0	12
18:15	0	1	1	0	0	0	0	0	0	4	0	0	0	0	0	0	6
18:30	0	1	0	0	0	0	0	0	0	2	0	0	1	0	0	0	4
18:45	0	4	0	0	0	0	0	0	0	2	0	0	3	0	1	0	10
Total	27	284	28	0	12	13	31	0	24	303	11	0	23	15	17	0	788
Cars+	447	6695	413	0	492	391	594	0	321	7307	579	0	390	363	438	0	18430
Trucks	27	284	28	0	12	13	31	0	24	303	11	0	23	15	17	0	788
% Trucks	6.0	4.2	6.8	0.0	2.4	3.3	5.2	0.0	7.5	4.1	1.9	0.0	5.9	4.1	3.9	0.0	4.3
		4.5				3.8				4.1				4.6			