



MINNESOTA DEPT OF TRANSPORTATION

TRAFFIC DATA COLLECTION - METRO

TH-65 at 181st Ave NE EAST BETHEL
 Ref.Pt.: 022.392
 JAMAR # D4-3365 CH
 TURN MOVEMENT COUNT

File Name : TH-65 at 181st Ave NE 2009
 Site Code : 00000000
 Start Date : 7/22/2009
 Page No : 1

Groups Printed- Cars & Trucks

Start Time	TH-65 / CENTRAL AVE Southbound				181st Ave NE Westbound				TH-65 / CENTRAL AVE Northbound				181st Ave NE Eastbound				Int. Total
	Left	Thru	Right	Peds	Left	Thru	Right	Peds	Left	Thru	Right	Peds	Left	Thru	Right	Peds	
06:00	0	444	2	0	2	0	0	0	2	48	7	0	3	0	10	0	518
06:15	1	533	3	0	2	1	0	0	3	67	0	0	3	0	16	0	629
06:30	0	521	2	0	4	0	0	0	2	67	0	0	0	0	11	0	607
06:45	0	400	1	0	5	2	0	0	12	69	0	0	1	1	8	0	499
Total	1	1898	8	0	13	3	0	0	19	251	7	0	7	1	45	0	2253
07:00	0	299	0	0	0	2	0	0	3	57	0	0	2	0	10	0	373
07:15	0	346	1	0	2	2	0	0	5	70	0	0	2	0	12	0	440
07:30	0	435	0	0	7	1	0	0	1	155	0	0	3	2	7	1	612
07:45	0	366	1	0	3	2	0	0	7	105	1	0	0	1	15	0	501
Total	0	1446	2	0	12	7	0	0	16	387	1	0	7	3	44	1	1926
08:00	1	292	1	0	5	3	0	0	7	117	0	1	4	0	10	0	441
08:15	0	328	4	0	1	0	0	0	3	122	1	0	1	0	14	0	474
08:30	2	281	3	0	6	2	1	0	7	135	1	0	4	1	12	0	455
08:45	2	232	3	0	4	0	0	0	5	125	4	0	2	1	8	0	386
Total	5	1133	11	0	16	5	1	0	22	499	6	1	11	2	44	0	1756
15:00	5	166	6	0	4	1	0	0	14	267	4	0	9	3	8	1	488
15:15	1	147	8	0	2	0	0	0	22	301	2	0	6	1	7	0	497
15:30	1	191	3	0	4	0	0	0	20	359	3	1	7	1	17	0	607
15:45	1	177	4	0	1	2	1	0	27	420	3	0	2	1	7	0	646
Total	8	681	21	0	11	3	1	0	83	1347	12	1	24	6	39	1	2238
16:00	0	156	6	0	6	2	0	0	24	458	13	0	8	0	5	0	678
16:15	1	191	2	0	0	2	0	0	29	502	3	0	5	3	9	0	747
16:30	2	189	3	0	5	0	0	0	16	464	4	0	10	1	9	0	703
16:45	0	205	8	0	3	0	0	0	35	424	9	0	3	6	9	0	702
Total	3	741	19	0	14	4	0	0	104	1848	29	0	26	10	32	0	2830
17:00	1	188	5	0	4	0	0	0	32	442	6	0	1	0	6	0	685
17:15	1	192	8	0	5	3	1	0	35	458	7	0	12	3	8	0	733
17:30	0	210	6	0	10	3	0	0	25	423	8	0	9	7	11	0	712
17:45	0	200	2	0	4	6	0	0	23	418	2	0	6	0	8	0	669
Total	2	790	21	0	23	12	1	0	115	1741	23	0	28	10	33	0	2799
Grand Total	19	6689	82	0	89	34	3	0	359	6073	78	2	103	32	237	2	13802
Apprch %	0.3	98.5	1.2	0	70.6	27	2.4	0	5.5	93.3	1.2	0	27.5	8.6	63.4	0.5	
Total %	0.1	48.5	0.6	0	0.6	0.2	0	0	2.6	44	0.6	0	0.7	0.2	1.7	0	



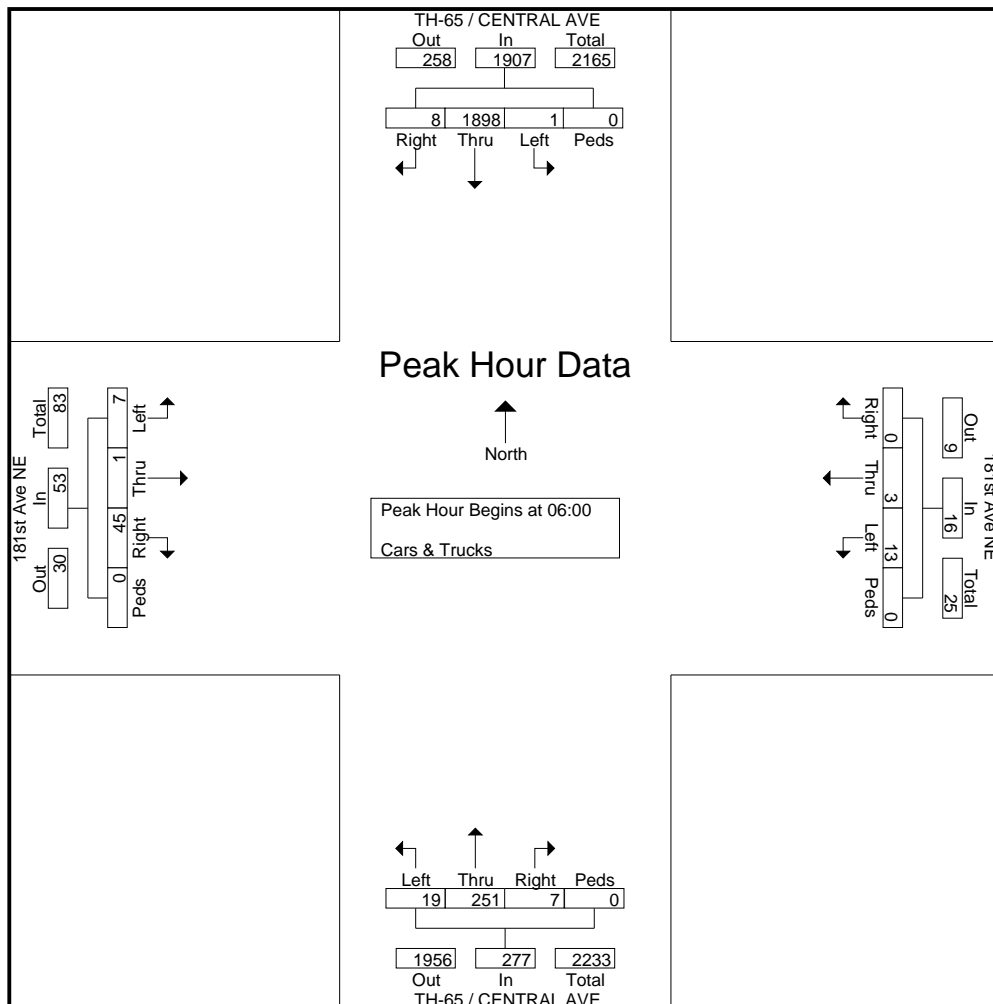
MINNESOTA DEPT OF TRANSPORTATION

TRAFFIC DATA COLLECTION - METRO

TH-65 at 181st Ave NE EAST BETHEL
 Ref.Pt.: 022.392
 JAMAR # D4-3365 CH
 TURN MOVEMENT COUNT

File Name : TH-65 at 181st Ave NE 2009
 Site Code : 00000000
 Start Date : 7/22/2009
 Page No : 2

Start Time	TH-65 / CENTRAL AVE Southbound					181st Ave NE Westbound					TH-65 / CENTRAL AVE Northbound					181st Ave NE Eastbound					Int. Total
	Left	Thru	Right	Peds	App. Total	Left	Thru	Right	Peds	App. Total	Left	Thru	Right	Peds	App. Total	Left	Thru	Right	Peds	App. Total	
Peak Hour Analysis From 06:00 to 08:45 - Peak 1 of 1																					
Peak Hour for Entire Intersection Begins at 06:00																					
06:00	0	444	2	0	446	2	0	0	0	2	2	48	7	0	57	3	0	10	0	13	518
06:15	1	533	3	0	537	2	1	0	0	3	3	67	0	0	70	3	0	16	0	19	629
06:30	0	521	2	0	523	4	0	0	0	4	2	67	0	0	69	0	0	11	0	11	607
06:45	0	400	1	0	401	5	2	0	0	7	12	69	0	0	81	1	1	8	0	10	499
Total Volume	1	1898	8	0	1907	13	3	0	0	16	19	251	7	0	277	7	1	45	0	53	2253
% App. Total	0.1	99.5	0.4	0		81.2	18.8	0	0		6.9	90.6	2.5	0		13.2	1.9	84.9	0		
PHF	.250	.890	.667	.000	.888	.650	.375	.000	.000	.571	.396	.909	.250	.000	.855	.583	.250	.703	.000	.697	.895





MINNESOTA DEPT OF TRANSPORTATION

TRAFFIC DATA COLLECTION - METRO

TH-65 at 181st Ave NE EAST BETHEL
 Ref.Pt.: 022.392
 JAMAR # D4-3365 CH
 TURN MOVEMENT COUNT

File Name : TH-65 at 181st Ave NE 2009
 Site Code : 00000000
 Start Date : 7/22/2009
 Page No : 3

Start Time	TH-65 / CENTRAL AVE Southbound					181st Ave NE Westbound					TH-65 / CENTRAL AVE Northbound					181st Ave NE Eastbound					Int. Total
	Left	Thru	Right	Peds	App. Total	Left	Thru	Right	Peds	App. Total	Left	Thru	Right	Peds	App. Total	Left	Thru	Right	Peds	App. Total	
Peak Hour Analysis From 15:00 to 17:45 - Peak 1 of 1																					
Peak Hour for Entire Intersection Begins at 16:15																					
16:15	1	191	2	0	194	0	2	0	0	2	29	502	3	0	534	5	3	9	0	17	747
16:30	2	189	3	0	194	5	0	0	0	5	16	464	4	0	484	10	1	9	0	20	703
16:45	0	205	8	0	213	3	0	0	0	3	35	424	9	0	468	3	6	9	0	18	702
17:00	1	188	5	0	194	4	0	0	0	4	32	442	6	0	480	1	0	6	0	7	685
Total Volume	4	773	18	0	795	12	2	0	0	14	112	1832	22	0	1966	19	10	33	0	62	2837
% App. Total	0.5	97.2	2.3	0		85.7	14.3	0	0		5.7	93.2	1.1	0		30.6	16.1	53.2	0		
PHF	.500	.943	.563	.000	.933	.600	.250	.000	.000	.700	.800	.912	.611	.000	.920	.475	.417	.917	.000	.775	.949

