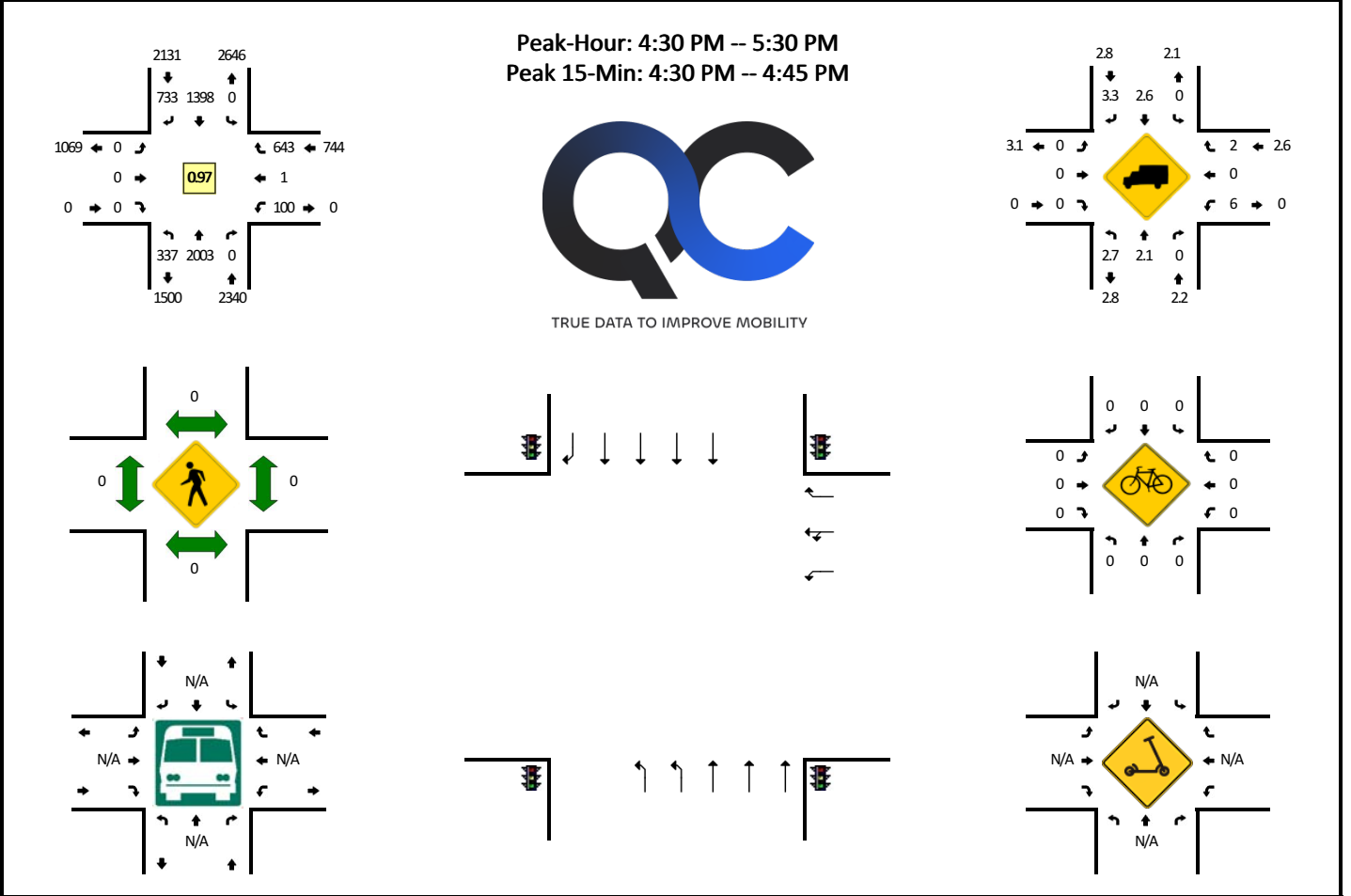


**LOCATION:** TH 65 -- US 10 WB Ramps  
**CITY/STATE:** Blaine, MN

**QC JOB #:** 16374004  
**DATE:** Thu, Nov 9 2023



15-Min Count Period Beginning At	TH 65 (Northbound)				TH 65 (Southbound)				US 10 WB Ramps (Eastbound)				US 10 WB Ramps (Westbound)				Total	Hourly Totals
	Left	Thru	Right	U	Left	Thru	Right	U	Left	Thru	Right	U	Left	Thru	Right	U		
4:00 PM	57	512	0	0	0	375	190	0	0	0	0	0	25	1	185	0	1345	
4:15 PM	80	548	0	1	0	283	134	0	0	0	0	0	37	0	176	0	1259	
4:30 PM	74	481	0	1	0	391	207	0	0	0	0	0	19	0	171	0	1344	
4:45 PM	88	500	0	1	0	309	166	0	0	0	0	0	28	1	153	0	1246	5194
5:00 PM	91	502	0	0	0	328	198	0	0	0	0	0	25	0	164	0	1308	5157
5:15 PM	82	520	0	0	0	370	162	0	0	0	0	0	28	0	155	0	1317	5215
5:30 PM	79	482	0	0	0	298	144	0	0	0	0	0	18	0	194	0	1215	5086
5:45 PM	59	422	0	0	0	341	147	0	0	0	0	0	29	1	159	0	1158	4998

Peak 15-Min Flowrates	Northbound				Southbound				Eastbound				Westbound				Total	
	Left	Thru	Right	U	Left	Thru	Right	U	Left	Thru	Right	U	Left	Thru	Right	U		
All Vehicles	296	1924	0	4	0	1564	828	0	0	0	0	0	76	0	684	0	5376	
Heavy Trucks	4	48	0		0	72	36		0	0	0		4	0	12		176	
Buses																		
Pedestrians		0				0				0				0				0
Bicycles	0	0	0		0	0	0		0	0	0		0	0	0		0	
Scoters																		

Comments: