

Location: TH 65 at 89th Avenue
 Count Date: 4/11/2017
 Counted By: JDA



TURNING MOVEMENT COUNT DATA
 All Vehicles

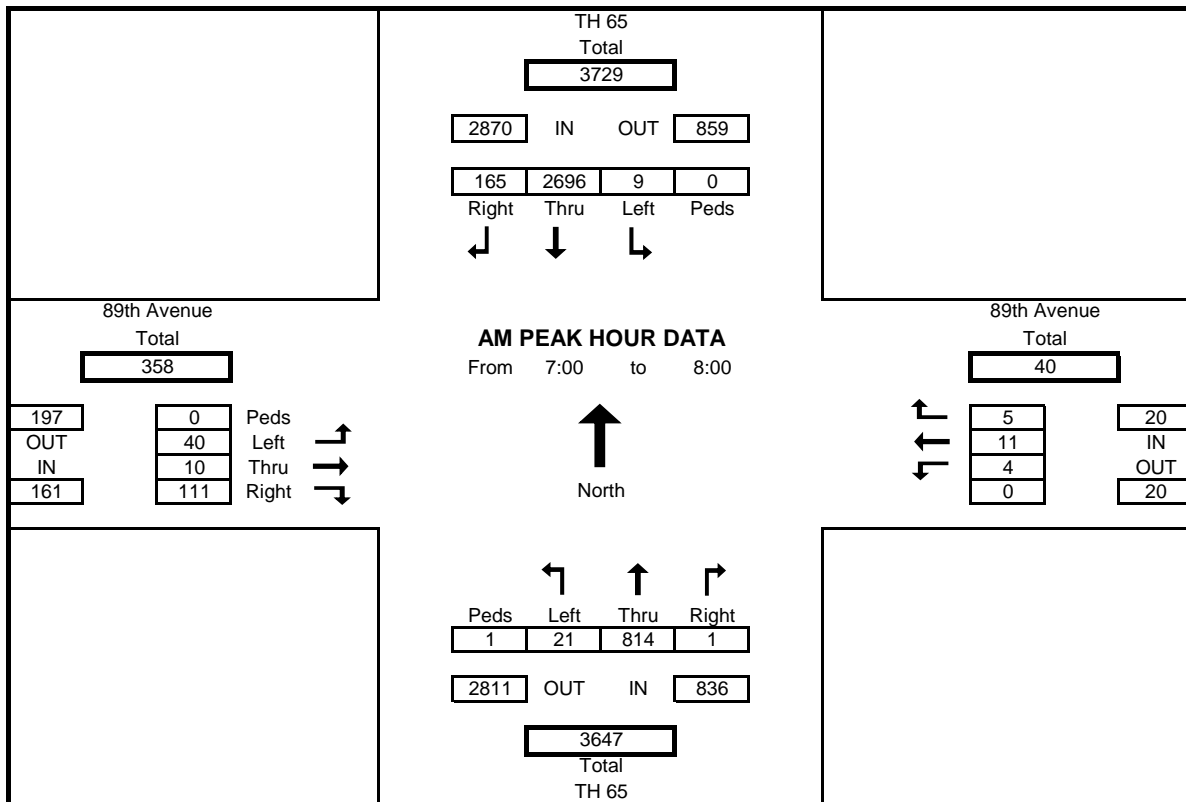
Start Time	TH 65				89th Avenue				TH 65				89th Avenue				Int. Total
	Southbound				Westbound				Northbound				Eastbound				
	Left	Thru	Right	Peds	Left	Thru	Right	Peds	Left	Thru	Right	Peds	Left	Thru	Right	Peds	
6:00	0	396	2	0	0	0	2	0	0	87	0	0	8	0	16	0	511
6:15	0	585	10	0	1	2	0	0	2	98	0	0	11	1	21	0	731
6:30	1	629	15	0	1	0	6	0	3	160	0	0	6	0	21	0	842
6:45	0	722	25	0	1	3	4	0	5	161	0	0	4	0	17	0	942
7:00	5	635	31	0	1	0	1	0	4	175	0	0	10	1	23	0	886
7:15	0	669	42	0	0	6	3	0	4	183	0	1	8	2	27	0	944
7:30	1	701	55	0	1	4	0	0	3	219	1	0	10	3	37	0	1035
7:45	3	691	37	0	2	1	1	0	10	237	0	0	12	4	24	0	1022
8:00	6	600	47	0	0	2	3	0	11	171	0	0	11	1	8	0	860
8:15	3	549	47	0	0	0	0	0	4	207	0	0	16	0	19	0	845
8:30	3	461	63	0	0	0	2	0	12	201	0	0	24	1	27	0	794
8:45	5	438	51	0	0	2	3	0	14	215	1	0	32	4	21	0	786
9:00	5	338	47	0	0	2	2	0	11	239	0	0	15	2	15	0	676
9:15	4	331	35	0	0	2	2	0	9	208	0	0	18	2	11	0	622
9:30	2	310	22	0	0	1	1	0	8	206	0	0	27	1	9	0	587
9:45	6	273	32	0	0	1	2	0	20	216	0	0	12	2	19	0	583
10:00	2	226	24	0	0	1	5	0	5	214	1	0	22	0	12	0	512
10:15	4	259	32	0	0	1	1	0	15	237	1	0	20	2	10	0	582
10:30	4	220	30	0	0	1	1	0	12	230	0	0	25	0	13	0	536
10:45	3	263	27	0	0	0	2	0	11	259	0	0	26	1	6	0	598
11:00	3	203	16	0	0	1	1	0	6	239	0	0	46	4	18	0	537
11:15	1	239	26	0	0	3	3	0	13	272	0	0	27	3	10	0	597
11:30	6	268	20	0	0	0	3	0	10	293	0	0	37	1	13	0	651
11:45	3	297	30	0	0	3	0	0	7	259	1	0	34	4	10	0	648
12:00	1	205	33	0	1	2	2	0	14	287	2	0	22	1	9	0	579
12:15	8	259	34	0	0	1	4	0	12	303	1	0	33	1	18	0	674
12:30	6	260	30	0	0	0	5	0	18	330	0	0	30	3	19	0	701
12:45	7	281	23	0	0	1	5	0	10	294	1	0	35	3	16	0	676
13:00	9	237	35	0	1	3	1	0	9	290	1	0	46	2	17	0	651
13:15	6	234	30	0	0	1	2	0	10	319	1	0	43	1	14	0	661
13:30	3	244	37	0	0	1	3	0	13	310	0	0	33	2	13	0	659
13:45	11	265	24	0	0	3	2	0	8	333	0	0	26	0	12	0	684
14:00	7	231	28	0	0	3	2	0	7	371	0	0	31	1	12	0	693
14:15	3	282	36	0	1	4	5	1	9	363	2	0	28	2	17	0	752
14:30	5	259	37	0	0	1	4	0	12	487	1	0	47	0	26	0	879
14:45	6	281	29	0	0	0	3	0	6	487	0	0	46	5	22	0	885
15:00	0	269	27	0	0	4	2	0	11	511	1	0	31	1	12	0	869
15:15	5	281	37	0	0	2	1	0	19	505	2	0	26	6	25	0	909
15:30	8	279	43	1	2	3	2	0	14	475	0	0	43	6	20	0	895
15:45	3	285	40	0	0	1	7	0	15	464	1	0	53	3	34	0	906
16:00	8	293	30	0	1	1	4	0	10	449	1	0	49	6	24	0	876
16:15	4	296	29	0	1	2	3	0	11	451	1	0	22	5	13	0	838
16:30	6	280	31	0	1	1	11	0	14	434	0	0	37	3	22	0	840
16:45	3	313	28	0	0	0	1	0	15	427	1	0	41	6	11	0	846
17:00	3	327	30	0	0	4	6	0	12	454	0	0	20	1	12	1	869
17:15	8	252	32	0	1	2	2	0	15	438	1	0	32	6	9	0	798
17:30	3	320	32	1	0	2	4	0	15	444	0	0	29	5	17	0	871
17:45	5	251	28	0	0	3	5	0	13	441	1	0	19	1	12	0	779
18:00	3	291	16	0	0	2	2	0	16	447	0	0	24	2	5	0	808
18:15	3	272	21	0	0	1	3	0	14	440	1	0	17	0	7	1	779
18:30	2	262	13	0	0	0	2	0	10	417	1	0	26	6	6	0	745
18:45	0	265	23	0	0	0	3	0	5	367	0	0	9	2	7	0	681
Total	206	17877	1602	2	16	84	144	1	536	16324	25	1	1359	119	838	2	39130
Cars+	205	16930	1564	1	15	66	139	1	503	15703	21	0	1310	109	795	2	37360
Trucks	1	496	38	1	1	18	5	0	33	621	4	1	49	10	43	0	1319
% Trucks	0.5	2.9	2.4	100.0	6.7	27.3	3.6	0.0	6.6	4.0	19.0	#DIV/0!	3.7	9.2	5.4	0.0	3.5
		2.9				10.9				4.1				4.6			

Location: TH 65 at 89th Avenue
 Count Date: 4/11/2017
 Counted By: JDA



AM PEAK HOUR TURNING MOVEMENT DATA
 All Vehicles

Start Time	TH 65 Southbound				89th Avenue Westbound				TH 65 Northbound				89th Avenue Eastbound				Int. Total
	Left	Thru	Right	Peds	Left	Thru	Right	Peds	Left	Thru	Right	Peds	Left	Thru	Right	Peds	
	7:00	5	635	31	0	1	0	1	0	4	175	0	0	10	1	23	
7:15	0	669	42	0	0	6	3	0	4	183	0	1	8	2	27	0	944
7:30	1	701	55	0	1	4	0	0	3	219	1	0	10	3	37	0	1035
7:45	3	691	37	0	2	1	1	0	10	237	0	0	12	4	24	0	1022
Total	9	2696	165	0	4	11	5	0	21	814	1	1	40	10	111	0	3887
% App. Total	0.3	93.9	5.7	0.0	0.1	0.4	0.2	0.0	0.7	28.4	0.0	0.0	1.4	0.3	3.9	0.0	
PHF	0.450	0.961	0.750	0.000	0.500	0.458	0.417	0.000	0.525	0.859	0.250	0.250	0.833	0.625	0.750	0.000	0.939
% Trucks	0.0	2.5	2.5	0.0	33.3	22.2	25.0	0.0	16.7	4.9	0.0	#DIV/0!	14.3	11.1	5.7	0.0	3.4
			2.5				25.0				5.2				8.1		

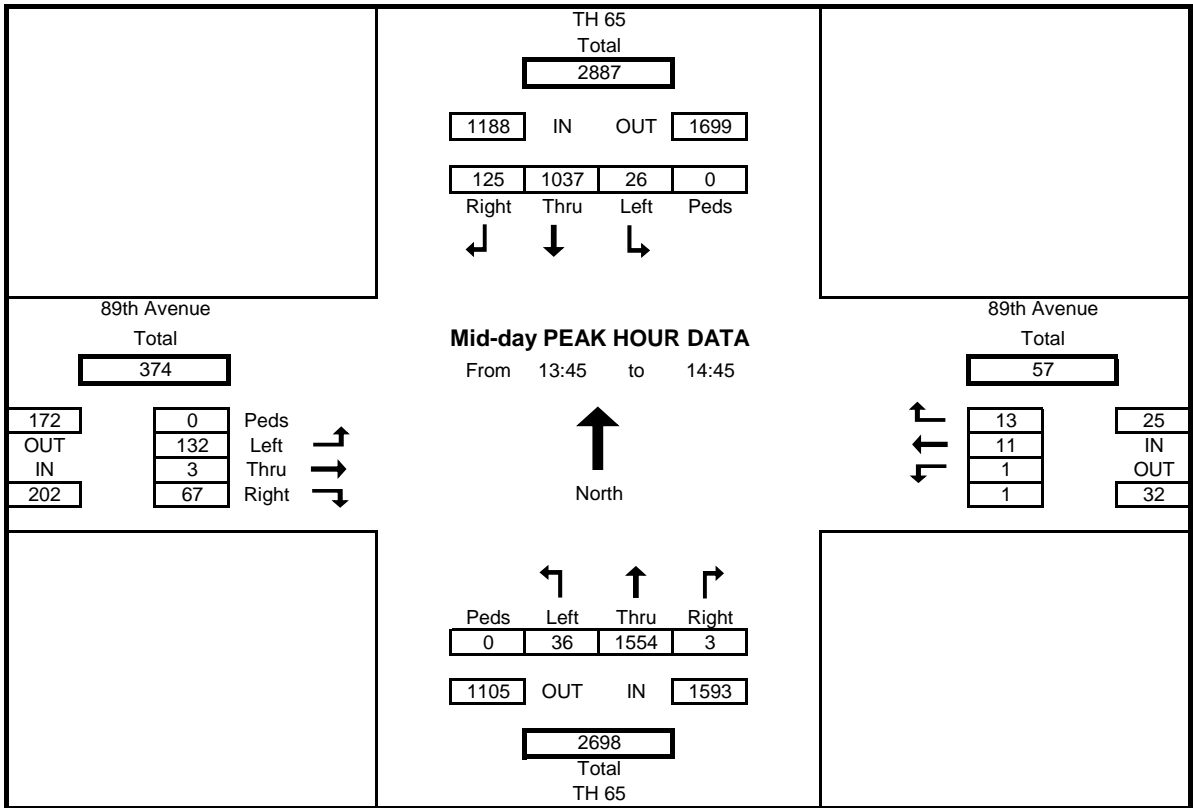


Location: TH 65 at 89th Avenue
 Count Date: 4/11/2017
 Counted By: JDA



Mid-Day PEAK HOUR TURNING MOVEMENT DATA
 All Vehicles

Start Time	TH 65 Southbound				89th Avenue Westbound				TH 65 Northbound				89th Avenue Eastbound				Int. Total
	Left	Thru	Right	Peds	Left	Thru	Right	Peds	Left	Thru	Right	Peds	Left	Thru	Right	Peds	
	13:45	11	265	24	0	0	3	2	0	8	333	0	0	26	0	12	
14:00	7	231	28	0	0	3	2	0	7	371	0	0	31	1	12	0	693
14:15	3	282	36	0	1	4	5	1	9	363	2	0	28	2	17	0	752
14:30	5	259	37	0	0	1	4	0	12	487	1	0	47	0	26	0	879
Total	26	1037	125	0	1	11	13	1	36	1554	3	0	132	3	67	0	3008
% App. Total	2.2	87.3	10.5	0.0	0.1	0.9	1.1	0.1	3.0	130.8	0.3	0.0	11.1	0.3	5.6	0.0	
PHF	0.591	0.919	0.845	0.000	0.250	0.688	0.650	0.250	0.750	0.798	0.375	0.000	0.702	0.375	0.644	0.000	0.856
% Trucks	4.0	2.6	6.8	0.0	0.0	120.0	0.0	0.0	2.9	3.3	0.0	0.0	3.9	0.0	3.1	0.0	
		3.0				31.6				3.2				3.6			3.4

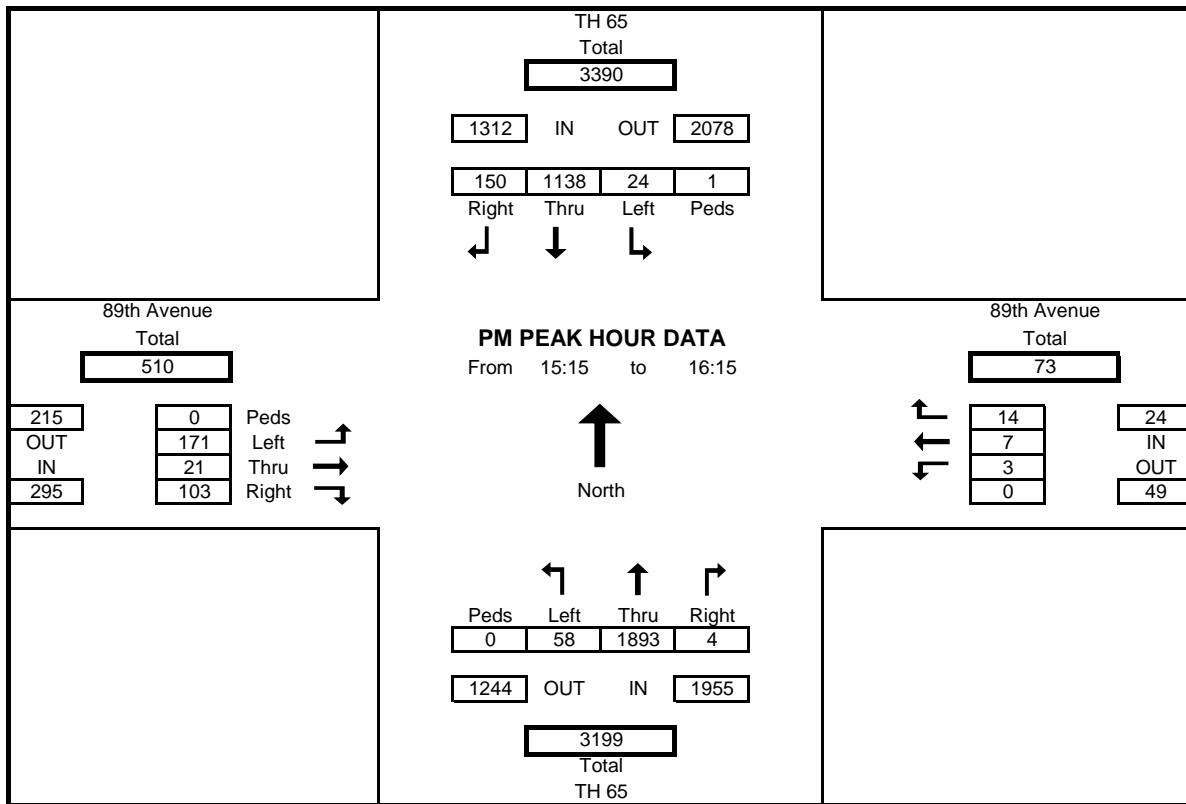


Location: TH 65 at 89th Avenue
 Count Date: 4/11/2017
 Counted By: JDA



AM PEAK HOUR TURNING MOVEMENT DATA
 All Vehicles

Start Time	TH 65 Southbound				89th Avenue Westbound				TH 65 Northbound				89th Avenue Eastbound				Int. Total
	Left	Thru	Right	Peds	Left	Thru	Right	Peds	Left	Thru	Right	Peds	Left	Thru	Right	Peds	
	15:15	5	281	37	0	0	2	1	0	19	505	2	0	26	6	25	
15:30	8	279	43	1	2	3	2	0	14	475	0	0	43	6	20	0	895
15:45	3	285	40	0	0	1	7	0	15	464	1	0	53	3	34	0	906
16:00	8	293	30	0	1	1	4	0	10	449	1	0	49	6	24	0	876
Total	24	1138	150	1	3	7	14	0	58	1893	4	0	171	21	103	0	3586
% App. Total	1.8	86.7	11.4	0.1	0.2	0.5	1.1	0.0	4.4	144.2	0.3	0.0	13.0	1.6	7.8	0.0	
PHF	0.750	0.971	0.872	0.250	0.375	0.583	0.500	0.000	0.763	0.937	0.500	0.000	0.807	0.875	0.757	0.000	0.986
% Trucks	0.0	3.6	2.0	0.0	0.0	16.7	0.0	0.0	1.8	2.9	33.3	0.0	3.0	5.0	7.3	0.0	3.2
			3.4				4.3				2.9				4.6		



Location: TH 65 at 89th Avenue
 Count Date: 4/11/2017
 Counted By: JDA



TURNING MOVEMENT COUNT DATA

Cars+

Start Time	TH 65				89th Avenue				TH 65				89th Avenue				Int. Total
	Southbound				Westbound				Northbound				Eastbound				
	Left	Thru	Right	Peds	Left	Thru	Right	Peds	Left	Thru	Right	Peds	Left	Thru	Right	Peds	
6:00	0	383	2	0	0	0	2	0	0	81	0	0	7	0	15	0	490
6:15	0	571	10	0	1	1	0	0	2	95	0	0	11	1	20	0	712
6:30	1	618	14	0	1	0	6	0	3	151	0	0	6	0	20	0	820
6:45	0	708	25	0	1	2	4	0	4	153	0	0	2	0	16	0	915
7:00	5	620	31	0	0	0	0	0	3	168	0	0	10	1	22	0	860
7:15	0	655	39	0	0	4	3	0	3	179	0	0	6	1	25	0	915
7:30	1	684	55	0	1	4	0	0	2	209	1	0	9	3	34	0	1003
7:45	3	672	36	0	2	1	1	0	10	220	0	0	10	4	24	0	983
8:00	6	588	44	0	0	1	3	0	10	162	0	0	10	1	8	0	833
8:15	3	529	45	0	0	0	0	0	3	199	0	0	14	0	17	0	810
8:30	3	451	62	0	0	0	2	0	10	192	0	0	21	1	26	0	317
8:45	5	423	51	0	0	1	3	0	13	203	1	0	30	4	19	0	753
9:00	5	329	46	0	0	1	2	0	10	227	0	0	15	1	14	0	650
9:15	4	319	35	0	0	2	2	0	9	198	0	0	18	2	10	0	599
9:30	2	297	21	0	0	1	1	0	6	193	0	0	24	1	9	0	555
9:45	6	261	31	0	0	1	2	0	20	201	0	0	12	2	18	0	554
10:00	2	219	24	0	0	1	5	0	5	196	1	0	21	0	12	0	486
10:15	4	254	31	0	0	1	1	0	15	216	1	0	18	2	9	0	552
10:30	4	212	30	0	0	1	1	0	11	217	0	0	24	0	13	0	513
10:45	3	254	27	0	0	0	2	0	11	247	0	0	26	1	6	0	577
11:00	3	194	16	0	0	1	1	0	5	228	0	0	46	4	17	0	515
11:15	1	227	26	0	0	3	3	0	12	261	0	0	27	3	9	0	572
11:30	6	257	20	0	0	0	2	0	10	277	0	0	36	1	13	0	622
11:45	3	289	29	0	0	3	0	0	6	247	0	0	32	3	10	0	622
12:00	1	195	33	0	1	2	2	0	14	274	2	0	22	1	9	0	556
12:15	8	243	34	0	0	1	4	0	12	292	1	0	32	1	17	0	645
12:30	6	253	29	0	0	0	5	0	16	316	0	0	30	3	19	0	677
12:45	7	264	22	0	0	1	5	0	10	281	1	0	35	3	15	0	644
13:00	9	236	35	0	1	3	0	0	9	282	0	0	46	2	17	0	640
13:15	6	229	29	0	0	0	2	0	10	307	1	0	41	1	13	0	639
13:30	3	238	35	0	0	1	2	0	12	301	0	0	32	2	13	0	639
13:45	10	260	23	0	0	1	2	0	7	322	0	0	25	0	12	0	662
14:00	7	226	27	0	0	1	2	0	7	360	0	0	29	1	12	0	672
14:15	3	274	33	0	1	2	5	1	9	351	2	0	27	2	16	0	725
14:30	5	251	34	0	0	1	4	0	12	472	1	0	46	0	25	0	851
14:45	6	265	27	0	0	0	3	0	5	474	0	0	43	2	18	0	843
15:00	0	259	26	0	0	2	2	0	11	489	1	0	30	1	12	0	833
15:15	5	272	37	0	0	2	1	0	19	493	2	0	24	6	22	0	883
15:30	8	271	42	1	2	3	2	0	14	464	0	0	43	6	17	0	872
15:45	3	274	38	0	0	1	7	0	15	451	1	0	53	3	33	0	879
16:00	8	281	30	0	1	0	4	0	9	432	0	0	46	5	24	0	840
16:15	4	288	29	0	1	2	3	0	11	437	1	0	21	5	10	0	812
16:30	6	272	31	0	1	1	10	0	13	421	0	0	35	2	22	0	814
16:45	3	309	27	0	0	0	1	0	15	412	0	0	41	5	10	0	823
17:00	3	322	30	0	0	4	6	0	11	437	0	0	20	1	12	1	846
17:15	8	248	31	0	1	2	2	0	13	423	1	0	31	6	8	0	774
17:30	3	318	32	0	0	2	4	0	14	432	0	0	28	5	17	0	855
17:45	5	244	28	0	0	2	5	0	12	427	1	0	19	1	11	0	755
18:00	3	286	16	0	0	2	2	0	14	434	0	0	24	2	5	0	788
18:15	3	268	21	0	0	1	3	0	13	429	1	0	17	0	7	1	763
18:30	2	259	12	0	0	0	2	0	9	407	1	0	26	6	6	0	730
18:45	0	262	23	0	0	0	3	0	4	363	0	0	9	1	7	0	672
Total	205	16930	1564	1	15	66	139	1	503	15703	21	0	1310	109	795	2	37360
Cars+	205	16930	1564	1	15	66	139	1	503	15703	21	0	1310	109	795	2	37360
Trucks	1	496	38	1	1	18	5	0	33	621	4	1	49	10	43	0	1319
% Trucks	0.5	2.9	2.4	100.0	6.7	27.3	3.6	0.0	6.6	4.0	19.0	0.0	3.7	9.2	5.4	0.0	3.5
		2.9				10.9				4.1				4.6			

Location: TH 65 at 89th Avenue
 Count Date: 4/11/2017
 Counted By: JDA



TURNING MOVEMENT COUNT DATA
Heavy Vehicles

Start Time	TH 65				89th Avenue				TH 65				89th Avenue				Int. Total	
	Southbound				Westbound				Northbound				Eastbound					
	Left	Thru	Right	Bikes	Left	Thru	Right	Bikes	Left	Thru	Right	Bikes	Left	Thru	Right	Bikes		
6:00	0	13	0	0	0	0	0	0	0	6	0	0	1	0	1	0	21	
6:15	0	14	0	0	0	1	0	0	0	3	0	0	0	0	1	0	19	
6:30	0	11	1	0	0	0	0	0	0	9	0	0	0	0	1	0	22	
6:45	0	14	0	0	0	1	0	0	0	1	8	0	0	2	0	1	27	
7:00	0	15	0	0	1	0	1	0	0	1	7	0	0	0	0	1	26	
7:15	0	14	3	0	0	2	0	0	0	1	4	0	1	2	1	2	29	
7:30	0	17	0	0	0	0	0	0	0	1	10	0	0	1	0	3	32	
7:45	0	19	1	0	0	0	0	0	0	0	17	0	0	2	0	0	39	
8:00	0	12	3	0	0	1	0	0	0	1	9	0	0	1	0	0	27	
8:15	0	20	2	0	0	0	0	0	0	1	8	0	0	2	0	2	35	
8:30	0	10	1	0	0	0	0	0	0	2	9	0	0	3	0	1	26	
8:45	0	15	0	0	0	1	0	0	0	1	12	0	0	2	0	2	33	
9:00	0	9	1	0	0	1	0	0	0	1	12	0	0	0	1	1	26	
9:15	0	12	0	0	0	0	0	0	0	0	10	0	0	0	0	1	23	
9:30	0	13	1	0	0	0	0	0	0	2	13	0	0	3	0	0	32	
9:45	0	12	1	0	0	0	0	0	0	0	15	0	0	0	0	1	29	
10:00	0	7	0	0	0	0	0	0	0	0	18	0	0	1	0	0	26	
10:15	0	5	1	0	0	0	0	0	0	0	21	0	0	2	0	1	30	
10:30	0	8	0	0	0	0	0	0	0	1	13	0	0	1	0	0	23	
10:45	0	9	0	0	0	0	0	0	0	0	12	0	0	0	0	0	21	
11:00	0	9	0	0	0	0	0	0	0	1	11	0	0	0	0	1	22	
11:15	0	12	0	0	0	0	0	0	0	1	11	0	0	0	0	1	25	
11:30	0	11	0	0	0	0	1	0	0	0	16	0	0	1	0	0	29	
11:45	0	8	1	0	0	0	0	0	0	1	12	1	0	2	1	0	26	
12:00	0	10	0	0	0	0	0	0	0	0	13	0	0	0	0	0	23	
12:15	0	16	0	0	0	0	0	0	0	0	11	0	0	1	0	1	29	
12:30	0	7	1	0	0	0	0	0	0	2	14	0	0	0	0	0	24	
12:45	0	17	1	0	0	0	0	0	0	0	13	0	0	0	0	1	32	
13:00	0	1	0	0	0	0	1	0	0	0	8	1	0	0	0	0	11	
13:15	0	5	1	0	0	1	0	0	0	0	12	0	0	2	0	1	22	
13:30	0	6	2	0	0	0	1	0	0	1	9	0	0	1	0	0	20	
13:45	1	5	1	0	0	2	0	0	0	1	11	0	0	1	0	0	22	
14:00	0	5	1	0	0	2	0	0	0	0	11	0	0	2	0	0	21	
14:15	0	8	3	0	0	2	0	0	0	0	12	0	0	1	0	1	27	
14:30	0	8	3	0	0	0	0	0	0	0	15	0	0	1	0	1	28	
14:45	0	16	2	0	0	0	0	0	0	1	13	0	0	3	3	4	42	
15:00	0	10	1	0	0	2	0	0	0	0	22	0	0	1	0	0	36	
15:15	0	9	0	0	0	0	0	0	0	0	12	0	0	2	0	3	26	
15:30	0	8	1	0	0	0	0	0	0	0	11	0	0	0	0	3	23	
15:45	0	11	2	0	0	0	0	0	0	0	13	0	0	0	0	1	27	
16:00	0	12	0	0	0	1	0	0	0	1	17	1	0	3	1	0	36	
16:15	0	8	0	0	0	0	0	0	0	0	14	0	0	1	0	3	26	
16:30	0	8	0	0	0	0	1	0	0	1	13	0	0	2	1	0	26	
16:45	0	4	1	0	0	0	0	0	0	0	15	1	0	0	1	1	23	
17:00	0	5	0	0	0	0	0	0	0	1	17	0	0	0	0	0	23	
17:15	0	4	1	0	0	0	0	0	0	2	15	0	0	1	0	1	24	
17:30	0	2	0	1	0	0	0	0	0	1	12	0	0	1	0	0	16	
17:45	0	7	0	0	0	1	0	0	0	1	14	0	0	0	0	1	24	
18:00	0	5	0	0	0	0	0	0	0	2	13	0	0	0	0	0	20	
18:15	0	4	0	0	0	0	0	0	0	1	11	0	0	0	0	0	16	
18:30	0	3	1	0	0	0	0	0	0	1	10	0	0	0	0	0	15	
18:45	0	3	0	0	0	0	0	0	0	1	4	0	0	0	1	0	9	
Total	1	496	38	1	1	18	5	0	0	33	621	4	1	49	10	43	1319	
Cars+	205	16930	1564	1	15	66	139	1	0	503	15703	21	0	1310	109	795	2	37360
Trucks	1	496	38	1	1	18	5	0	0	33	621	4	1	49	10	43	0	1319
% Trucks	0.5	2.9	2.4	100.0	6.7	27.3	3.6	0.0	0.0	6.6	4.0	19.0	#DIV/0!	3.7	9.2	5.4	0.0	3.5
		2.9				10.9					4.1				4.6			