



MINNESOTA DEPT OF TRANSPORTATION

TRAFFIC DATA COLLECTION - METRO

loc: th 65 @ Medtronic pkwy 2003
 ref. pt: 006+00.651
 data collected by: alliant eng
 tmc: am noon pm

File Name : T.H. 65 at Medtronic
 Site Code : 00000012
 Start Date : 8/6/2003
 Page No : 1

Groups Printed- Unshifted

Start Time	T.H. 65 Southbound					Medtronic Pkwy Westbound					T.H. 65 Northbound					Medtronic Pkwy Eastbound					Int. Total
	Left	Thru	Right	Peds	App. Total	Left	Thru	Right	Peds	App. Total	Left	Thru	Right	Peds	App. Total	Left	Thru	Right	Peds	App. Total	
06:00	1	322	5	0	328	65	7	0	0	72	6	97	22	0	125	1	3	10	0	14	539
06:15	2	387	4	0	393	60	2	0	0	62	8	134	35	0	177	2	0	8	0	10	642
06:30	10	432	6	1	449	85	6	0	0	91	15	170	50	0	235	3	3	20	0	26	801
06:45	5	392	16	5	418	93	18	0	0	111	23	180	56	0	259	2	3	12	0	17	805
Total	18	1533	31	6	1588	303	33	0	0	336	52	581	163	0	796	8	9	50	0	67	2787
07:00	3	453	9	2	467	93	7	0	1	101	38	178	62	0	278	2	1	9	2	14	860
07:15	4	455	15	0	474	89	14	0	0	103	33	180	60	1	274	3	3	17	0	23	874
07:30	7	463	22	0	492	98	16	0	0	114	51	238	77	0	366	6	6	8	0	20	992
07:45	5	335	22	1	363	98	15	0	0	113	71	232	104	0	407	5	9	15	0	29	912
Total	19	1706	68	3	1796	378	52	0	1	431	193	828	303	1	1325	16	19	49	2	86	3638
08:00	8	284	17	1	310	93	11	0	0	104	70	221	77	0	368	4	12	18	0	34	816
08:15	4	298	9	1	312	103	11	0	0	114	34	228	90	2	354	4	13	12	0	29	809
08:30	5	284	3	0	292	80	8	0	0	88	59	245	79	3	386	5	9	2	0	16	782
08:45	10	289	14	1	314	89	9	0	0	98	38	219	74	0	331	7	6	15	0	28	771
Total	27	1155	43	3	1228	365	39	0	0	404	201	913	320	5	1439	20	40	47	0	107	3178
11:00	10	214	5	1	230	96	3	0	0	99	23	263	69	0	355	1	12	28	1	42	726
11:15	5	330	11	1	347	80	15	0	0	95	19	293	96	0	408	5	9	25	0	39	889
11:30	14	269	8	1	292	106	13	0	1	120	17	277	101	0	395	4	14	46	1	65	872
11:45	7	243	6	1	257	75	11	0	0	86	21	311	88	0	420	12	12	37	0	61	824
Total	36	1056	30	4	1126	357	42	0	1	400	80	1144	354	0	1578	22	47	136	2	207	3311
12:00	4	282	4	0	290	84	7	0	0	91	9	237	84	0	330	3	15	34	0	52	763
12:15	8	241	3	0	252	80	14	0	0	94	20	304	82	1	407	5	6	21	0	32	785
12:30	7	282	9	0	298	78	9	0	0	87	26	284	72	0	382	5	11	10	0	26	793
12:45	11	216	6	4	237	80	10	2	0	92	21	234	94	0	349	2	17	18	0	37	715
Total	30	1021	22	4	1077	322	40	2	0	364	76	1059	332	1	1468	15	49	83	0	147	3056



MINNESOTA DEPT OF TRANSPORTATION

TRAFFIC DATA COLLECTION - METRO

File Name : T.H. 65 at Medtronic
 Site Code : 00000012
 Start Date : 8/6/2003
 Page No : 2

Groups Printed- Unshifted

Start Time	T.H. 65 Southbound					Medtronic Pkwy Westbound					T.H. 65 Northbound					Medtronic Pkwy Eastbound					Int. Total
	Left	Thru	Right	Peds	App. Total	Left	Thru	Right	Peds	App. Total	Left	Thru	Right	Peds	App. Total	Left	Thru	Right	Peds	App. Total	
15:00	6	278	2	4	290	110	6	8	0	124	14	309	92	0	415	10	24	23	1	58	887
15:15	1	252	4	1	258	83	10	3	2	98	17	413	118	0	548	12	13	18	3	46	950
15:30	11	279	4	1	295	94	4	5	0	103	21	385	124	0	530	9	17	30	0	56	984
15:45	7	237	1	4	249	68	13	8	1	90	9	425	125	1	560	4	9	31	0	44	943
Total	25	1046	11	10	1092	355	33	24	3	415	61	1532	459	1	2053	35	63	102	4	204	3764
16:00	6	313	3	3	325	94	7	7	0	108	22	402	114	1	539	8	13	45	2	68	1040
16:15	8	256	11	1	276	85	20	4	0	109	15	451	123	0	589	16	12	40	0	68	1042
16:30	10	285	1	1	297	100	16	3	1	120	23	452	137	0	612	17	18	44	0	79	1108
16:45	2	243	5	10	260	106	7	6	1	120	20	460	173	1	654	8	17	40	0	65	1099
Total	26	1097	20	15	1158	385	50	20	2	457	80	1765	547	2	2394	49	60	169	2	280	4289
17:00	8	307	3	0	318	86	12	5	0	103	14	415	155	0	584	16	22	93	1	132	1137
17:15	7	248	5	2	262	114	26	0	0	140	16	447	161	0	624	16	16	68	0	100	1126
17:30	7	325	3	9	344	85	18	0	0	103	17	440	137	0	594	7	12	60	0	79	1120
17:45	11	223	6	1	241	92	14	2	1	109	15	422	127	0	564	6	13	53	2	74	988
Total	33	1103	17	12	1165	377	70	7	1	455	62	1724	580	0	2366	45	63	274	3	385	4371
Grand Total	214	9717	242	57	10230	2842	359	53	8	3262	805	9546	3058	10	13419	210	350	910	13	1483	28394
Apprch %	2.1	95	2.4	0.6		87.1	11	1.6	0.2		6	71.1	22.8	0.1		14.2	23.6	61.4	0.9		
Total %	0.8	34.2	0.9	0.2	36	10	1.3	0.2	0	11.5	2.8	33.6	10.8	0	47.3	0.7	1.2	3.2	0	5.2	

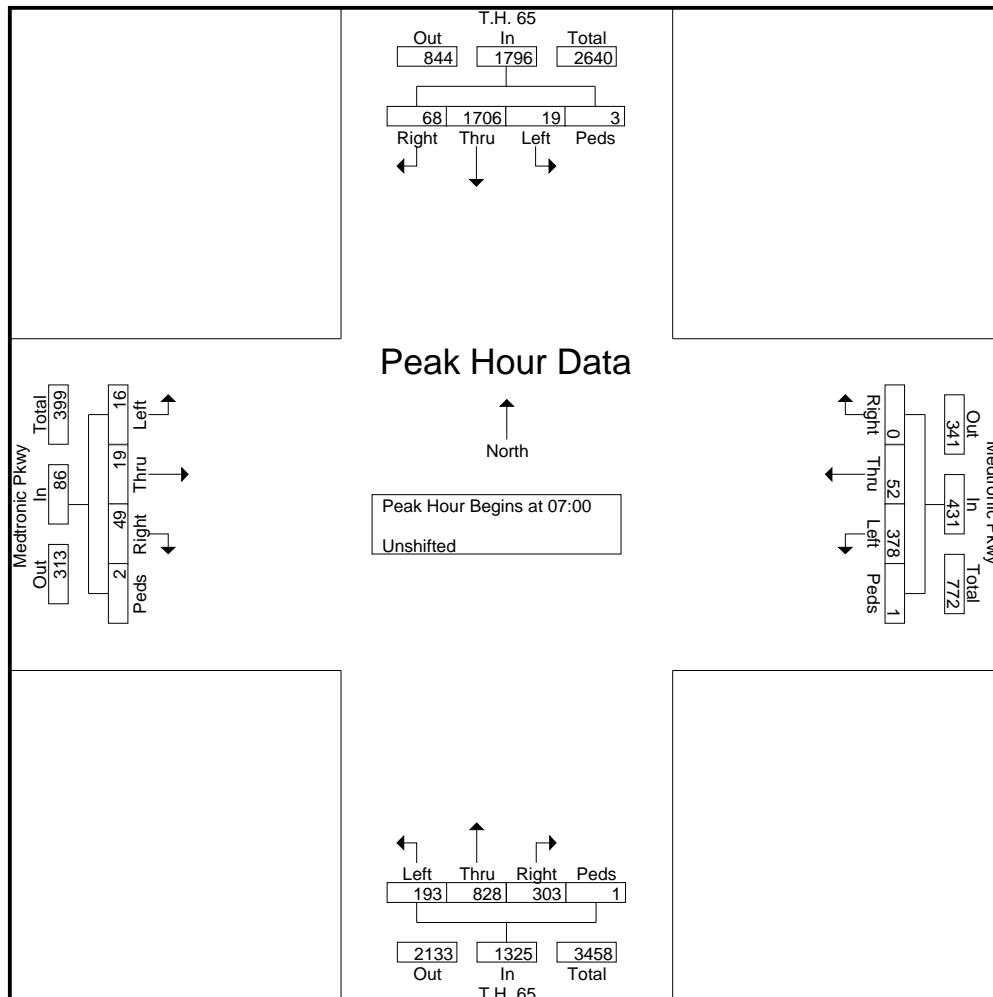


MINNESOTA DEPT OF TRANSPORTATION

TRAFFIC DATA COLLECTION - METRO

File Name : T.H. 65 at Medtronic
 Site Code : 00000012
 Start Date : 8/6/2003
 Page No : 3

Start Time	T.H. 65 Southbound					Medtronic Pkwy Westbound					T.H. 65 Northbound					Medtronic Pkwy Eastbound					Int. Total
	Left	Thru	Right	Peds	App. Total	Left	Thru	Right	Peds	App. Total	Left	Thru	Right	Peds	App. Total	Left	Thru	Right	Peds	App. Total	
Peak Hour Analysis From 06:00 to 09:45 - Peak 1 of 1																					
Peak Hour for Entire Intersection Begins at 07:00																					
07:00	3	453	9	2	467	93	7	0	1	101	38	178	62	0	278	2	1	9	2	14	860
07:15	4	455	15	0	474	89	14	0	0	103	33	180	60	1	274	3	3	17	0	23	874
07:30	7	463	22	0	492	98	16	0	0	114	51	238	77	0	366	6	6	8	0	20	992
07:45	5	335	22	1	363	98	15	0	0	113	71	232	104	0	407	5	9	15	0	29	912
Total Volume	19	1706	68	3	1796	378	52	0	1	431	193	828	303	1	1325	16	19	49	2	86	3638
% App. Total	1.1	95	3.8	0.2		87.7	12.1	0	0.2		14.6	62.5	22.9	0.1		18.6	22.1	57	2.3		
PHF	.679	.921	.773	.375	.913	.964	.813	.000	.250	.945	.680	.870	.728	.250	.814	.667	.528	.721	.250	.741	.917



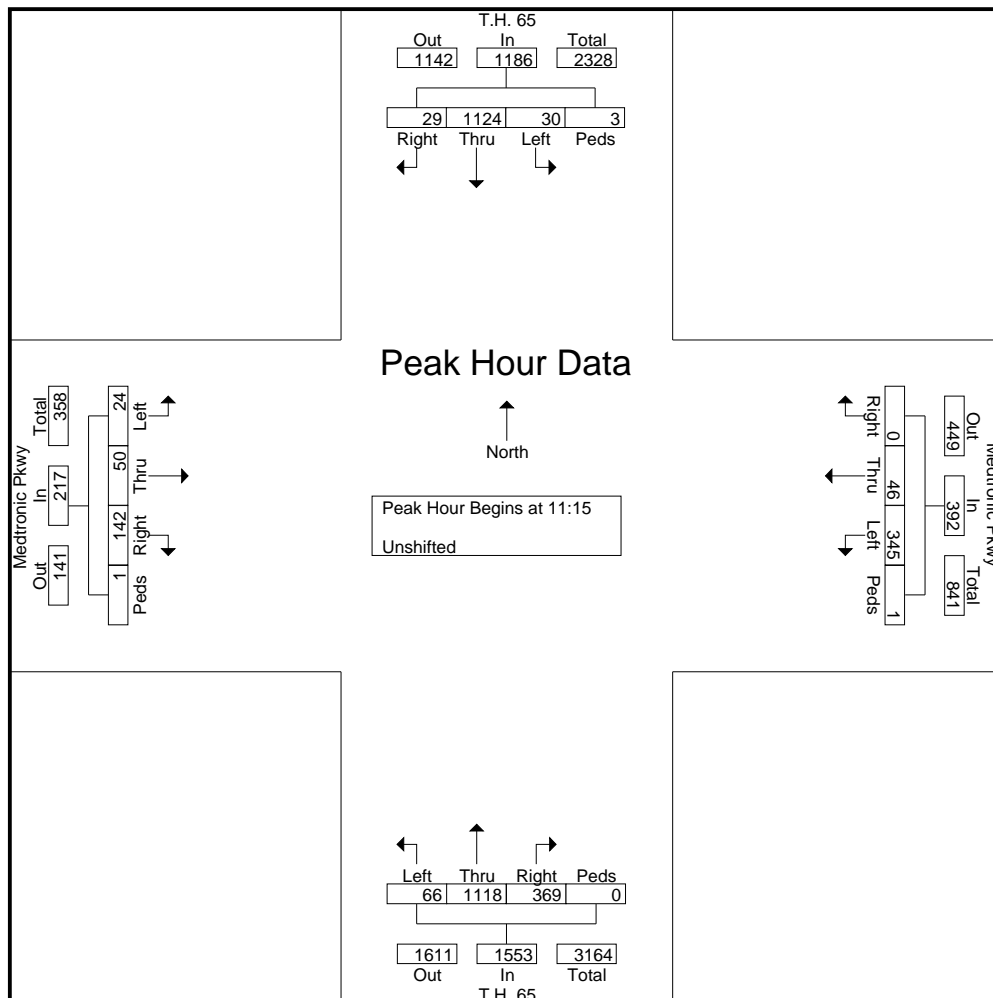


MINNESOTA DEPT OF TRANSPORTATION

TRAFFIC DATA COLLECTION - METRO

File Name : T.H. 65 at Medtronic
 Site Code : 00000012
 Start Date : 8/6/2003
 Page No : 4

Start Time	T.H. 65 Southbound					Medtronic Pkwy Westbound					T.H. 65 Northbound					Medtronic Pkwy Eastbound					Int. Total
	Left	Thru	Right	Peds	App. Total	Left	Thru	Right	Peds	App. Total	Left	Thru	Right	Peds	App. Total	Left	Thru	Right	Peds	App. Total	
Peak Hour Analysis From 10:00 to 13:45 - Peak 1 of 1																					
Peak Hour for Entire Intersection Begins at 11:15																					
11:15	5	330	11	1	347	80	15	0	0	95	19	293	96	0	408	5	9	25	0	39	889
11:30	14	269	8	1	292	106	13	0	1	120	17	277	101	0	395	4	14	46	1	65	872
11:45	7	243	6	1	257	75	11	0	0	86	21	311	88	0	420	12	12	37	0	61	824
12:00	4	282	4	0	290	84	7	0	0	91	9	237	84	0	330	3	15	34	0	52	763
Total Volume	30	1124	29	3	1186	345	46	0	1	392	66	1118	369	0	1553	24	50	142	1	217	3348
% App. Total	2.5	94.8	2.4	0.3		88	11.7	0	0.3		4.2	72	23.8	0		11.1	23	65.4	0.5		
PHF	.536	.852	.659	.750	.854	.814	.767	.000	.250	.817	.786	.899	.913	.000	.924	.500	.833	.772	.250	.835	.942





MINNESOTA DEPT OF TRANSPORTATION

TRAFFIC DATA COLLECTION - METRO

File Name : T.H. 65 at Medtronic
 Site Code : 00000012
 Start Date : 8/6/2003
 Page No : 5

Start Time	T.H. 65 Southbound					Medtronic Pkwy Westbound					T.H. 65 Northbound					Medtronic Pkwy Eastbound					Int. Total
	Left	Thru	Right	Peds	App. Total	Left	Thru	Right	Peds	App. Total	Left	Thru	Right	Peds	App. Total	Left	Thru	Right	Peds	App. Total	
Peak Hour Analysis From 14:00 to 17:45 - Peak 1 of 1																					
Peak Hour for Entire Intersection Begins at 16:45																					
16:45	2	243	5	10	260	106	7	6	1	120	20	460	173	1	654	8	17	40	0	65	1099
17:00	8	307	3	0	318	86	12	5	0	103	14	415	155	0	584	16	22	93	1	132	1137
17:15	7	248	5	2	262	114	26	0	0	140	16	447	161	0	624	16	16	68	0	100	1126
17:30	7	325	3	9	344	85	18	0	0	103	17	440	137	0	594	7	12	60	0	79	1120
Total Volume	24	1123	16	21	1184	391	63	11	1	466	67	1762	626	1	2456	47	67	261	1	376	4482
% App. Total	2	94.8	1.4	1.8		83.9	13.5	2.4	0.2		2.7	71.7	25.5	0		12.5	17.8	69.4	0.3		
PHF	.750	.864	.800	.525	.860	.857	.606	.458	.250	.832	.838	.958	.905	.250	.939	.734	.761	.702	.250	.712	.985

