



MINNESOTA DEPT OF TRANSPORTATION

TRAFFIC DATA COLLECTION - METRO

Loc: th 65 @ 49th ave ne 2003
 ref. pt.:005+00.632
 data collected by: alliant eng., inc.
 tmc: am, noon, pm

File Name : T.H. 65 at 49th
 Site Code : 00000006
 Start Date : 7/31/2003
 Page No : 1

Groups Printed- Unshifted

Start Time	T.H. 65 Southbound					49th Ave. NE Westbound					T.H. 65 Northbound					49th Ave. NE Eastbound					Int. Total
	Left	Thru	Right	Peds	App. Total	Left	Thru	Right	Peds	App. Total	Left	Thru	Right	Peds	App. Total	Left	Thru	Right	Peds	App. Total	
06:00	0	92	5	0	97	1	2	7	0	10	0	55	0	0	55	7	6	2	0	15	177
06:15	2	161	4	0	167	0	5	8	0	13	0	68	0	0	68	6	6	4	2	18	266
06:30	8	145	6	0	159	4	17	9	0	30	2	93	2	0	97	14	10	2	0	26	312
06:45	7	202	7	0	216	5	15	9	0	29	1	75	2	0	78	12	9	7	1	29	352
Total	17	600	22	0	639	10	39	33	0	82	3	291	4	0	298	39	31	15	3	88	1107
07:00	5	210	11	0	226	8	15	15	0	38	2	101	3	0	106	13	6	6	0	25	395
07:15	5	278	9	0	292	7	11	12	2	32	2	103	3	0	108	6	9	1	1	17	449
07:30	9	245	7	0	261	8	14	10	2	34	4	94	2	1	101	11	12	5	0	28	424
07:45	7	203	22	0	232	10	11	10	3	34	11	120	4	1	136	7	12	15	0	34	436
Total	26	936	49	0	1011	33	51	47	7	138	19	418	12	2	451	37	39	27	1	104	1704
08:00	3	161	10	0	174	5	13	23	2	43	5	111	3	1	120	12	12	5	0	29	366
08:15	7	137	3	0	147	3	14	9	1	27	11	118	4	0	133	10	8	2	1	21	328
08:30	6	148	7	0	161	8	11	16	1	36	5	124	3	0	132	10	7	4	1	22	351
08:45	8	171	34	0	213	13	10	22	1	46	3	157	3	0	163	8	10	8	1	27	449
Total	24	617	54	0	695	29	48	70	5	152	24	510	13	1	548	40	37	19	3	99	1494
11:00	11	213	26	1	251	4	17	20	2	43	12	214	17	0	243	15	8	11	4	38	575
11:15	26	192	15	0	233	8	17	18	2	45	10	208	14	1	233	18	8	8	3	37	548
11:30	24	214	15	0	253	15	8	29	0	52	6	211	14	1	232	16	12	17	0	45	582
11:45	25	230	23	0	278	13	15	21	2	51	16	254	7	2	279	17	16	14	1	48	656
Total	86	849	79	1	1015	40	57	88	6	191	44	887	52	4	987	66	44	50	8	168	2361
12:00	20	211	32	0	263	10	13	21	0	44	16	201	18	0	235	22	13	20	0	55	597
12:15	20	226	28	0	274	11	21	31	0	63	21	273	13	1	308	20	20	23	0	63	708
12:30	27	222	29	0	278	13	8	25	0	46	27	215	13	1	256	21	13	12	0	46	626
12:45	33	248	19	0	300	16	9	20	2	47	14	271	10	1	296	23	11	18	0	52	695
Total	100	907	108	0	1115	50	51	97	2	200	78	960	54	3	1095	86	57	73	0	216	2626
15:00	11	214	21	4	250	9	12	28	3	52	13	270	10	2	295	20	11	14	0	45	642
15:15	19	227	19	1	266	9	23	28	2	62	19	259	8	2	288	19	13	14	2	48	664
15:30	21	204	27	0	252	5	18	28	0	51	13	271	9	0	293	24	19	17	2	62	658
15:45	28	221	22	0	271	14	19	21	1	55	24	278	14	0	316	25	21	12	1	59	701
Total	79	866	89	5	1039	37	72	105	6	220	69	1078	41	4	1192	88	64	57	5	214	2665
16:00	26	227	34	0	287	10	24	30	5	69	12	283	17	0	312	23	28	21	5	77	745
16:15	31	188	19	0	238	13	21	34	4	72	18	295	12	0	325	20	32	10	2	64	699
16:30	13	214	25	0	252	16	22	28	2	68	10	332	11	0	353	24	21	15	1	61	734
16:45	32	240	29	1	302	13	21	37	5	76	7	308	7	0	322	33	31	12	6	82	782
Total	102	869	107	1	1079	52	88	129	16	285	47	1218	47	0	1312	100	112	58	14	284	2960
17:00	21	219	19	0	259	12	25	36	1	74	18	306	9	0	333	29	24	13	0	66	732
17:15	31	188	18	0	237	18	22	42	3	85	21	310	18	0	349	26	27	15	1	69	740
17:30	10	282	27	0	319	14	23	34	1	72	14	278	13	0	305	22	27	23	1	73	769
17:45	37	204	35	1	277	21	34	40	0	95	23	276	15	0	314	21	26	16	4	67	753
Total	99	893	99	1	1092	65	104	152	5	326	76	1170	55	0	1301	98	104	67	6	275	2994



MINNESOTA DEPT OF TRANSPORTATION
TRAFFIC DATA COLLECTION - METRO

File Name : T.H. 65 at 49th
 Site Code : 00000006
 Start Date : 7/31/2003
 Page No : 2

Groups Printed- Unshifted

	T.H. 65 Southbound					49th Ave. NE Westbound					T.H. 65 Northbound					49th Ave. NE Eastbound					Int. Total
	Left	Thru	Right	Peds	App. Total	Left	Thru	Right	Peds	App. Total	Left	Thru	Right	Peds	App. Total	Left	Thru	Right	Peds	App. Total	
Grand Total	533	6537	607	8	7685	316	510	721	47	1594	360	6532	278	14	7184	554	488	366	40	1448	17911
Apprch %	6.9	85.1	7.9	0.1		19.8	32	45.2	2.9		5	90.9	3.9	0.2		38.3	33.7	25.3	2.8		
Total %	3	36.5	3.4	0	42.9	1.8	2.8	4	0.3	8.9	2	36.5	1.6	0.1	40.1	3.1	2.7	2	0.2	8.1	

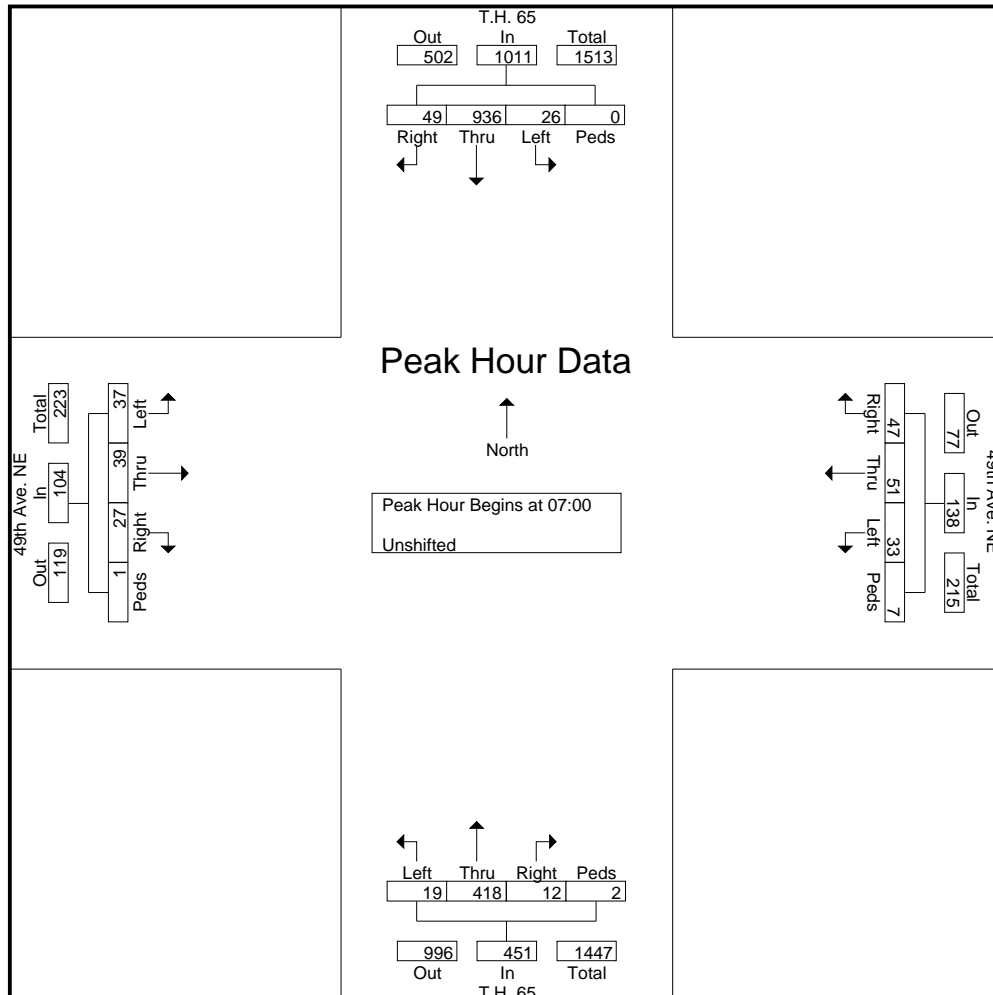


MINNESOTA DEPT OF TRANSPORTATION

TRAFFIC DATA COLLECTION - METRO

File Name : T.H. 65 at 49th
 Site Code : 00000006
 Start Date : 7/31/2003
 Page No : 3

Start Time	T.H. 65 Southbound					49th Ave. NE Westbound					T.H. 65 Northbound					49th Ave. NE Eastbound					Int. Total
	Left	Thru	Right	Peds	App. Total	Left	Thru	Right	Peds	App. Total	Left	Thru	Right	Peds	App. Total	Left	Thru	Right	Peds	App. Total	
Peak Hour Analysis From 06:00 to 08:45 - Peak 1 of 1																					
Peak Hour for Entire Intersection Begins at 07:00																					
07:00	5	210	11	0	226	8	15	15	0	38	2	101	3	0	106	13	6	6	0	25	395
07:15	5	278	9	0	292	7	11	12	2	32	2	103	3	0	108	6	9	1	1	17	449
07:30	9	245	7	0	261	8	14	10	2	34	4	94	2	1	101	11	12	5	0	28	424
07:45	7	203	22	0	232	10	11	10	3	34	11	120	4	1	136	7	12	15	0	34	436
Total Volume	26	936	49	0	1011	33	51	47	7	138	19	418	12	2	451	37	39	27	1	104	1704
% App. Total	2.6	92.6	4.8	0		23.9	37	34.1	5.1		4.2	92.7	2.7	0.4		35.6	37.5	26	1		
PHF	.722	.842	.557	.000	.866	.825	.850	.783	.583	.908	.432	.871	.750	.500	.829	.712	.813	.450	.250	.765	.949



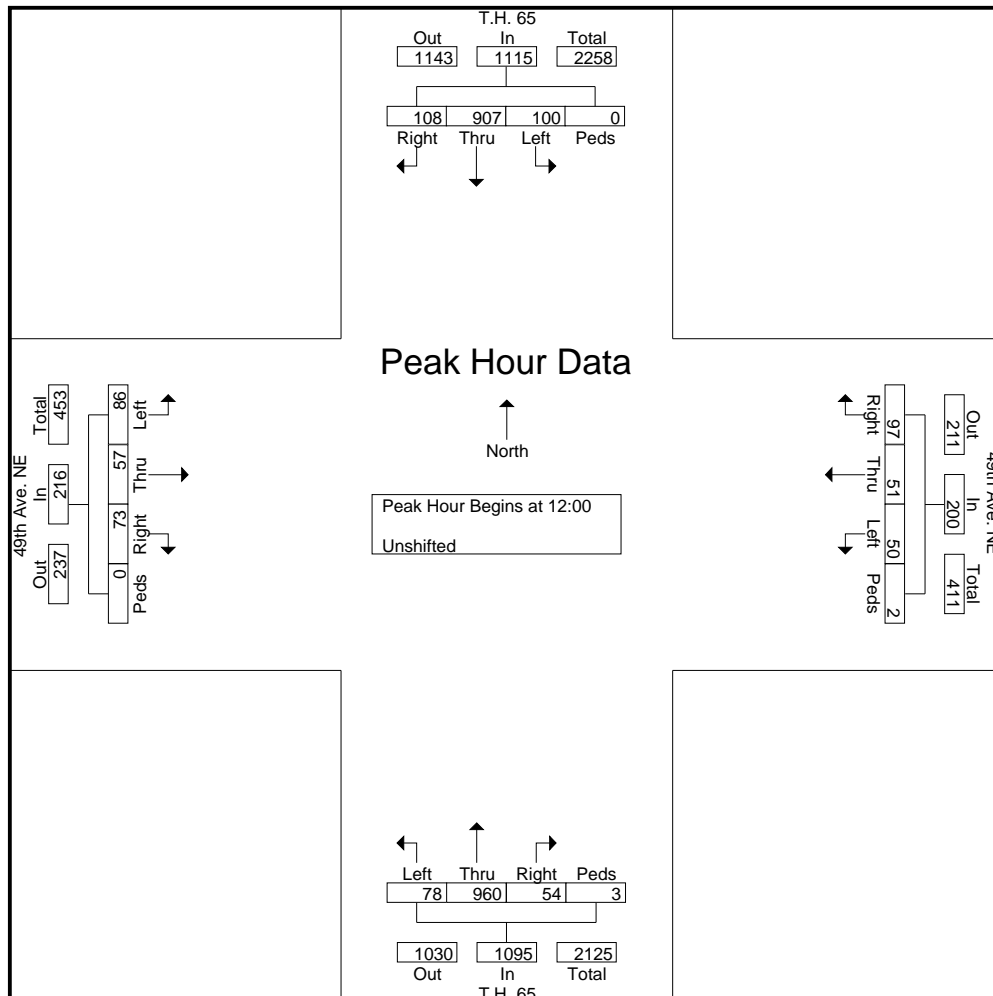


MINNESOTA DEPT OF TRANSPORTATION

TRAFFIC DATA COLLECTION - METRO

File Name : T.H. 65 at 49th
 Site Code : 00000006
 Start Date : 7/31/2003
 Page No : 4

Start Time	T.H. 65 Southbound					49th Ave. NE Westbound					T.H. 65 Northbound					49th Ave. NE Eastbound					Int. Total
	Left	Thru	Right	Peds	App. Total	Left	Thru	Right	Peds	App. Total	Left	Thru	Right	Peds	App. Total	Left	Thru	Right	Peds	App. Total	
Peak Hour Analysis From 11:00 to 12:45 - Peak 1 of 1																					
Peak Hour for Entire Intersection Begins at 12:00																					
12:00	20	211	32	0	263	10	13	21	0	44	16	201	18	0	235	22	13	20	0	55	597
12:15	20	226	28	0	274	11	21	31	0	63	21	273	13	1	308	20	20	23	0	63	708
12:30	27	222	29	0	278	13	8	25	0	46	27	215	13	1	256	21	13	12	0	46	626
12:45	33	248	19	0	300	16	9	20	2	47	14	271	10	1	296	23	11	18	0	52	695
Total Volume	100	907	108	0	1115	50	51	97	2	200	78	960	54	3	1095	86	57	73	0	216	2626
% App. Total	9	81.3	9.7	0		25	25.5	48.5	1		7.1	87.7	4.9	0.3		39.8	26.4	33.8	0		
PHF	.758	.914	.844	.000	.929	.781	.607	.782	.250	.794	.722	.879	.750	.750	.889	.935	.713	.793	.000	.857	.927





MINNESOTA DEPT OF TRANSPORTATION

TRAFFIC DATA COLLECTION - METRO

File Name : T.H. 65 at 49th
 Site Code : 00000006
 Start Date : 7/31/2003
 Page No : 5

Start Time	T.H. 65 Southbound					49th Ave. NE Westbound					T.H. 65 Northbound					49th Ave. NE Eastbound					Int. Total
	Left	Thru	Right	Peds	App. Total	Left	Thru	Right	Peds	App. Total	Left	Thru	Right	Peds	App. Total	Left	Thru	Right	Peds	App. Total	
Peak Hour Analysis From 15:00 to 17:45 - Peak 1 of 1																					
Peak Hour for Entire Intersection Begins at 16:45																					
16:45	32	240	29	1	302	13	21	37	5	76	7	308	7	0	322	33	31	12	6	82	782
17:00	21	219	19	0	259	12	25	36	1	74	18	306	9	0	333	29	24	13	0	66	732
17:15	31	188	18	0	237	18	22	42	3	85	21	310	18	0	349	26	27	15	1	69	740
17:30	10	282	27	0	319	14	23	34	1	72	14	278	13	0	305	22	27	23	1	73	769
Total Volume	94	929	93	1	1117	57	91	149	10	307	60	1202	47	0	1309	110	109	63	8	290	3023
% App. Total	8.4	83.2	8.3	0.1		18.6	29.6	48.5	3.3		4.6	91.8	3.6	0		37.9	37.6	21.7	2.8		
PHF	.734	.824	.802	.250	.875	.792	.910	.887	.500	.903	.714	.969	.653	.000	.938	.833	.879	.685	.333	.884	.966

