

Location: TH 65 at 41st Ave  
 Count Date: 4/20/2017  
 Counted By: JDA



**TURNING MOVEMENT COUNT DATA**  
 All Vehicles

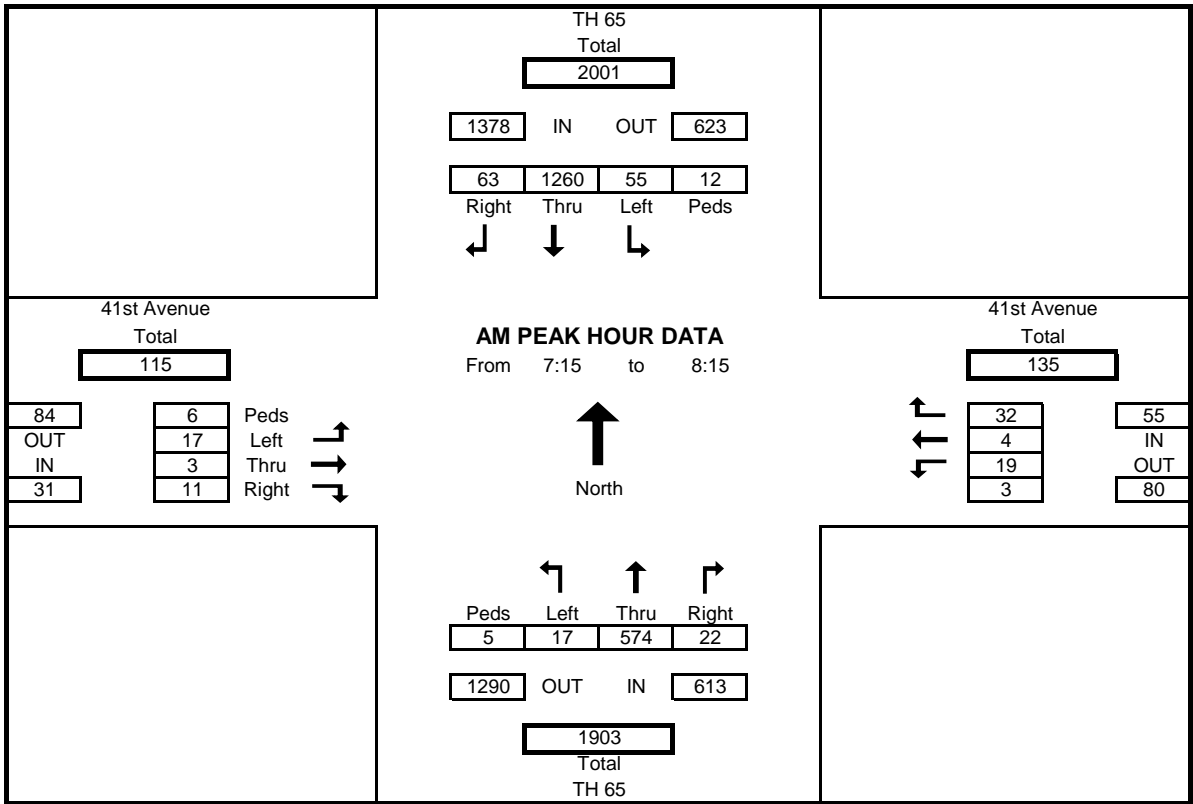
Start Time	TH 65				41st Avenue				TH 65				41st Avenue				Int. Total
	Southbound				Westbound				Northbound				Eastbound				
	Left	Thru	Right	Peds	Left	Thru	Right	Peds	Left	Thru	Right	Peds	Left	Thru	Right	Peds	
6:00	2	123	6	3	3	1	3	2	1	49	0	3	0	1	2	5	191
6:15	3	153	6	0	1	0	3	0	3	76	3	1	3	0	1	0	252
6:30	6	196	7	1	2	1	2	0	0	72	4	1	1	0	1	0	292
6:45	7	205	11	2	4	2	7	0	1	80	2	1	5	1	2	2	327
7:00	7	255	5	1	1	0	9	0	1	92	3	0	3	0	8	0	384
7:15	7	305	6	5	4	1	4	0	3	145	4	0	5	0	3	2	487
7:30	7	322	21	5	5	0	14	2	9	157	3	3	4	1	1	2	544
7:45	20	315	21	2	1	1	4	0	4	167	11	1	5	1	5	2	555
8:00	21	318	15	0	9	2	10	1	1	105	4	1	3	1	2	0	491
8:15	10	269	14	3	5	0	12	0	2	96	4	0	6	1	3	2	422
8:30	12	226	8	2	8	3	23	1	0	133	4	1	2	1	2	0	422
8:45	18	186	3	10	5	0	16	0	1	128	5	0	5	2	3	1	372
9:00	6	176	3	0	4	4	9	0	0	118	4	0	8	4	1	1	337
9:15	8	144	6	2	1	1	11	1	1	115	6	1	4	0	5	2	302
9:30	9	160	6	3	3	2	10	2	2	123	2	1	5	0	3	0	325
9:45	10	135	7	0	7	2	4	0	2	119	6	0	2	2	2	2	298
10:00	9	139	5	2	5	0	11	0	8	115	1	0	7	0	3	0	303
10:15	12	140	5	1	2	0	4	0	4	124	5	3	8	0	5	1	309
10:30	7	160	8	2	2	0	9	0	2	137	4	2	4	0	2	3	335
10:45	14	133	9	1	4	1	5	2	2	147	1	4	5	1	1	2	323
11:00	13	157	11	1	4	3	10	2	1	164	2	4	9	0	1	2	375
11:15	7	161	4	1	3	0	10	0	2	194	3	2	8	1	3	1	396
11:30	11	163	10	3	5	0	8	0	2	164	3	3	4	0	1	3	371
11:45	11	151	5	0	4	1	5	2	5	190	1	0	8	1	8	6	390
12:00	16	191	8	0	4	1	16	1	4	196	8	3	7	2	4	0	457
12:15	10	179	6	7	4	0	12	3	10	185	1	3	10	1	9	6	427
12:30	15	167	6	5	7	3	10	5	2	200	1	0	8	1	2	0	422
12:45	16	185	8	2	3	3	6	0	3	175	4	2	10	0	2	1	415
13:00	10	200	8	4	3	0	3	1	4	196	4	2	10	1	1	3	440
13:15	10	167	8	5	4	0	6	2	6	193	5	1	6	1	5	4	411
13:30	3	167	6	1	3	0	9	1	3	170	4	2	11	1	3	1	380
13:45	5	162	8	1	3	1	9	1	4	198	1	1	6	1	2	1	400
14:00	7	142	8	0	4	2	9	0	4	219	9	1	11	1	1	0	417
14:15	13	170	12	0	4	0	8	1	2	221	8	7	11	1	2	6	452
14:30	20	186	14	1	11	2	13	0	7	239	6	2	4	1	2	7	505
14:45	12	175	9	2	2	4	16	3	14	255	10	2	9	5	3	2	514
15:00	17	163	10	2	2	2	12	0	3	276	4	1	16	1	3	2	509
15:15	30	217	10	2	2	1	11	0	4	250	9	5	8	2	2	6	546
15:30	16	192	7	5	15	4	22	0	6	314	4	0	15	2	6	4	603
15:45	11	172	12	1	9	4	25	3	11	324	10	1	8	3	2	3	591
16:00	10	175	11	6	3	0	6	0	4	374	3	2	5	0	3	4	594
16:15	14	211	7	0	4	3	9	0	3	355	4	4	8	0	1	6	619
16:30	12	183	11	3	3	0	6	2	4	425	6	3	16	1	3	2	670
16:45	8	204	14	2	8	1	9	1	1	295	6	3	11	0	2	5	559
17:00	14	189	6	11	11	4	11	1	11	426	8	6	7	2	4	3	693
17:15	19	217	8	2	4	2	9	2	7	371	4	8	5	1	2	3	649
17:30	16	181	15	7	5	3	15	0	3	360	7	10	10	0	9	1	624
17:45	14	191	8	4	5	0	11	0	3	262	5	2	9	1	5	1	514
18:00	12	183	11	5	6	1	12	0	10	307	13	5	6	1	3	2	565
18:15	12	200	12	0	4	0	10	0	9	243	9	2	5	0	1	0	505
18:30	13	192	17	1	4	1	10	0	9	198	5	0	4	4	3	1	460
18:45	8	173	8	0	2	1	7	0	8	182	1	1	7	3	2	1	402
Total	600	9826	470	129	231	68	505	42	216	10419	244	111	357	55	155	114	23146
Cars+	578	9476	454	126	161	61	462	30	211	10043	229	108	345	54	150	106	22224
Trucks	22	350	16	3	70	7	43	12	5	376	15	3	12	1	5	8	922
% Trucks	3.8	3.7	3.5	2.4	43.5	11.5	9.3	40.0	2.4	3.7	6.6	2.8	3.5	1.9	3.3	7.5	4.1
		3.7				17.5				3.8				3.3			

Location: TH 65 at 41st Ave  
 Count Date: 4/20/2017  
 Counted By: JDA



**AM PEAK HOUR TURNING MOVEMENT DATA**  
 All Vehicles

Start Time	TH 65				41st Avenue				TH 65				41st Avenue				Int. Total
	Southbound				Westbound				Northbound				Eastbound				
	Left	Thru	Right	Peds	Left	Thru	Right	Peds	Left	Thru	Right	Peds	Left	Thru	Right	Peds	
7:15	7	305	6	5	4	1	4	0	3	145	4	0	5	0	3	2	487
7:30	7	322	21	5	5	0	14	2	9	157	3	3	4	1	1	2	544
7:45	20	315	21	2	1	1	4	0	4	167	11	1	5	1	5	2	555
8:00	21	318	15	0	9	2	10	1	1	105	4	1	3	1	2	0	491
Total	55	1260	63	12	19	4	32	3	17	574	22	5	17	3	11	6	2077
% App. Total	4.0	90.6	4.5	0.9	1.4	0.3	2.3	0.2	1.2	41.3	1.6	0.4	1.2	0.2	0.8	0.4	
PHF	0.655	0.978	0.750	0.600	0.528	0.500	0.571	0.375	0.472	0.859	0.500	0.417	0.850	0.750	0.550	0.750	0.936
% Trucks	1.9	3.2	3.3	9.1	46.2	0.0	6.7	0.0	0.0	5.5	0.0	0.0	30.8	0.0	0.0	20.0	4.2
	3.1				17.0				5.1				14.8				

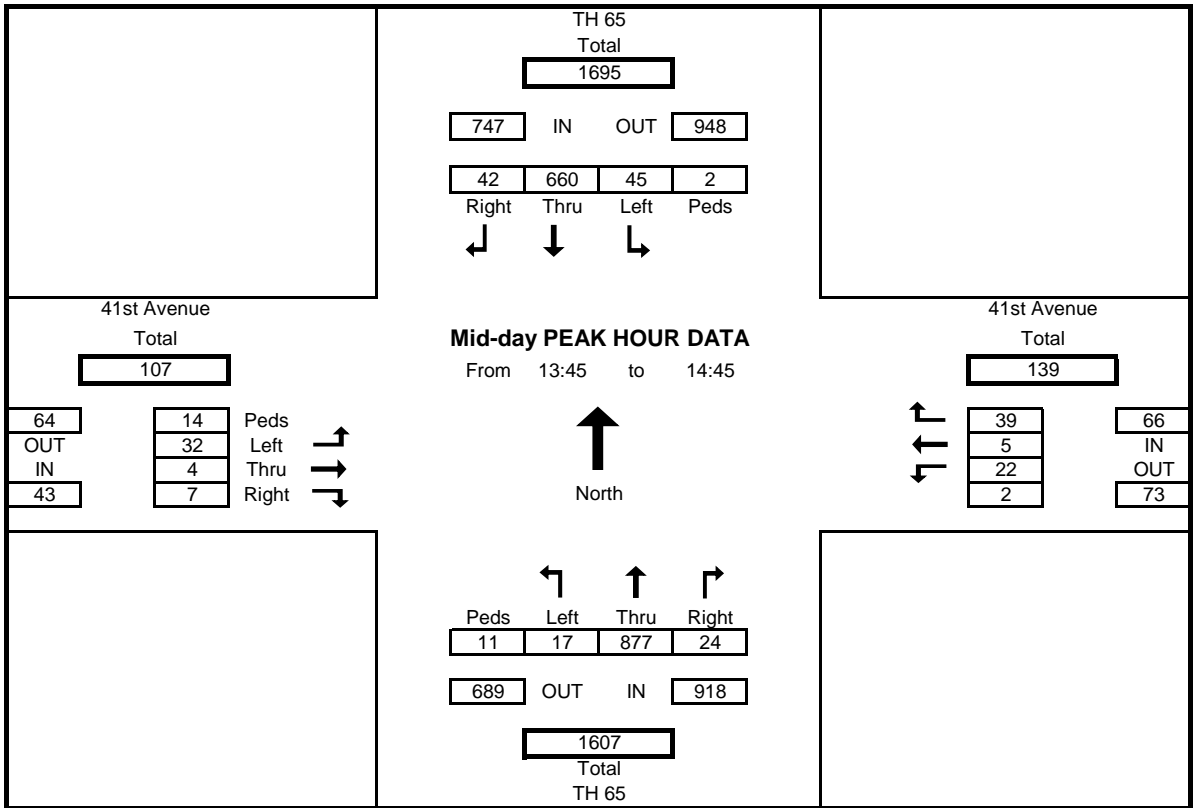


Location: TH 65 at 41st Ave  
 Count Date: 4/20/2017  
 Counted By: JDA



**Mid-Day PEAK HOUR TURNING MOVEMENT DATA**  
 All Vehicles

Start Time	TH 65				41st Avenue				TH 65				41st Avenue				Int. Total
	Southbound				Westbound				Northbound				Eastbound				
	Left	Thru	Right	Peds	Left	Thru	Right	Peds	Left	Thru	Right	Peds	Left	Thru	Right	Peds	
13:45	5	162	8	1	3	1	9	1	4	198	1	1	6	1	2	1	400
14:00	7	142	8	0	4	2	9	0	4	219	9	1	11	1	1	0	417
14:15	13	170	12	0	4	0	8	1	2	221	8	7	11	1	2	6	452
14:30	20	186	14	1	11	2	13	0	7	239	6	2	4	1	2	7	505
<b>Total</b>	<b>45</b>	<b>660</b>	<b>42</b>	<b>2</b>	<b>22</b>	<b>5</b>	<b>39</b>	<b>2</b>	<b>17</b>	<b>877</b>	<b>24</b>	<b>11</b>	<b>32</b>	<b>4</b>	<b>7</b>	<b>14</b>	<b>1774</b>
% App. Total	6.0	88.1	5.6	0.3	2.9	0.7	5.2	0.3	2.3	117.1	3.2	1.5	4.3	0.5	0.9	1.9	
PHF	0.563	0.887	0.750	0.500	0.500	0.625	0.750	0.500	0.607	0.917	0.667	0.393	0.727	1.000	0.875	0.500	0.878
% Trucks	9.8	4.6	10.5	0.0	46.7	25.0	11.4	100.0	0.0	5.0	9.1	0.0	0.0	0.0	16.7	0.0	5.6
		5.2				22.2				5.0				2.4			



Location: TH 65 at 41st Ave  
 Count Date: 4/20/2017  
 Counted By: JDA

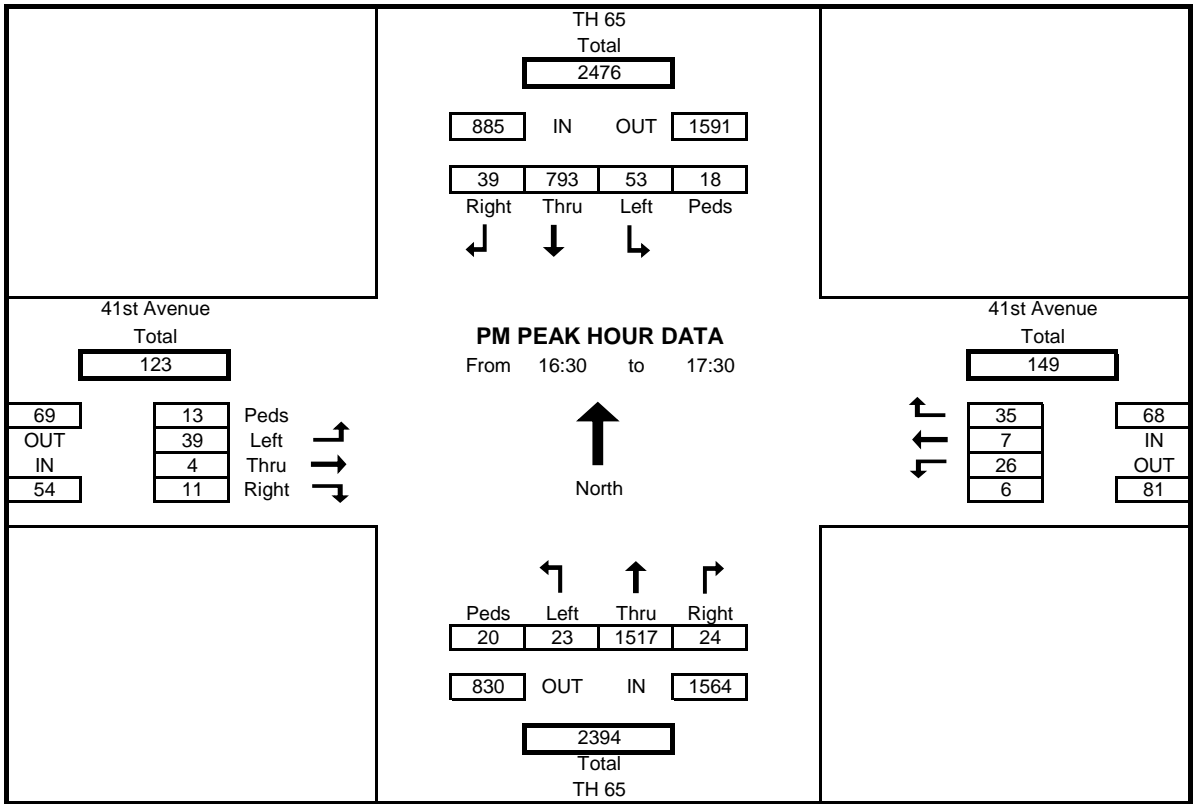


**AM PEAK HOUR TURNING MOVEMENT DATA**  
 All Vehicles

Start Time	TH 65 Southbound				41st Avenue Westbound				TH 65 Northbound				41st Avenue Eastbound				Int. Total
	Left	Thru	Right	Peds	Left	Thru	Right	Peds	Left	Thru	Right	Peds	Left	Thru	Right	Peds	
	16:30	12	183	11	3	3	0	6	2	4	425	6	3	16	1	3	
16:45	8	204	14	2	8	1	9	1	1	295	6	3	11	0	2	5	559
17:00	14	189	6	11	11	4	11	1	11	426	8	6	7	2	4	3	693
17:15	19	217	8	2	4	2	9	2	7	371	4	8	5	1	2	3	649
<b>Total</b>	<b>53</b>	<b>793</b>	<b>39</b>	<b>18</b>	<b>26</b>	<b>7</b>	<b>35</b>	<b>6</b>	<b>23</b>	<b>1517</b>	<b>24</b>	<b>20</b>	<b>39</b>	<b>4</b>	<b>11</b>	<b>13</b>	<b>2571</b>
% App. Total	5.9	87.8	4.3	2.0	2.9	0.8	3.9	0.7	2.5	168.0	2.7	2.2	4.3	0.4	1.2	1.4	
PHF	0.697	0.914	0.696	0.409	0.591	0.438	0.795	0.750	0.523	0.890	0.750	0.625	0.609	0.500	0.688	0.650	0.927

% Trucks	TH 65 Southbound				41st Avenue Westbound				TH 65 Northbound				41st Avenue Eastbound				Int. Total
	Left	Thru	Right	Peds	Left	Thru	Right	Peds	Left	Thru	Right	Peds	Left	Thru	Right	Peds	
	3.9	2.3	0.0	0.0	36.8	0.0	6.1	#DIV/0!	0.0	1.9	0.0	0.0	0.0	0.0	0.0	8.3	
		2.3				15.3				1.9				0.0			2.3



Location: TH 65 at 41st Ave  
 Count Date: 4/20/2017  
 Counted By: JDA



**TURNING MOVEMENT COUNT DATA**

Cars+

Start Time	TH 65				41st Avenue				TH 65				41st Avenue				Int. Total
	Southbound				Westbound				Northbound				Eastbound				
	Left	Thru	Right	Peds	Left	Thru	Right	Peds	Left	Thru	Right	Peds	Left	Thru	Right	Peds	
6:00	2	115	6	3	2	1	2	2	1	44	0	3	0	1	2	5	176
6:15	3	144	5	0	0	0	3	0	2	70	3	1	3	0	1	0	234
6:30	5	187	7	1	0	0	2	0	0	68	3	1	1	0	1	0	274
6:45	6	190	10	2	2	2	6	0	1	74	1	1	5	1	2	2	300
7:00	7	242	5	1	0	0	5	0	1	85	2	0	3	0	8	0	358
7:15	7	295	6	5	3	1	4	0	3	142	4	0	4	0	3	2	472
7:30	6	312	20	4	2	0	12	2	9	149	3	3	3	1	1	1	518
7:45	20	308	21	2	1	1	4	0	4	155	11	1	3	1	5	2	534
8:00	21	306	14	0	7	2	10	1	1	98	4	1	3	1	2	0	469
8:15	10	257	14	3	5	0	12	0	2	90	4	0	6	1	3	1	404
8:30	12	219	8	2	6	3	15	1	0	129	4	1	2	1	2	0	401
8:45	18	178	3	10	4	0	14	0	1	122	5	0	5	2	3	1	355
9:00	6	170	3	0	3	4	9	0	0	111	4	0	8	4	1	1	323
9:15	7	136	6	2	1	1	11	1	1	111	6	1	3	0	5	2	288
9:30	7	152	6	3	2	2	10	2	2	117	1	1	5	0	3	0	307
9:45	10	128	7	0	1	2	3	0	2	109	6	0	2	2	2	2	274
10:00	8	134	5	2	4	0	11	0	8	110	1	0	7	0	2	0	290
10:15	10	133	4	1	2	0	4	0	3	120	5	3	7	0	5	1	293
10:30	7	151	8	2	1	0	9	0	2	129	4	2	4	0	2	3	317
10:45	14	126	9	1	2	1	5	2	2	139	1	4	4	1	1	2	305
11:00	13	154	10	1	3	3	10	2	1	155	2	4	9	0	1	2	361
11:15	7	155	4	1	3	0	9	0	2	187	2	1	7	1	3	0	380
11:30	10	155	10	3	4	0	7	0	2	157	3	3	4	0	1	3	353
11:45	11	147	5	0	2	1	5	2	5	185	1	0	8	1	8	6	379
12:00	16	183	7	0	0	1	14	0	3	188	4	2	7	2	4	0	429
12:15	9	173	6	7	4	0	12	2	10	180	1	3	9	1	9	6	414
12:30	15	164	5	5	6	2	9	5	2	194	1	0	8	1	2	0	409
12:45	16	177	8	2	2	3	6	0	3	168	4	2	10	0	2	1	399
13:00	10	193	8	3	2	0	2	0	4	185	4	1	10	1	1	2	420
13:15	10	157	8	5	4	0	6	1	5	184	4	1	6	1	5	4	390
13:30	3	161	6	1	1	0	9	1	3	164	4	2	10	1	3	1	365
13:45	5	156	7	1	2	1	9	1	4	190	1	1	6	1	2	1	384
14:00	7	134	6	0	3	2	9	0	4	205	9	1	11	1	1	0	392
14:15	11	167	12	0	4	0	7	0	2	212	7	7	11	1	1	6	435
14:30	18	174	13	1	6	1	10	0	7	228	5	2	4	1	2	7	469
14:45	12	167	9	2	2	3	13	3	13	245	9	2	9	4	3	2	489
15:00	17	155	9	2	1	2	12	0	3	272	4	1	15	1	2	2	493
15:15	27	204	8	2	2	1	11	0	4	235	9	5	8	2	2	6	513
15:30	15	189	7	5	11	3	20	0	6	307	4	0	15	2	5	3	584
15:45	11	169	12	1	7	2	21	2	11	315	9	1	8	3	2	2	570
16:00	10	171	11	5	2	0	6	0	4	365	3	2	5	0	3	3	580
16:15	14	207	7	0	4	3	9	0	3	349	4	4	8	0	1	6	609
16:30	11	177	11	3	2	0	6	0	4	420	6	3	16	1	3	2	657
16:45	7	201	14	2	6	1	8	0	1	284	6	3	11	0	2	5	541
17:00	14	183	6	11	10	4	10	0	11	418	8	6	7	2	4	2	677
17:15	19	214	8	2	1	2	9	0	7	366	4	8	5	1	2	3	638
17:30	16	178	15	7	4	3	15	0	3	347	7	10	10	0	8	1	606
17:45	14	188	8	4	3	0	10	0	3	256	5	2	8	1	5	1	501
18:00	12	180	11	5	5	1	12	0	10	302	13	5	6	1	3	2	556
18:15	12	198	12	0	4	0	10	0	9	238	8	2	5	0	1	0	497
18:30	12	190	16	1	2	1	8	0	9	195	5	0	4	4	3	1	449
18:45	8	172	8	0	1	1	7	0	8	175	1	1	7	3	2	1	393
Total	578	9476	454	126	161	61	462	30	211	10043	229	108	345	54	150	106	22224
Cars+	578	9476	454	126	161	61	462	30	211	10043	229	108	345	54	150	106	22224
Trucks	22	350	16	3	70	7	43	12	5	376	15	3	12	1	5	8	922
% Trucks	3.8	3.7	3.5	2.4	43.5	11.5	9.3	40.0	2.4	3.7	6.6	2.8	3.5	1.9	3.3	7.5	4.1
		3.7				17.5				3.8				3.3			

Location: TH 65 at 41st Ave  
 Count Date: 4/20/2017  
 Counted By: JDA



**TURNING MOVEMENT COUNT DATA**  
**Heavy Vehicles**

Start Time	TH 65				41st Avenue				TH 65				41st Avenue				Int. Total	
	Southbound				Westbound				Northbound				Eastbound					
	Left	Thru	Right	Bikes	Left	Thru	Right	Bikes	Left	Thru	Right	Bikes	Left	Thru	Right	Bikes		
6:00	0	8	0	0	1	0	1	0	0	5	0	0	0	0	0	0	0	15
6:15	0	9	1	0	1	0	0	0	1	6	0	0	0	0	0	0	0	18
6:30	1	9	0	0	2	1	0	0	0	4	1	0	0	0	0	0	0	18
6:45	1	15	1	0	2	0	1	0	0	6	1	0	0	0	0	0	0	27
7:00	0	13	0	0	1	0	4	0	0	7	1	0	0	0	0	0	0	26
7:15	0	10	0	0	1	0	0	0	0	3	0	0	1	0	0	0	0	15
7:30	1	10	1	1	3	0	2	0	0	8	0	0	1	0	0	0	1	26
7:45	0	7	0	0	0	0	0	0	0	12	0	0	2	0	0	0	0	21
8:00	0	12	1	0	2	0	0	0	0	7	0	0	0	0	0	0	0	22
8:15	0	12	0	0	0	0	0	0	0	6	0	0	0	0	0	0	1	18
8:30	0	7	0	0	2	0	8	0	0	4	0	0	0	0	0	0	0	21
8:45	0	8	0	0	1	0	2	0	0	6	0	0	0	0	0	0	0	17
9:00	0	6	0	0	1	0	0	0	0	7	0	0	0	0	0	0	0	14
9:15	1	8	0	0	0	0	0	0	0	4	0	0	1	0	0	0	0	14
9:30	2	8	0	0	1	0	0	0	0	6	1	0	0	0	0	0	0	18
9:45	0	7	0	0	6	0	1	0	0	10	0	0	0	0	0	0	0	24
10:00	1	5	0	0	1	0	0	0	0	5	0	0	0	0	0	1	0	13
10:15	2	7	1	0	0	0	0	0	1	4	0	0	1	0	0	0	0	16
10:30	0	9	0	0	1	0	0	0	0	8	0	0	0	0	0	0	0	18
10:45	0	7	0	0	2	0	0	0	0	8	0	0	1	0	0	0	0	18
11:00	0	3	1	0	1	0	0	0	0	9	0	0	0	0	0	0	0	14
11:15	0	6	0	0	0	0	1	0	0	7	1	1	1	0	0	0	1	16
11:30	1	8	0	0	1	0	1	0	0	7	0	0	0	0	0	0	0	18
11:45	0	4	0	0	2	0	0	0	0	5	0	0	0	0	0	0	0	11
12:00	0	8	1	0	4	0	2	1	1	8	4	1	0	0	0	0	0	28
12:15	1	6	0	0	0	0	0	1	0	5	0	0	1	0	0	0	0	13
12:30	0	3	1	0	1	1	1	0	0	6	0	0	0	0	0	0	0	13
12:45	0	8	0	0	1	0	0	0	0	7	0	0	0	0	0	0	0	16
13:00	0	7	0	1	1	0	1	1	0	11	0	1	0	0	0	0	1	20
13:15	0	10	0	0	0	0	0	1	1	9	1	0	0	0	0	0	0	21
13:30	0	6	0	0	2	0	0	0	0	6	0	0	1	0	0	0	0	15
13:45	0	6	1	0	1	0	0	0	0	8	0	0	0	0	0	0	0	16
14:00	0	8	2	0	1	0	0	0	0	14	0	0	0	0	0	0	0	25
14:15	2	3	0	0	0	0	1	1	0	9	1	0	0	0	0	1	0	17
14:30	2	12	1	0	5	1	3	0	0	11	1	0	0	0	0	0	0	36
14:45	0	8	0	0	0	1	3	0	1	10	1	0	0	1	0	0	0	25
15:00	0	8	1	0	1	0	0	0	0	4	0	0	1	0	1	0	0	16
15:15	3	13	2	0	0	0	0	0	0	15	0	0	0	0	0	0	0	33
15:30	1	3	0	0	4	1	2	0	0	7	0	0	0	0	1	1	0	19
15:45	0	3	0	0	2	2	4	1	0	9	1	0	0	0	0	0	1	21
16:00	0	4	0	1	1	0	0	0	0	9	0	0	0	0	0	0	1	14
16:15	0	4	0	0	0	0	0	0	0	6	0	0	0	0	0	0	0	10
16:30	1	6	0	0	1	0	0	2	0	5	0	0	0	0	0	0	0	13
16:45	1	3	0	0	2	0	1	1	0	11	0	0	0	0	0	0	0	18
17:00	0	6	0	0	1	0	1	1	0	8	0	0	0	0	0	0	1	16
17:15	0	3	0	0	3	0	0	2	0	5	0	0	0	0	0	0	0	11
17:30	0	3	0	0	1	0	0	0	0	13	0	0	0	0	1	0	0	18
17:45	0	3	0	0	2	0	1	0	0	6	0	0	1	0	0	0	0	13
18:00	0	3	0	0	1	0	0	0	0	5	0	0	0	0	0	0	0	9
18:15	0	2	0	0	0	0	0	0	0	5	1	0	0	0	0	0	0	8
18:30	1	2	1	0	2	0	2	0	0	3	0	0	0	0	0	0	0	11
18:45	0	1	0	0	1	0	0	0	0	7	0	0	0	0	0	0	0	9
Total	22	350	16	3	70	7	43	12	5	376	15	3	12	1	5	8		922
Cars+	578	9476	454	126	161	61	462	30	211	10043	229	108	345	54	150	106		22224
Trucks	22	350	16	3	70	7	43	12	5	376	15	3	12	1	5	8		922
% Trucks	3.8	3.7	3.5	2.4	43.5	11.5	9.3	40.0	2.4	3.7	6.6	2.8	3.5	1.9	3.3	7.5		4.1
	3.7				17.5				3.8				3.3					