

MN Dept of Transportation

TRAFFIC DATA COLLECTION - Metro

Lexington Avenue at Dakota Drive
(south of TH-110, west of I-35E)

video AL / RE

TURN MOVEMENT COUNT

File Name : lexington ave at dakota dr 2016

Site Code :

Start Date : 3/22/2016

Page No : 1

Groups Printed- Cars +

Start Time	Lexington Ave. Southbound				Dakota Drive Westbound				Lexington Ave. Northbound				Dakota Drive Eastbound				Int. Total
	Left	Thru	Right	Peds	Left	Thru	Right	Peds	Left	Thru	Right	Peds	Left	Thru	Right	Peds	
06:00	8	29	4	0	0	0	3	0	0	12	0	0	0	0	0	0	56
06:15	14	27	3	0	2	1	8	0	0	23	3	0	0	0	0	0	81
06:30	13	48	10	0	2	3	2	0	2	22	0	0	0	0	0	0	102
06:45	23	65	11	0	2	1	7	0	1	35	4	0	0	0	0	0	149
Total	58	169	28	0	6	5	20	0	3	92	7	0	0	0	0	0	388
07:00	17	51	15	0	3	1	3	0	0	28	4	0	1	2	1	0	126
07:15	29	59	19	0	8	3	6	0	0	38	3	0	2	3	0	0	170
07:30	29	103	21	0	7	1	10	0	1	69	6	0	3	1	1	0	252
07:45	30	117	27	0	13	7	9	0	3	40	5	0	2	0	2	0	255
Total	105	330	82	0	31	12	28	0	4	175	18	0	8	6	4	0	803
08:00	21	77	22	0	3	0	9	0	0	41	2	0	1	1	1	0	178
08:15	23	76	21	0	4	2	7	0	1	34	1	0	2	1	0	0	172
08:30	15	65	14	0	2	1	5	0	2	39	4	0	4	1	3	0	155
08:45	12	63	25	0	5	2	6	0	2	52	1	0	2	2	1	0	173
Total	71	281	82	0	14	5	27	0	5	166	8	0	9	5	5	0	678
09:00	25	36	15	0	2	1	6	0	0	17	2	0	8	1	1	0	114
09:15	14	41	8	0	6	0	10	0	0	25	4	0	3	0	0	0	111
09:30	14	31	9	0	3	1	4	0	0	21	4	0	5	2	1	0	95
09:45	15	30	6	0	2	2	6	0	2	28	0	0	2	3	0	0	96
Total	68	138	38	0	13	4	26	0	2	91	10	0	18	6	2	0	416
10:00	12	19	2	0	2	0	13	0	0	19	3	0	4	2	1	0	77
10:15	10	27	5	0	1	2	6	0	1	20	6	0	1	0	0	0	79
10:30	17	12	6	0	1	1	4	0	1	16	3	0	12	2	1	0	76
10:45	11	17	6	0	1	1	7	0	1	20	1	0	5	0	1	0	71
Total	50	75	19	0	5	4	30	0	3	75	13	0	22	4	3	0	303
11:00	18	27	5	0	4	1	3	0	0	33	6	0	7	1	3	0	108
11:15	15	27	4	0	3	1	7	0	0	30	5	0	6	0	0	0	98
11:30	20	39	9	0	5	2	3	0	0	47	8	0	9	5	2	0	149
11:45	9	21	9	0	7	0	5	0	0	39	6	0	11	1	1	0	109
Total	62	114	27	0	19	4	18	0	0	149	25	0	33	7	6	0	464
12:00	14	35	11	0	8	2	9	0	0	55	4	0	14	2	2	0	156
12:15	22	42	16	0	1	2	10	0	0	30	0	0	9	4	2	0	138
12:30	19	50	8	0	6	3	8	0	2	43	7	0	8	3	2	0	159
12:45	20	50	5	0	3	2	2	0	2	44	2	0	8	3	2	0	143
Total	75	177	40	0	18	9	29	0	4	172	13	0	39	12	8	0	596
13:00	9	36	10	0	1	1	2	0	2	37	1	0	5	0	2	0	106
13:15	12	36	11	0	1	1	5	0	0	39	4	0	3	2	2	0	116
13:30	20	63	5	0	4	0	11	0	0	35	2	0	8	0	2	0	150
13:45	16	40	4	0	4	1	3	0	0	35	8	0	10	2	1	0	124
Total	57	175	30	0	10	3	21	0	2	146	15	0	26	4	7	0	496
14:00	22	32	7	0	5	2	11	0	1	42	6	0	13	2	1	0	144
14:15	17	21	5	0	3	4	5	0	1	37	7	0	6	4	2	0	112
14:30	19	41	7	0	5	2	6	0	0	47	2	0	9	1	0	0	139
14:45	22	35	3	0	4	1	7	0	0	39	4	0	7	1	1	0	124
Total	80	129	22	0	17	9	29	0	2	165	19	0	35	8	4	0	519
15:00	13	27	3	0	1	2	8	0	0	47	7	0	6	3	0	0	117
15:15	14	31	5	0	1	3	8	0	2	35	3	0	11	1	1	0	115
15:30	15	38	5	0	1	0	4	0	0	89	1	0	12	2	0	0	167
15:45	22	32	4	0	5	1	14	0	0	68	6	0	7	2	0	0	161
Total	64	128	17	0	8	6	34	0	2	239	17	0	36	8	1	0	560

MN Dept of Transportation

TRAFFIC DATA COLLECTION - Metro

Lexington Avenue at Dakota Drive
 (south of TH-110, west of I-35E)
 video AL / RE
 TURN MOVEMENT COUNT

File Name : lexington ave at dakota dr 2016
 Site Code :
 Start Date : 3/22/2016
 Page No : 2

Groups Printed- Cars +

Start Time	Lexington Ave. Southbound				Dakota Drive Westbound				Lexington Ave. Northbound				Dakota Drive Eastbound				Int. Total
	Left	Thru	Right	Peds	Left	Thru	Right	Peds	Left	Thru	Right	Peds	Left	Thru	Right	Peds	
16:00	22	35	2	0	1	1	11	0	1	92	10	0	16	3	0	0	194
16:15	11	34	0	0	3	0	8	0	0	85	4	0	9	3	1	0	158
16:30	20	47	2	0	3	2	10	0	2	119	11	0	15	6	1	0	238
16:45	28	42	2	0	7	0	10	0	0	92	4	0	11	0	1	0	197
Total	81	158	6	0	14	3	39	0	3	388	29	0	51	12	3	0	787
17:00	20	49	1	0	3	0	12	0	0	140	14	0	13	6	6	0	264
17:15	22	47	1	0	4	0	11	0	0	88	4	0	12	3	4	0	196
17:30	22	37	4	0	4	4	6	0	1	66	3	0	6	2	2	0	157
17:45	12	40	5	0	3	0	11	0	2	47	3	0	9	1	2	0	135
Total	76	173	11	0	14	4	40	0	3	341	24	0	40	12	14	0	752
Grand Total	847	2047	402	0	169	68	341	0	33	2199	198	0	317	84	57	0	6762
Apprch %	25.7	62.1	12.2	0	29.2	11.8	59	0	1.4	90.5	8.1	0	69.2	18.3	12.4	0	
Total %	12.5	30.3	5.9	0	2.5	1	5	0	0.5	32.5	2.9	0	4.7	1.2	0.8	0	

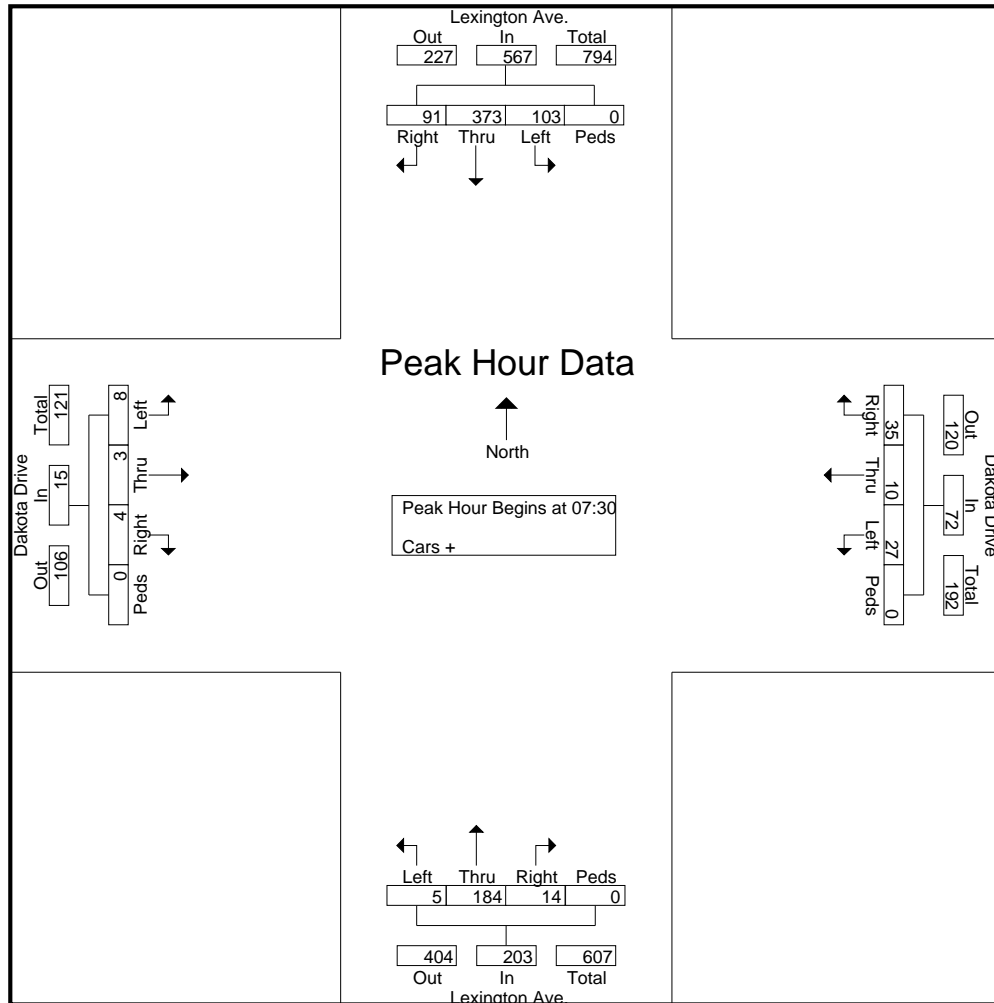
MN Dept of Transportation

TRAFFIC DATA COLLECTION - Metro

Lexington Avenue at Dakota Drive
 (south of TH-110, west of I-35E)
 video AL / RE
 TURN MOVEMENT COUNT

File Name : lexington ave at dakota dr 2016
 Site Code :
 Start Date : 3/22/2016
 Page No : 3

Start Time	Lexington Ave. Southbound					Dakota Drive Westbound					Lexington Ave. Northbound					Dakota Drive Eastbound					Int. Total
	Left	Thru	Right	Peds	App. Total	Left	Thru	Right	Peds	App. Total	Left	Thru	Right	Peds	App. Total	Left	Thru	Right	Peds	App. Total	
Peak Hour Analysis From 06:00 to 11:45 - Peak 1 of 1																					
Peak Hour for Entire Intersection Begins at 07:30																					
07:30	29	103	21	0	153	7	1	10	0	18	1	69	6	0	76	3	1	1	0	5	252
07:45	30	117	27	0	174	13	7	9	0	29	3	40	5	0	48	2	0	2	0	4	255
08:00	21	77	22	0	120	3	0	9	0	12	0	41	2	0	43	1	1	1	0	3	178
08:15	23	76	21	0	120	4	2	7	0	13	1	34	1	0	36	2	1	0	0	3	172
Total Volume	103	373	91	0	567	27	10	35	0	72	5	184	14	0	203	8	3	4	0	15	857
% App. Total	18.2	65.8	16	0		37.5	13.9	48.6	0		2.5	90.6	6.9	0		53.3	20	26.7	0		
PHF	.858	.797	.843	.000	.815	.519	.357	.875	.000	.621	.417	.667	.583	.000	.668	.667	.750	.500	.000	.750	.840



MN Dept of Transportation

TRAFFIC DATA COLLECTION - Metro

Lexington Avenue at Dakota Drive
 (south of TH-110, west of I-35E)
 video AL / RE
 TURN MOVEMENT COUNT

File Name : lexington ave at dakota dr 2016
 Site Code :
 Start Date : 3/22/2016
 Page No : 4

Start Time	Lexington Ave. Southbound					Dakota Drive Westbound					Lexington Ave. Northbound					Dakota Drive Eastbound					Int. Total
	Left	Thru	Right	Peds	App. Total	Left	Thru	Right	Peds	App. Total	Left	Thru	Right	Peds	App. Total	Left	Thru	Right	Peds	App. Total	
Peak Hour Analysis From 12:00 to 21:00 - Peak 1 of 1																					
Peak Hour for Entire Intersection Begins at 16:30																					
16:30	20	47	2	0	69	3	2	10	0	15	2	119	11	0	132	15	6	1	0	22	238
16:45	28	42	2	0	72	7	0	10	0	17	0	92	4	0	96	11	0	1	0	12	197
17:00	20	49	1	0	70	3	0	12	0	15	0	140	14	0	154	13	6	6	0	25	264
17:15	22	47	1	0	70	4	0	11	0	15	0	88	4	0	92	12	3	4	0	19	196
Total Volume	90	185	6	0	281	17	2	43	0	62	2	439	33	0	474	51	15	12	0	78	895
% App. Total	32	65.8	2.1	0		27.4	3.2	69.4	0		0.4	92.6	7	0		65.4	19.2	15.4	0		
PHF	.804	.944	.750	.000	.976	.607	.250	.896	.000	.912	.250	.784	.589	.000	.769	.850	.625	.500	.000	.780	.848

