



MINNESOTA DEPT OF TRANSPORTATION

TRAFFIC DATA COLLECTION - METRO

TH-62 at Portland Ave, south ramps

Ref.Pt.: 112.512

video RE

TURN MOVEMENT COUNT

File Name : TH-62 at Portland south ramp 2013

Site Code :

Start Date : 8/21/2013

Page No : 1

Groups Printed- Cars +

Start Time	Portland Ave Southbound				ramp to TH-62 EB Westbound				Portland Ave Northbound				ramp from TH-62 EB Eastbound				Int. Total
	Right	Thru	Left	Peds	Right	Thru	Left	Peds	Right	Thru	Left	Peds	Right	Thru	Left	Peds	
06:00	0	14	17	0	0	0	0	1	10	57	0	0	8	0	6	0	113
06:15	0	20	14	0	0	0	0	4	7	57	0	0	13	3	6	0	124
06:30	0	21	31	0	0	0	0	0	18	114	0	0	21	0	8	1	214
06:45	0	35	18	0	0	0	0	0	14	111	0	0	27	2	14	0	221
Total	0	90	80	0	0	0	0	5	49	339	0	0	69	5	34	1	672
07:00	0	51	34	0	0	0	0	0	12	154	0	0	41	0	8	0	300
07:15	0	60	33	0	0	0	0	2	22	184	0	0	52	1	6	0	360
07:30	0	80	64	0	0	0	0	0	26	209	0	0	55	32	19	2	487
07:45	0	93	45	0	0	0	0	0	12	151	0	0	80	141	27	0	549
Total	0	284	176	0	0	0	0	2	72	698	0	0	228	174	60	2	1696
08:00	0	62	47	0	0	0	0	0	21	125	0	0	78	81	37	0	451
08:15	0	51	36	0	0	0	0	1	16	137	0	0	76	60	16	0	393
08:30	0	59	25	0	0	0	0	0	17	129	0	1	56	15	18	0	320
08:45	0	63	33	0	0	0	0	0	25	93	0	0	49	3	14	0	280
Total	0	235	141	0	0	0	0	1	79	484	0	1	259	159	85	0	1444
***** BREAK *****																	
11:00	0	50	23	0	0	0	0	1	10	70	0	0	38	8	20	0	220
11:15	0	71	18	0	0	0	0	0	16	64	0	0	39	4	20	0	232
11:30	0	65	30	0	0	0	0	0	14	80	0	0	49	3	24	0	265
11:45	0	60	22	0	0	0	0	0	16	84	0	0	46	1	29	0	258
Total	0	246	93	0	0	0	0	1	56	298	0	0	172	16	93	0	975
12:00	0	72	25	0	0	0	0	0	10	91	0	0	38	3	27	0	266
12:15	0	72	27	0	0	0	0	0	16	85	0	0	53	4	35	0	292
12:30	0	64	23	0	0	0	0	0	13	104	0	0	59	4	35	0	302
12:45	0	89	25	0	0	0	0	0	22	113	0	0	53	0	22	0	324
Total	0	297	100	0	0	0	0	0	61	393	0	0	203	11	119	0	1184
***** BREAK *****																	
15:00	0	83	29	0	0	0	0	0	20	120	0	0	58	9	28	0	347
15:15	0	91	19	0	0	0	0	2	24	124	0	0	105	24	32	0	421
15:30	0	104	29	0	0	0	0	0	33	146	0	0	94	30	40	0	476
15:45	0	107	28	0	0	0	0	0	25	123	0	0	133	80	39	1	536
Total	0	385	105	0	0	0	0	2	102	513	0	0	390	143	139	1	1780
16:00	0	111	38	0	0	0	0	0	30	144	0	0	113	84	43	0	563
16:15	0	122	38	0	0	0	0	0	27	160	0	0	102	100	52	0	601
16:30	0	148	46	0	0	0	0	0	36	172	0	0	119	97	52	1	671
16:45	0	139	36	0	0	0	0	0	27	155	0	0	131	120	75	0	683
Total	0	520	158	0	0	0	0	0	120	631	0	0	465	401	222	1	2518
17:00	0	152	42	0	0	0	0	2	30	189	0	0	109	109	79	1	713
17:15	0	156	57	0	0	0	0	1	24	186	0	0	119	119	72	0	734
17:30	0	148	41	0	0	0	0	1	23	169	0	0	127	141	103	0	753
17:45	0	140	31	0	0	0	0	0	24	123	0	1	130	129	106	0	684
Total	0	596	171	0	0	0	0	4	101	667	0	1	485	498	360	1	2884
Grand Total	0	2653	1024	0	0	0	0	15	640	4023	0	2	2271	1407	1112	6	13153
Apprch %	0	72.2	27.8	0	0	0	0	100	13.7	86.2	0	0	47.4	29.3	23.2	0.1	
Total %	0	20.2	7.8	0	0	0	0	0.1	4.9	30.6	0	0	17.3	10.7	8.5	0	



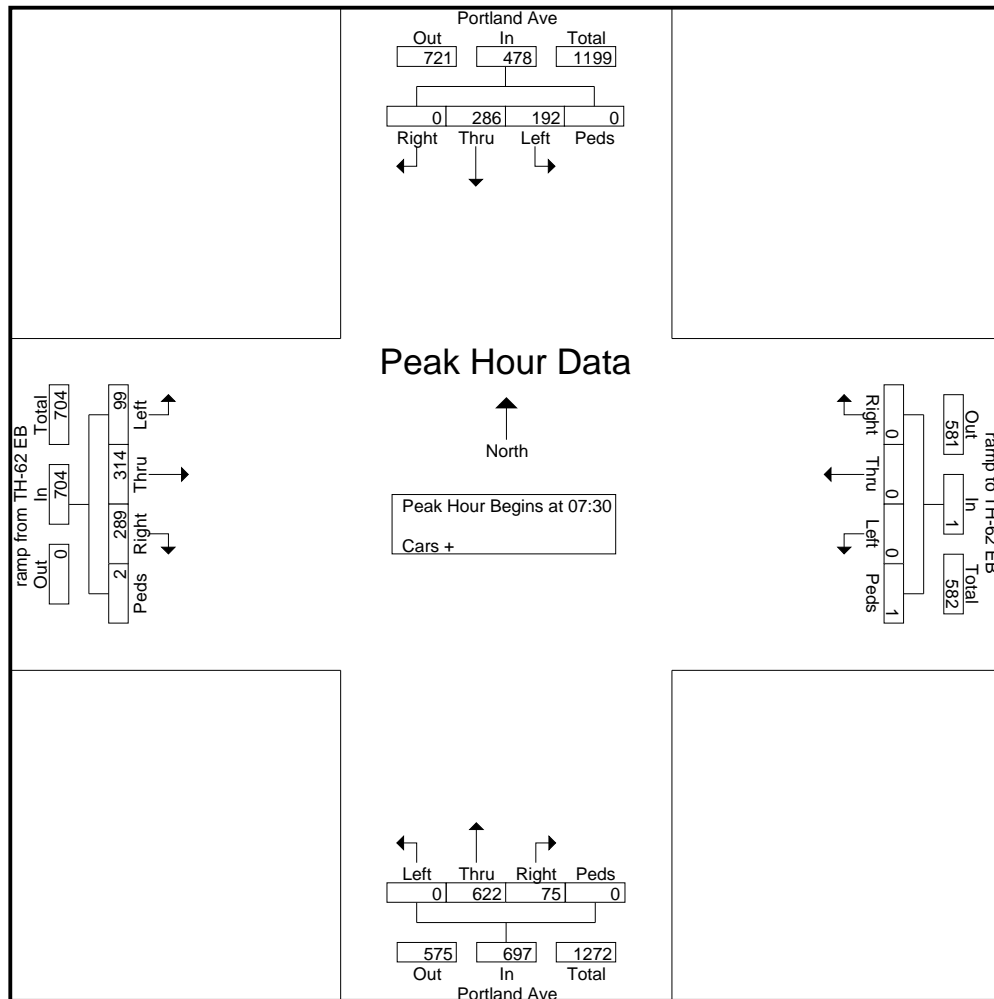
MINNESOTA DEPT OF TRANSPORTATION

TRAFFIC DATA COLLECTION - METRO

TH-62 at Portland Ave, south ramps
 Ref.Pt.: 112.512
 video RE
 TURN MOVEMENT COUNT

File Name : TH-62 at Portland south ramp 2013
 Site Code :
 Start Date : 8/21/2013
 Page No : 2

Start Time	Portland Ave Southbound					ramp to TH-62 EB Westbound					Portland Ave Northbound					ramp from TH-62 EB Eastbound					Int. Total
	Right	Thru	Left	Peds	App. Total	Right	Thru	Left	Peds	App. Total	Right	Thru	Left	Peds	App. Total	Right	Thru	Left	Peds	App. Total	
Peak Hour Analysis From 06:00 to 08:45 - Peak 1 of 1																					
Peak Hour for Entire Intersection Begins at 07:30																					
07:30	0	80	64	0	144	0	0	0	0	0	26	209	0	0	235	55	32	19	2	108	487
07:45	0	93	45	0	138	0	0	0	0	0	12	151	0	0	163	80	141	27	0	248	549
08:00	0	62	47	0	109	0	0	0	0	0	21	125	0	0	146	78	81	37	0	196	451
08:15	0	51	36	0	87	0	0	0	1	1	16	137	0	0	153	76	60	16	0	152	393
Total Volume	0	286	192	0	478	0	0	0	1	1	75	622	0	0	697	289	314	99	2	704	1880
% App. Total	0	59.8	40.2	0		0	0	0	100		10.8	89.2	0	0		41.1	44.6	14.1	0.3		
PHF	.000	.769	.750	.000	.830	.000	.000	.000	.250	.250	.721	.744	.000	.000	.741	.903	.557	.669	.250	.710	.856





MINNESOTA DEPT OF TRANSPORTATION

TRAFFIC DATA COLLECTION - METRO

TH-62 at Portland Ave, south ramps
 Ref.Pt.: 112.512
 video RE
 TURN MOVEMENT COUNT

File Name : TH-62 at Portland south ramp 2013
 Site Code :
 Start Date : 8/21/2013
 Page No : 3

Start Time	Portland Ave Southbound					ramp to TH-62 EB Westbound					Portland Ave Northbound					ramp from TH-62 EB Eastbound					Int. Total
	Rig ht	Thr u	Left	Ped s	App. Total	Rig ht	Thr u	Left	Ped s	App. Total	Right	Thr u	Left	Peds	App. Total	Right	Thr u	Left	Peds	App. Total	
Peak Hour Analysis From 15:00 to 17:45 - Peak 1 of 1																					
Peak Hour for Entire Intersection Begins at 17:00																					
17:00	0	152	42	0	194	0	0	0	2	2	30	189	0	0	219	109	109	79	1	298	713
17:15	0	156	57	0	213	0	0	0	1	1	24	186	0	0	210	119	119	72	0	310	734
17:30	0	148	41	0	189	0	0	0	1	1	23	169	0	0	192	127	141	103	0	371	753
17:45	0	140	31	0	171	0	0	0	0	0	24	123	0	1	148	130	129	106	0	365	684
Total Volume	0	596	171	0	767	0	0	0	4	4	101	667	0	1	769	485	498	360	1	1344	2884
% App. Total	0	77.7	22.3	0		0	0	0	100		13.1	86.7	0	0.1		36.1	37.1	26.8	0.1		
PHF	.000	.955	.750	.000	.900	.000	.000	.000	.500	.500	.842	.882	.000	.250	.878	.933	.883	.849	.250	.906	.958

