



MINNESOTA DEPT OF TRANSPORTATION

TRAFFIC DATA COLLECTION - METRO

TH-62 at Portland Ave, north ramps
 Ref.Pt.: 112.512
 video RE
 TURN MOVEMENT COUNT

File Name : TH-62 at Portland Ave N ramps 2013
 Site Code :
 Start Date : 8/21/2013
 Page No : 1

Groups Printed- Cars +

Start Time	Portland Ave Southbound				ramp from TH-62 WB Westbound				Portland Ave Northbound				ramp to TH-62 WB Eastbound				Int. Total	
	Right	Thru	Left	Peds	Right	Thru	Left	Peds	Right	Thru	Left	Peds	Right	Thru	Left	Peds		
06:00	5	28	0	0	12	0	0	1	0	24	40	0	0	0	0	0	1	111
06:15	3	29	0	0	4	0	7	1	0	17	44	0	0	0	0	0	0	105
06:30	5	45	0	0	13	0	8	0	0	38	86	0	0	0	0	0	0	195
06:45	4	45	0	0	11	0	14	0	0	34	92	0	0	0	0	0	0	200
Total	17	147	0	0	40	0	29	2	0	113	262	0	0	0	0	0	1	611
07:00	12	66	0	0	14	0	13	1	0	49	110	0	0	0	0	0	0	265
07:15	8	82	0	0	10	0	12	0	0	54	133	0	0	0	0	0	1	300
07:30	9	130	0	0	20	0	18	2	0	93	121	0	0	0	0	0	2	395
07:45	7	117	0	0	21	1	14	0	0	85	98	0	0	0	0	0	0	343
Total	36	395	0	0	65	1	57	3	0	281	462	0	0	0	0	0	3	1303
08:00	8	99	0	0	18	2	6	1	0	89	77	0	0	0	0	0	0	300
08:15	5	71	0	0	20	0	12	0	0	77	68	0	0	0	0	0	0	253
08:30	14	69	0	0	22	0	15	0	0	68	80	0	0	0	0	0	0	268
08:45	6	80	0	0	17	0	16	0	0	49	60	0	0	0	0	0	0	228
Total	33	319	0	0	77	2	49	1	0	283	285	0	0	0	0	0	0	1049
*****BREAK*****																		
11:00	10	61	0	0	18	0	10	1	0	48	42	0	0	0	0	0	0	190
11:15	9	66	0	0	15	0	23	0	0	50	33	0	0	0	0	0	0	196
11:30	6	79	0	0	18	0	16	0	0	62	44	0	0	0	0	0	0	225
11:45	9	77	0	0	27	0	14	0	0	75	54	0	0	0	0	0	0	256
Total	34	283	0	0	78	0	63	1	0	235	173	0	0	0	0	0	0	867
12:00	4	86	0	0	17	0	15	0	0	71	46	0	0	0	0	0	0	239
12:15	9	79	0	0	14	0	22	0	0	80	46	0	0	0	0	0	0	250
12:30	7	69	0	0	23	0	16	0	0	95	47	0	0	0	0	0	0	257
12:45	8	81	0	0	22	0	36	0	0	69	52	0	0	0	0	0	0	268
Total	28	315	0	0	76	0	89	0	0	315	191	0	0	0	0	0	0	1014
*****BREAK*****																		
15:00	3	97	0	0	29	0	23	3	0	82	66	0	0	0	0	0	0	303
15:15	5	91	0	0	40	0	22	4	0	103	58	0	0	0	0	0	4	327
15:30	5	112	0	0	31	1	25	1	0	118	67	0	0	0	0	0	0	360
15:45	4	108	0	0	24	0	25	1	0	104	49	0	0	0	0	0	3	318
Total	17	408	0	0	124	1	95	9	0	407	240	0	0	0	0	0	7	1308
16:00	3	125	0	0	36	0	24	0	0	122	67	0	0	0	0	0	0	377
16:15	8	141	0	0	19	0	20	0	0	135	69	0	0	0	0	0	0	392
16:30	9	171	0	1	30	0	14	1	0	149	64	0	0	0	0	0	1	440
16:45	7	159	0	0	20	0	27	0	0	168	59	0	0	0	0	0	0	440
Total	27	596	0	1	105	0	85	1	0	574	259	0	0	0	0	0	1	1649
17:00	9	170	0	0	33	1	19	2	0	189	79	0	0	0	0	0	1	503
17:15	3	179	0	0	38	1	21	1	0	179	65	0	0	0	0	0	0	487
17:30	6	179	0	1	34	2	12	1	0	191	71	0	0	0	0	0	0	497
17:45	8	157	0	0	34	0	25	0	0	168	55	0	0	0	0	0	0	447
Total	26	685	0	1	139	4	77	4	0	727	270	0	0	0	0	0	1	1934
Grand Total	218	3148	0	2	704	8	544	21	0	2935	2142	0	0	0	0	0	13	9735
Apprch %	6.5	93.5	0	0.1	55.1	0.6	42.6	1.6	0	57.8	42.2	0	0	0	0	0	100	
Total %	2.2	32.3	0	0	7.2	0.1	5.6	0.2	0	30.1	22	0	0	0	0	0.1		



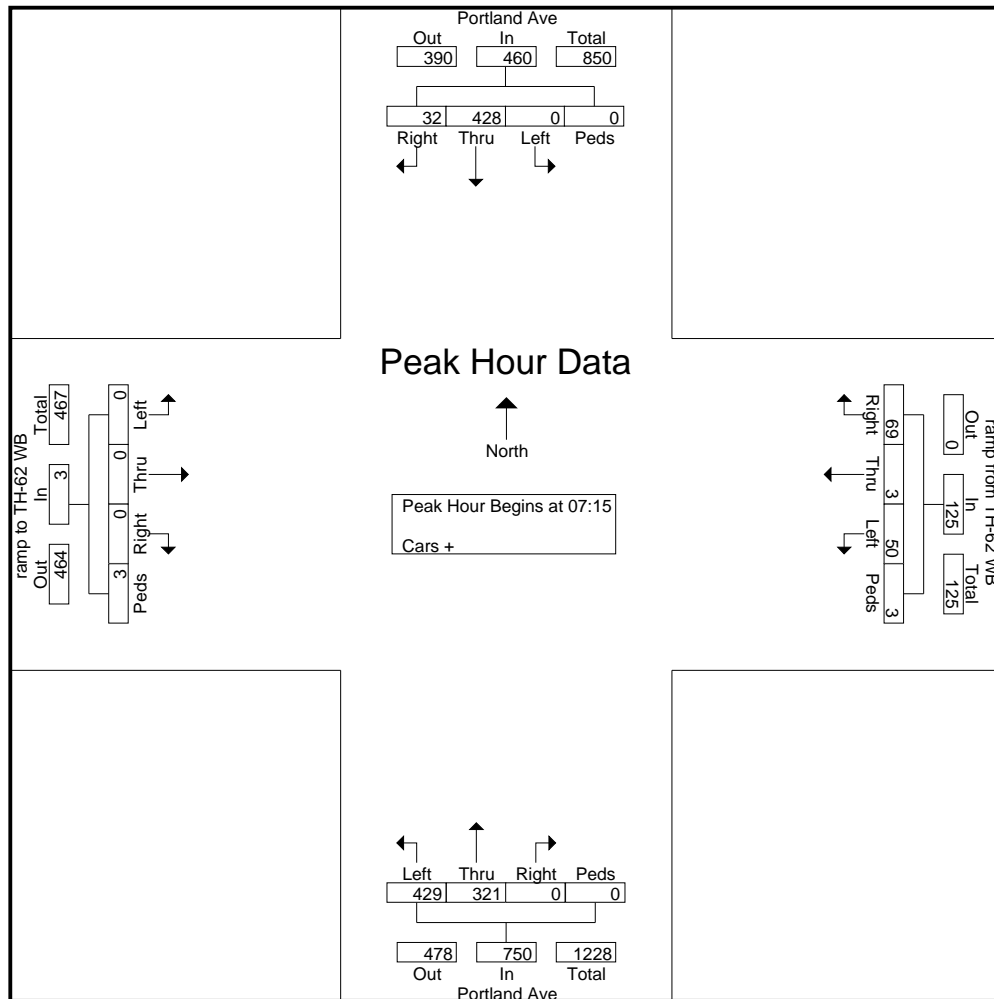
MINNESOTA DEPT OF TRANSPORTATION

TRAFFIC DATA COLLECTION - METRO

TH-62 at Portland Ave, north ramps
 Ref.Pt.: 112.512
 video RE
 TURN MOVEMENT COUNT

File Name : TH-62 at Portland Ave N ramps 2013
 Site Code :
 Start Date : 8/21/2013
 Page No : 2

Start Time	Portland Ave Southbound					ramp from TH-62 WB Westbound					Portland Ave Northbound					ramp to TH-62 WB Eastbound					Int. Total
	Right	Thru	Left	Peds	App. Total	Right	Thru	Left	Peds	App. Total	Right	Thru	Left	Peds	App. Total	Right	Thru	Left	Peds	App. Total	
Peak Hour Analysis From 06:00 to 08:45 - Peak 1 of 1																					
Peak Hour for Entire Intersection Begins at 07:15																					
07:15	8	82	0	0	90	10	0	12	0	22	0	54	133	0	187	0	0	0	1	1	300
07:30	9	130	0	0	139	20	0	18	2	40	0	93	121	0	214	0	0	0	2	2	395
07:45	7	117	0	0	124	21	1	14	0	36	0	85	98	0	183	0	0	0	0	0	343
08:00	8	99	0	0	107	18	2	6	1	27	0	89	77	0	166	0	0	0	0	0	300
Total Volume	32	428	0	0	460	69	3	50	3	125	0	321	429	0	750	0	0	0	3	3	1338
% App. Total	7	93	0	0		55.2	2.4	40	2.4		0	42.8	57.2	0		0	0	0	100		
PHF	.889	.823	.000	.000	.827	.821	.375	.694	.375	.781	.000	.863	.806	.000	.876	.000	.000	.000	.375	.375	.847





MINNESOTA DEPT OF TRANSPORTATION

TRAFFIC DATA COLLECTION - METRO

TH-62 at Portland Ave, north ramps
 Ref.Pt.: 112.512
 video RE
 TURN MOVEMENT COUNT

File Name : TH-62 at Portland Ave N ramps 2013
 Site Code :
 Start Date : 8/21/2013
 Page No : 3

Start Time	Portland Ave Southbound					ramp from TH-62 WB Westbound					Portland Ave Northbound					ramp to TH-62 WB Eastbound					Int. Total
	Rig ht	Thru	Left	Peds	App. Total	Rig ht	Thru	Left	Peds	App. Total	Right	Thru	Left	Peds	App. Total	Right	Thru	Left	Peds	App. Total	
Peak Hour Analysis From 15:00 to 17:45 - Peak 1 of 1																					
Peak Hour for Entire Intersection Begins at 17:00																					
17:00	9	170	0	0	179	33	1	19	2	55	0	189	79	0	268	0	0	0	1	1	503
17:15	3	179	0	0	182	38	1	21	1	61	0	179	65	0	244	0	0	0	0	0	487
17:30	6	179	0	1	186	34	2	12	1	49	0	191	71	0	262	0	0	0	0	0	497
17:45	8	157	0	0	165	34	0	25	0	59	0	168	55	0	223	0	0	0	0	0	447
Total Volume	26	685	0	1	712	139	4	77	4	224	0	727	270	0	997	0	0	0	1	1	1934
% App. Total	3.7	96.2	0	0.1		62.1	1.8	34.4	1.8		0	72.9	27.1	0		0	0	0	100		
PHF	.722	.957	.000	.250	.957	.914	.500	.770	.500	.918	.000	.952	.854	.000	.930	.000	.000	.000	.250	.250	.961

