



MINNESOTA DEPT OF TRANSPORTATION

TRAFFIC DATA COLLECTION - METRO

TH-55 at TH-149, SE Jct
 Ref.Pt.: 202.171
 JAMAR # 631 RE
 TURN MOVEMENT COUNT

File Name : TH-55 at TH-149 SE jct 2008 ampm
 Site Code : 00000000
 Start Date : 2/27/2008
 Page No : 1

Groups Printed- Cars & Trucks

Start Time	Holiday Drive Southbound				TH-55 Westbound				TH-149 Northbound				TH-55 / 149 Eastbound				Int. Total
	Left	Thru	Right	Peds	Left	Thru	Right	Peds	Left	Thru	Right	Peds	Left	Thru	Right	Peds	
06:00	1	5	11	0	5	102	11	0	64	9	3	0	7	34	49	0	301
06:15	8	3	9	0	5	159	17	0	97	14	2	0	7	46	87	0	454
06:30	2	9	16	0	1	198	18	0	119	16	3	0	7	49	79	0	517
06:45	3	2	9	0	10	198	18	0	132	32	4	0	10	67	104	0	589
Total	14	19	45	0	21	657	64	0	412	71	12	0	31	196	319	0	1861
07:00	7	8	17	0	13	221	33	0	187	28	2	0	12	58	105	0	691
07:15	1	6	24	0	6	256	24	0	199	31	8	0	3	62	168	0	788
07:30	7	8	23	0	8	241	24	4	175	36	0	0	9	87	170	1	793
07:45	6	11	11	0	5	280	19	0	179	42	2	0	10	73	210	0	848
Total	21	33	75	0	32	998	100	4	740	137	12	0	34	280	653	1	3120
08:00	5	7	16	0	9	218	17	0	129	32	0	0	14	81	211	0	739
08:15	7	13	19	0	3	176	27	0	112	28	1	0	7	68	162	0	623
08:30	7	9	21	0	7	142	11	0	135	16	2	0	10	71	135	0	566
*** BREAK ***																	
Total	19	29	56	0	19	536	55	0	376	76	3	0	31	220	508	0	1928
*** BREAK ***																	
14:30	16	8	13	0	10	95	9	1	77	11	4	1	9	75	77	0	406
14:45	5	9	16	0	5	95	12	0	84	9	6	0	9	116	111	0	477
Total	21	17	29	0	15	190	21	1	161	20	10	1	18	191	188	0	883
15:00	10	8	12	0	6	79	12	0	98	14	8	0	14	113	103	0	477
15:15	6	16	22	0	1	103	9	0	99	8	6	0	15	123	88	0	496
15:30	17	17	24	0	2	76	12	0	106	12	8	0	10	124	131	1	540
15:45	8	14	17	0	9	95	11	0	95	5	11	0	9	187	103	0	564
Total	41	55	75	0	18	353	44	0	398	39	33	0	48	547	425	1	2077
16:00	16	22	15	0	11	72	14	0	119	15	11	0	13	158	143	0	609
16:15	15	15	10	0	4	100	4	0	163	13	4	0	12	166	153	0	659
16:30	17	27	17	0	10	99	8	0	169	11	21	0	22	232	166	0	799
16:45	23	28	12	0	5	93	9	0	141	13	8	0	11	195	163	0	701
Total	71	92	54	0	30	364	35	0	592	52	44	0	58	751	625	0	2768
17:00	17	31	15	0	1	118	15	0	153	11	9	0	15	221	178	4	788
17:15	13	28	14	0	7	112	10	0	176	13	11	0	15	204	178	0	781
17:30	8	32	7	0	6	104	6	0	149	9	8	0	10	195	172	0	706
17:45	17	13	9	0	5	91	6	0	138	11	7	0	16	156	139	0	608
Total	55	104	45	0	19	425	37	0	616	44	35	0	56	776	667	4	2883
Grand Total	242	349	379	0	154	3523	356	5	3295	439	149	1	276	2961	3385	6	15520
Apprch %	24.9	36	39.1	0	3.8	87.2	8.8	0.1	84.8	11.3	3.8	0	4.2	44.7	51.1	0.1	
Total %	1.6	2.2	2.4	0	1	22.7	2.3	0	21.2	2.8	1	0	1.8	19.1	21.8	0	



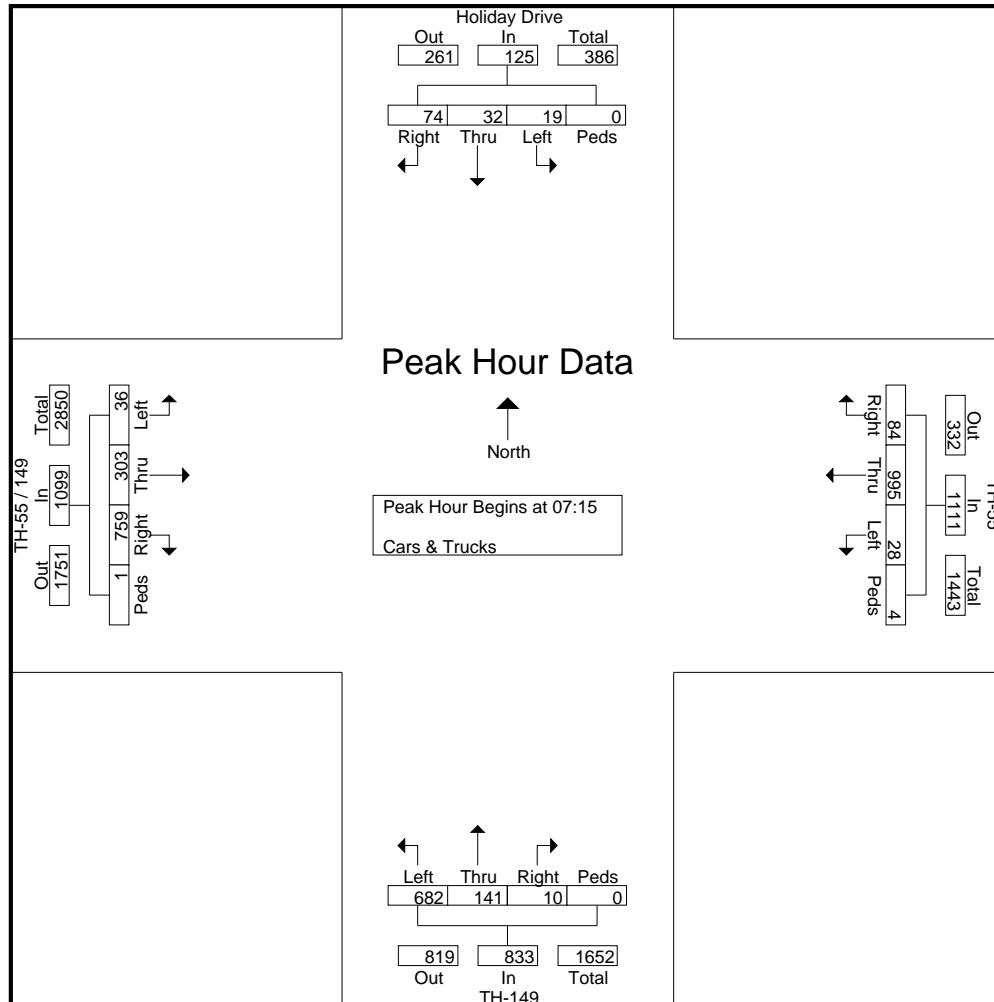
MINNESOTA DEPT OF TRANSPORTATION

TRAFFIC DATA COLLECTION - METRO

TH-55 at TH-149, SE Jct
 Ref.Pt.: 202.171
 JAMAR # 631 RE
 TURN MOVEMENT COUNT

File Name : TH-55 at TH-149 SE jct 2008 amp
 Site Code : 00000000
 Start Date : 2/27/2008
 Page No : 2

Start Time	Holiday Drive Southbound					TH-55 Westbound					TH-149 Northbound					TH-55 / 149 Eastbound					Int. Total
	Left	Thru	Right	Peds	App. Total	Left	Thru	Right	Peds	App. Total	Left	Thru	Right	Peds	App. Total	Left	Thru	Right	Peds	App. Total	
Peak Hour Analysis From 06:00 to 08:45 - Peak 1 of 1																					
Peak Hour for Entire Intersection Begins at 07:15																					
07:15	1	6	24	0	31	6	256	24	0	286	199	31	8	0	238	3	62	168	0	233	788
07:30	7	8	23	0	38	8	241	24	4	277	175	36	0	0	211	9	87	170	1	267	793
07:45	6	11	11	0	28	5	280	19	0	304	179	42	2	0	223	10	73	210	0	293	848
08:00	5	7	16	0	28	9	218	17	0	244	129	32	0	0	161	14	81	211	0	306	739
Total Volume	19	32	74	0	125	28	995	84	4	1111	682	141	10	0	833	36	303	759	1	1099	3168
% App. Total																					
PHF	.679	.727	.771	.000	.822	.778	.888	.875	.250	.914	.857	.839	.313	.000	.875	.643	.871	.899	.250	.898	.934





MINNESOTA DEPT OF TRANSPORTATION

TRAFFIC DATA COLLECTION - METRO

TH-55 at TH-149, SE Jct
 Ref.Pt.: 202.171
 JAMAR # 631 RE
 TURN MOVEMENT COUNT

File Name : TH-55 at TH-149 SE jct 2008 amp
 Site Code : 00000000
 Start Date : 2/27/2008
 Page No : 3

Start Time	Holiday Drive Southbound					TH-55 Westbound					TH-149 Northbound					TH-55 / 149 Eastbound					Int. Total
	Left	Thru	Right	Peds	App. Total	Left	Thru	Right	Peds	App. Total	Left	Thru	Right	Peds	App. Total	Left	Thru	Right	Peds	App. Total	
Peak Hour Analysis From 14:30 to 17:45 - Peak 1 of 1																					
Peak Hour for Entire Intersection Begins at 16:30																					
16:30	17	27	17	0	61	10	99	8	0	117	169	11	21	0	201	22	232	166	0	420	799
16:45	23	28	12	0	63	5	93	9	0	107	141	13	8	0	162	11	195	163	0	369	701
17:00	17	31	15	0	63	1	118	15	0	134	153	11	9	0	173	15	221	178	4	418	788
17:15	13	28	14	0	55	7	112	10	0	129	176	13	11	0	200	15	204	178	0	397	781
Total Volume	70	114	58	0	242	23	422	42	0	487	639	48	49	0	736	63	852	685	4	1604	3069
% App. Total																					
PHF	.761	.919	.853	.000	.960	.575	.894	.700	.000	.909	.908	.923	.583	.000	.915	.716	.918	.962	.250	.955	.960

