

Alliant Engineering

Minneapolis, MN 55415

--TRAFFIC DATA --

TH-55 at Mendota Heights Rd

File Name : 104 - TH 55 & Mendota Heights Rd

Site Code : 104

BY: Alliant Eng.

Start Date : 11/18/2014

TURN MOVEMENT COUNT

Page No : 1

Groups Printed- Cars - Trucks

Start Time	Mendota Heights Rd Southbound				TH 55 Westbound				Mendota Heights Rd Northbound				TH 55 Eastbound				Int. Total
	Left	Thru	Rght	Bikes	Left	Thru	Rght	Bikes	Left	Thru	Rght	Bikes	Left	Thru	Rght	Bikes	
06:00	11	8	15	0	0	148	11	0	0	8	4	0	8	135	6	0	354
06:15	15	12	15	0	0	242	15	0	1	9	6	0	16	137	7	0	475
06:30	14	21	15	0	4	260	21	0	2	11	5	0	7	202	13	0	575
06:45	11	23	21	0	6	291	16	0	3	16	10	0	14	267	21	0	699
Total	51	64	66	0	10	941	63	0	6	44	25	0	45	741	47	0	2103
07:00	19	23	17	0	3	336	16	0	2	15	5	0	22	184	19	0	661
07:15	24	19	30	0	4	347	29	0	1	31	4	0	32	250	21	0	792
07:30	19	40	38	0	8	336	41	0	3	44	6	0	34	255	26	0	850
07:45	33	48	47	0	14	297	48	0	1	42	9	0	28	271	17	0	855
Total	95	130	132	0	29	1316	134	0	7	132	24	0	116	960	83	0	3158
08:00	16	27	36	0	9	258	37	0	1	33	7	0	20	286	26	0	756
08:15	21	25	18	0	7	254	36	0	2	19	8	0	26	258	23	0	697
08:30	26	28	31	0	3	202	23	0	1	12	7	0	20	233	21	0	607
08:45	19	13	15	0	4	196	27	0	3	25	4	0	19	231	11	0	567
Total	82	93	100	0	23	910	123	0	7	89	26	0	85	1008	81	0	2627
09:00	18	17	14	0	4	156	15	0	2	21	2	0	14	190	10	0	463
09:15	12	10	17	0	1	177	21	0	0	10	6	0	7	165	5	0	431
*** BREAK ***																	
Total	30	27	31	0	5	333	36	0	2	31	8	0	21	355	15	0	894
*** BREAK ***																	
10:30	10	17	8	0	6	116	15	0	5	7	10	0	16	119	11	0	340
10:45	13	13	12	0	7	121	14	0	5	10	8	0	12	134	10	0	359
Total	23	30	20	0	13	237	29	0	10	17	18	0	28	253	21	0	699
11:00	17	15	11	0	4	121	17	0	6	13	10	0	10	105	4	0	333
11:15	14	15	8	0	6	106	20	0	3	9	11	0	9	111	3	0	315
11:30	16	13	15	0	6	149	16	0	1	20	9	0	10	109	6	0	370
11:45	41	12	15	0	4	116	23	0	7	10	10	0	16	111	6	0	371
Total	88	55	49	0	20	492	76	0	17	52	40	0	45	436	19	0	1389
12:00	26	13	8	0	6	119	15	0	2	20	4	0	14	143	1	0	371
12:15	22	18	11	0	3	115	24	0	6	19	4	0	12	119	2	0	355
12:30	19	16	12	0	3	125	28	0	5	15	5	0	11	151	8	0	398
12:45	21	21	10	0	3	101	26	0	6	8	3	0	14	134	6	0	353
Total	88	68	41	0	15	460	93	0	19	62	16	0	51	547	17	0	1477
13:00	14	10	13	0	6	129	24	0	3	11	5	0	7	114	4	0	340
13:15	17	8	16	0	4	99	19	0	6	9	6	0	13	133	2	0	332
*** BREAK ***																	
Total	31	18	29	0	10	228	43	0	9	20	11	0	20	247	6	0	672
*** BREAK ***																	
14:30	12	10	12	0	6	157	14	0	5	18	11	0	18	153	3	0	419
14:45	20	19	41	0	8	130	18	0	1	16	9	0	18	164	5	0	449
Total	32	29	53	0	14	287	32	0	6	34	20	0	36	317	8	0	868
15:00	9	13	30	0	3	201	25	0	1	18	5	0	17	182	2	0	506
15:15	23	22	34	0	5	166	20	0	2	22	3	0	19	209	5	0	530
15:30	17	27	25	0	9	270	29	0	10	37	9	0	17	220	6	0	676
15:45	17	17	38	0	3	206	28	0	8	30	6	0	12	219	1	0	585
Total	66	79	127	0	20	843	102	0	21	107	23	0	65	830	14	0	2297
16:00	27	24	31	0	4	288	24	0	9	27	9	0	10	216	2	0	671
16:15	21	20	33	0	3	249	17	0	4	25	6	0	10	310	3	0	701
16:30	34	20	41	0	6	303	25	0	8	28	19	0	14	285	1	0	784

Alliant Engineering

Minneapolis, MN 55415

--TRAFFIC DATA --

TH-55 at Mendota Heights Rd

File Name : 104 - TH 55 & Mendota Heights Rd

Site Code : 104

BY: Alliant Eng.

Start Date : 11/18/2014

TURN MOVEMENT COUNT

Page No : 2

Groups Printed- Cars - Trucks

Start Time	Mendota Heights Rd Southbound				TH 55 Westbound				Mendota Heights Rd Northbound				TH 55 Eastbound				Int. Total
	Left	Thru	Rght	Bikes	Left	Thru	Rght	Bikes	Left	Thru	Rght	Bikes	Left	Thru	Rght	Bikes	
16:45	29	13	35	0	5	256	21	0	6	40	8	0	19	266	3	0	701
Total	111	77	140	0	18	1096	87	0	27	120	42	0	53	1077	9	0	2857
17:00	29	29	29	0	1	275	38	0	8	42	10	0	16	281	2	0	760
17:15	37	29	41	0	9	278	31	0	9	43	4	0	18	266	5	0	770
17:30	16	19	45	0	2	229	19	0	5	31	6	0	18	266	4	0	660
17:45	11	12	22	0	3	221	14	0	2	23	5	0	14	214	1	0	542
Total	93	89	137	0	15	1003	102	0	24	139	25	0	66	1027	12	0	2732
Grand Total	790	759	925	0	192	8146	920	0	155	847	278	0	631	7798	332	0	21773
Apprch %	31.9	30.7	37.4	0	2.1	88	9.9	0	12.1	66.2	21.7	0	7.2	89	3.8	0	
Total %	3.6	3.5	4.2	0	0.9	37.4	4.2	0	0.7	3.9	1.3	0	2.9	35.8	1.5	0	
Cars	750	725	881	0	167	7693	886	0	148	808	250	0	606	7232	321	0	20467
% Cars	94.9	95.5	95.2	0	87	94.4	96.3	0	95.5	95.4	89.9	0	96	92.7	96.7	0	94
Trucks	40	34	44	0	25	453	34	0	7	39	28	0	25	566	11	0	1306
% Trucks	5.1	4.5	4.8	0	13	5.6	3.7	0	4.5	4.6	10.1	0	4	7.3	3.3	0	6

Alliant Engineering

Minneapolis, MN 55415

--TRAFFIC DATA --

TH-55 at Mendota Heights Rd

File Name : 104 - TH 55 & Mendota Heights Rd

Site Code : 104

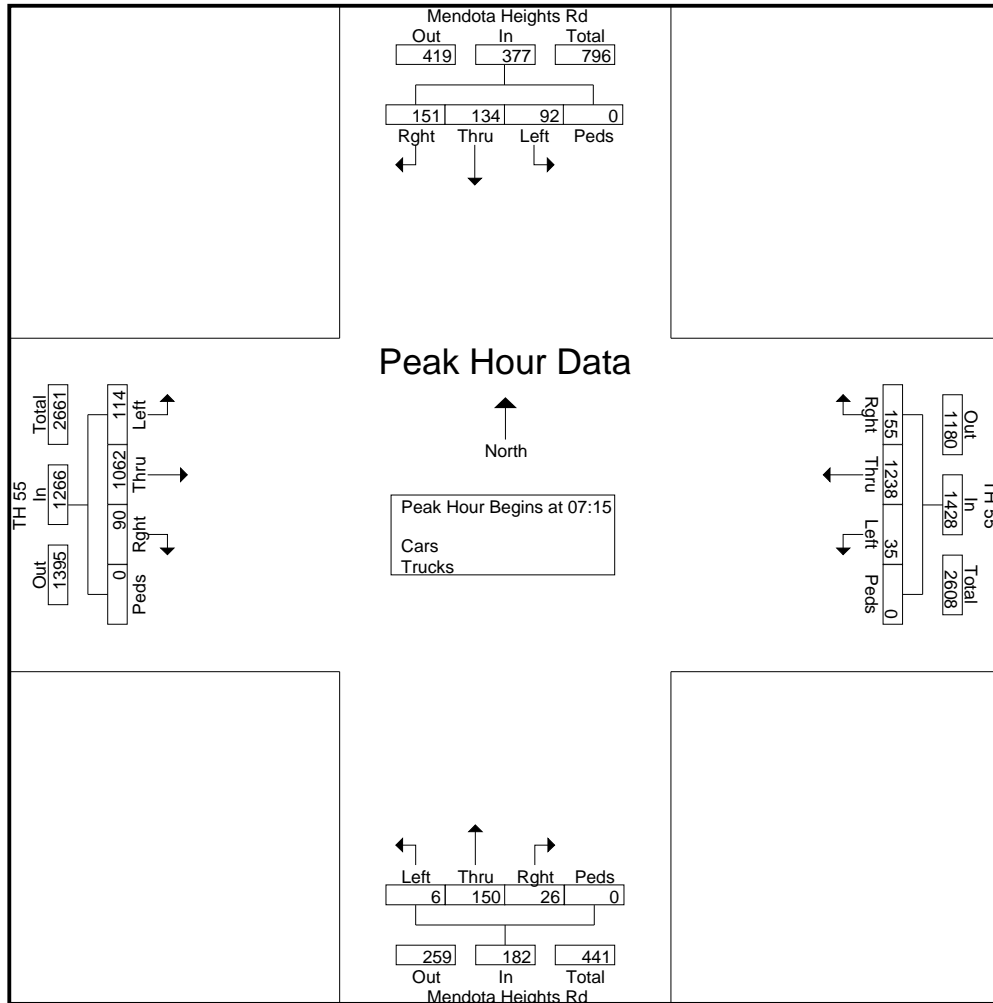
BY: Alliant Eng.

Start Date : 11/18/2014

TURN MOVEMENT COUNT

Page No : 3

Start Time	Mendota Heights Rd Southbound					TH 55 Westbound					Mendota Heights Rd Northbound					TH 55 Eastbound					Int. Total
	Left	Thru	Right	Bikes	App. Total	Left	Thru	Right	Bikes	App. Total	Left	Thru	Right	Bikes	App. Total	Left	Thru	Right	Bikes	App. Total	
Peak Hour Analysis From 06:00 to 11:45 - Peak 1 of 1																					
Peak Hour for Entire Intersection Begins at 07:15																					
07:15	24	19	30	0	73	4	347	29	0	380	1	31	4	0	36	32	250	21	0	303	792
07:30	19	40	38	0	97	8	336	41	0	385	3	44	6	0	53	34	255	26	0	315	850
07:45	33	48	47	0	128	14	297	48	0	359	1	42	9	0	52	28	271	17	0	316	855
08:00	16	27	36	0	79	9	258	37	0	304	1	33	7	0	41	20	286	26	0	332	756
Total Volume	92	134	151	0	377	35	1238	155	0	1428	6	150	26	0	182	114	1062	90	0	1266	3253
% App. Total	24.4	35.5	40.1	0		2.5	86.7	10.9	0		3.3	82.4	14.3	0		9	83.9	7.1	0		
PHF	.697	.698	.803	.000	.736	.625	.892	.807	.000	.927	.500	.852	.722	.000	.858	.838	.928	.865	.000	.953	.951



Alliant Engineering

Minneapolis, MN 55415

--TRAFFIC DATA --

TH-55 at Mendota Heights Rd

File Name : 104 - TH 55 & Mendota Heights Rd

Site Code : 104

BY: Alliant Eng.

Start Date : 11/18/2014

TURN MOVEMENT COUNT

Page No : 4

Start Time	Mendota Heights Rd Southbound					TH 55 Westbound					Mendota Heights Rd Northbound					TH 55 Eastbound					Int. Total
	Left	Thru	Rght	Bikes	App. Total	Left	Thru	Rght	Bikes	App. Total	Left	Thru	Rght	Bikes	App. Total	Left	Thru	Rght	Bikes	App. Total	
Peak Hour Analysis From 12:00 to 17:45 - Peak 1 of 1																					
Peak Hour for Entire Intersection Begins at 16:30																					
16:30	34	20	41	0	95	6	303	25	0	334	8	28	19	0	55	14	285	1	0	300	784
16:45	29	13	35	0	77	5	256	21	0	282	6	40	8	0	54	19	266	3	0	288	701
17:00	29	29	29	0	87	1	275	38	0	314	8	42	10	0	60	16	281	2	0	299	760
17:15	37	29	41	0	107	9	278	31	0	318	9	43	4	0	56	18	266	5	0	289	770
Total Volume	129	91	146	0	366	21	1112	115	0	1248	31	153	41	0	225	67	1098	11	0	1176	3015
% App. Total	35.2	24.9	39.9	0		1.7	89.1	9.2	0		13.8	68	18.2	0		5.7	93.4	0.9	0		
PHF	.872	.784	.890	.000	.855	.583	.917	.757	.000	.934	.861	.890	.539	.000	.938	.882	.963	.550	.000	.980	.961

