

Alliant Engineering, Inc.

233 Park Ave Suite 300
 Minneapolis, MN 55415
 --TRAFFIC DATA--

TH 55 and Meadow Lane
 Ref.Pt.: 187.525
 data by : Alliant Inc.
 TURN MOVEMENT COUNT

File Name : 427_TH 55 & Meadow Ln
 Site Code : 427
 Start Date : 2/21/2018
 Page No : 1

Groups Printed- Class 1 - Class 2

Start Time	Meadow Ln From North					TH 55 From East					Meadow Ln From South					TH 55 From West					Int. Total
	Other	Right	Thru	Left	App. Total	Other	Right	Thru	Left	App. Total	Other	Right	Thru	Left	App. Total	Other	Right	Thru	Left	App. Total	
06:00 AM	0	0	0	0	0	1	7	56	1	65	0	0	2	2	4	0	0	93	0	93	162
06:15 AM	0	0	0	0	0	0	8	78	2	88	0	2	1	0	3	0	0	121	1	122	213
06:30 AM	0	1	1	2	4	1	10	102	1	114	0	6	1	2	9	1	0	201	1	203	330
06:45 AM	0	0	0	4	4	0	22	86	4	112	0	4	1	0	5	0	2	245	6	253	374
Total	0	1	1	6	8	2	47	322	8	379	0	12	5	4	21	1	2	660	8	671	1079
07:00 AM	0	2	0	2	4	0	19	116	0	135	0	8	3	0	11	0	0	368	5	373	523
07:15 AM	0	2	0	0	2	0	37	162	0	199	0	4	3	0	7	0	0	465	3	468	676
07:30 AM	0	2	1	4	7	0	35	217	4	256	0	10	5	12	27	0	6	583	24	613	903
07:45 AM	0	4	1	4	9	0	41	206	8	255	1	6	4	8	19	0	1	478	13	492	775
Total	0	10	2	10	22	0	132	701	12	845	1	28	15	20	64	0	7	1894	45	1946	2877
08:00 AM	2	8	2	1	13	0	40	279	33	352	0	3	3	13	19	0	0	566	5	571	955
08:15 AM	0	2	2	3	7	0	37	305	8	350	0	2	10	9	21	0	1	486	13	500	878
08:30 AM	0	4	1	5	10	0	33	205	2	240	1	8	2	4	15	0	1	564	4	569	834
08:45 AM	0	7	0	2	9	0	31	146	4	181	0	1	0	1	2	0	2	463	6	471	663
Total	2	21	5	11	39	0	141	935	47	1123	1	14	15	27	57	0	4	2079	28	2111	3330
09:00 AM	0	2	0	3	5	0	18	100	0	118	0	1	1	5	7	0	1	263	2	266	396
09:15 AM	0	10	9	4	23	0	16	101	1	118	0	1	1	5	7	0	0	273	4	277	425
*** BREAK ***																					
Total	0	12	9	7	28	0	34	201	1	236	0	2	2	10	14	0	1	536	6	543	821
*** BREAK ***																					
10:30 AM	0	10	1	8	19	0	7	72	0	79	0	0	1	6	7	0	0	110	2	112	217
10:45 AM	0	12	0	2	14	0	12	89	2	103	0	0	0	7	7	0	4	101	10	115	239
Total	0	22	1	10	33	0	19	161	2	182	0	0	1	13	14	0	4	211	12	227	456
11:00 AM	0	23	0	16	39	0	8	95	0	103	0	4	2	4	10	0	1	96	3	100	252
11:15 AM	0	19	1	7	27	0	4	103	0	107	0	2	1	2	5	0	1	105	6	112	251
11:30 AM	0	25	0	8	33	0	8	99	0	107	0	1	2	2	5	0	4	129	10	143	288
11:45 AM	0	21	0	10	31	0	6	84	1	91	0	0	2	3	5	0	0	115	14	129	256
Total	0	88	1	41	130	0	26	381	1	408	0	7	7	11	25	0	6	445	33	484	1047
12:00 PM	0	32	1	11	44	0	12	100	1	113	0	3	0	2	5	0	1	120	11	132	294
12:15 PM	0	25	0	11	36	0	12	109	0	121	0	1	1	1	3	2	11	119	8	140	300
12:30 PM	0	28	3	12	43	0	18	104	2	124	0	0	0	2	2	0	0	137	9	146	315
12:45 PM	0	22	0	4	26	0	7	92	4	103	0	2	0	3	5	0	2	145	16	163	297
Total	0	107	4	38	149	0	49	405	7	461	0	6	1	8	15	2	14	521	44	581	1206
01:00 PM	0	31	0	2	33	0	4	109	3	116	0	4	1	1	6	0	2	144	14	160	315
01:15 PM	0	40	0	4	44	0	7	131	2	140	0	1	0	0	1	0	1	120	6	127	312
*** BREAK ***																					
Total	0	71	0	6	77	0	11	240	5	256	0	5	1	1	7	0	3	264	20	287	627
*** BREAK ***																					
02:30 PM	0	19	0	8	27	0	7	137	4	148	0	4	3	3	10	0	2	220	5	227	412
02:45 PM	0	11	0	15	26	0	8	150	1	159	0	2	0	4	6	0	3	202	13	218	409
Total	0	30	0	23	53	0	15	287	5	307	0	6	3	7	16	0	5	422	18	445	821
03:00 PM	12	21	4	9	46	0	10	188	2	200	0	1	0	2	3	0	2	219	10	231	480
03:15 PM	0	38	0	9	47	0	2	169	5	176	0	7	5	6	18	0	9	239	10	258	499
03:30 PM	0	27	4	20	51	0	3	207	5	215	0	2	0	2	4	1	2	295	5	303	573
03:45 PM	0	49	0	19	68	0	4	228	8	240	0	7	1	7	15	0	0	377	11	388	711
Total	12	135	8	57	212	0	19	792	20	831	0	17	6	17	40	1	13	1130	36	1180	2263
04:00 PM	0	75	0	38	113	0	8	219	8	235	0	2	0	3	5	0	2	557	8	567	920
04:15 PM	0	67	0	41	108	0	11	316	11	338	0	2	1	2	5	0	4	404	6	414	865
04:30 PM	0	67	0	99	166	2	6	368	8	384	0	5	0	6	11	1	0	571	3	575	1136

Alliant Engineering, Inc.

233 Park Ave Suite 300

Minneapolis, MN 55415

--TRAFFIC DATA--

TH 55 and Meadow Lane

Ref.Pt.: 187.525

data by : Alliant Inc.

TURN MOVEMENT COUNT

File Name : 427_TH 55 & Meadow Ln

Site Code : 427_____

Start Date : 2/21/2018

Page No : 2

Groups Printed- Class 1 - Class 2

Start Time	Meadow Ln From North					TH 55 From East					Meadow Ln From South					TH 55 From West					Int. Total
	Other	Rght	Thru	Left	App. Total	Other	Rght	Thru	Left	App. Total	Other	Rght	Thru	Left	App. Total	Other	Rght	Thru	Left	App. Total	
04:45 PM	0	58	0	35	93	0	8	383	1	392	0	10	1	2	13	0	0	712	1	713	1211
Total	0	267	0	213	480	2	33	1286	28	1349	0	19	2	13	34	1	6	2244	18	2269	4132
05:00 PM	0	71	3	49	123	1	2	401	16	420	0	2	1	1	4	0	9	640	2	651	1198
05:15 PM	2	47	4	59	112	0	6	403	7	416	0	7	0	4	11	0	1	623	6	630	1169
05:30 PM	0	42	0	27	69	1	7	301	4	313	0	3	0	2	5	0	3	424	6	433	820
05:45 PM	0	40	0	25	65	0	4	225	6	235	0	4	0	2	6	0	5	375	16	396	702
Total	2	200	7	160	369	2	19	1330	33	1384	0	16	1	9	26	0	18	2062	30	2110	3889
Grand Total	16	964	38	582	1600	6	545	7041	169	7761	2	132	59	140	333	5	83	12468	298	12854	22548
Apprch %	1	60.2	2.4	36.4		0.1	7	90.7	2.2		0.6	39.6	17.7	42		0	0.6	97	2.3		
Total %	0.1	4.3	0.2	2.6	7.1	0	2.4	31.2	0.7	34.4	0	0.6	0.3	0.6	1.5	0	0.4	55.3	1.3	57	
Class 1	16	951	35	572	1574	6	536	6840	158	7540	2	128	55	136	321	4	83	12186	285	12558	21993
% Class 1	100	98.7	92.1	98.3	98.4	100	98.3	97.1	93.5	97.2	100	97	93.2	97.1	96.4	80	100	97.7	95.6	97.7	97.5
Class 2	0	13	3	10	26	0	9	201	11	221	0	4	4	4	12	1	0	282	13	296	555
% Class 2	0	1.3	7.9	1.7	1.6	0	1.7	2.9	6.5	2.8	0	3	6.8	2.9	3.6	20	0	2.3	4.4	2.3	2.5

Alliant Engineering, Inc.

233 Park Ave Suite 300

Minneapolis, MN 55415

--TRAFFIC DATA--

TH 55 and Meadow Lane

Ref.Pt.: 187.525

data by : Alliant Inc.

TURN MOVEMENT COUNT

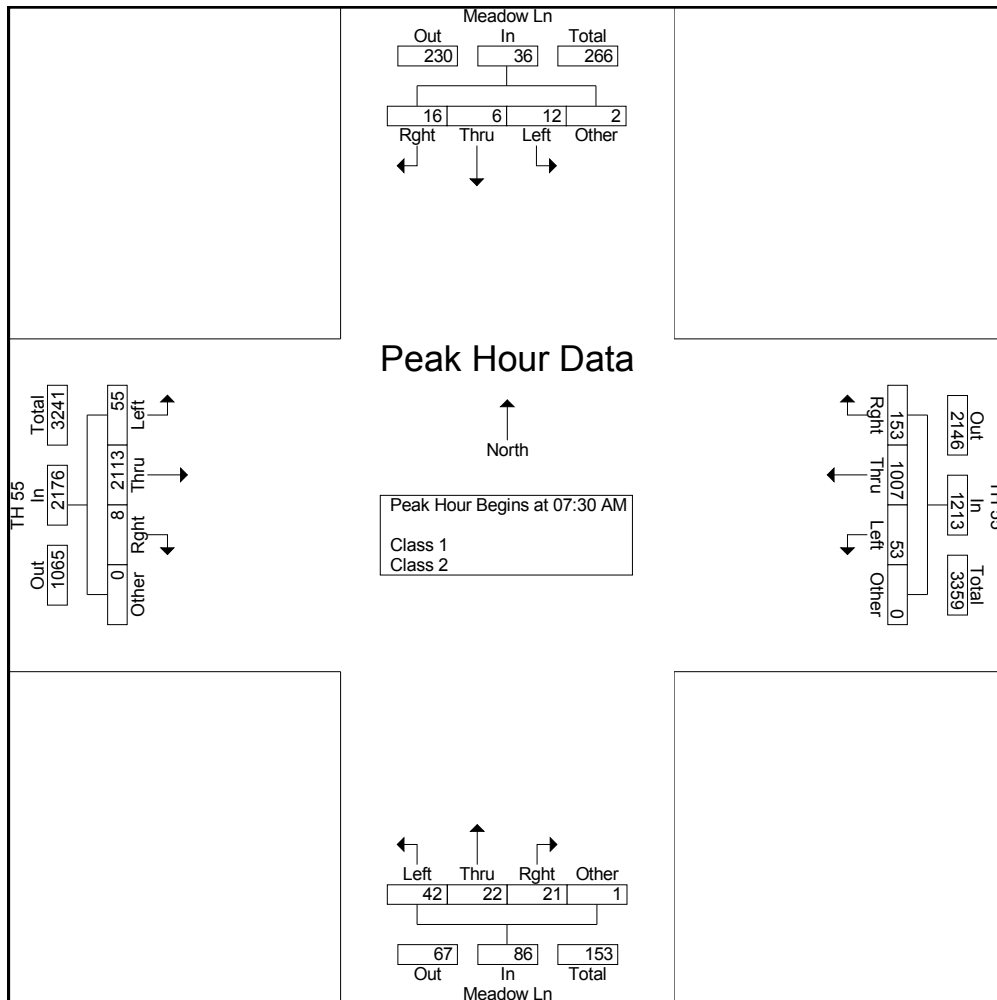
File Name : 427_TH 55 & Meadow Ln

Site Code : 427_____

Start Date : 2/21/2018

Page No : 3

Start Time	Meadow Ln From North					TH 55 From East					Meadow Ln From South					TH 55 From West					Int. Total
	Other	Right	Thru	Left	App. Total	Other	Right	Thru	Left	App. Total	Other	Right	Thru	Left	App. Total	Other	Right	Thru	Left	App. Total	
Peak Hour Analysis From 06:00 AM to 11:45 AM - Peak 1 of 1																					
Peak Hour for Entire Intersection Begins at 07:30 AM																					
07:30 AM	0	2	1	4	7	0	35	217	4	256	0	10	5	12	27	0	6	583	24	613	903
07:45 AM	0	4	1	4	9	0	41	206	8	255	1	6	4	8	19	0	1	478	13	492	775
08:00 AM	2	8	2	1	13	0	40	279	33	352	0	3	3	13	19	0	0	566	5	571	955
08:15 AM	0	2	2	3	7	0	37	305	8	350	0	2	10	9	21	0	1	486	13	500	878
Total Volume	2	16	6	12	36	0	153	1007	53	1213	1	21	22	42	86	0	8	2113	55	2176	3511
% App. Total	5.6	44.4	16.7	33.3		0	12.6	83	4.4		1.2	24.4	25.6	48.8		0	0.4	97.1	2.5		
PHF	.250	.500	.750	.750	.692	.000	.933	.825	.402	.862	.250	.525	.550	.808	.796	.000	.333	.906	.573	.887	.919



Alliant Engineering, Inc.

233 Park Ave Suite 300

Minneapolis, MN 55415

--TRAFFIC DATA--

TH 55 and Meadow Lane

Ref.Pt.: 187.525

data by : Alliant Inc.

TURN MOVEMENT COUNT

File Name : 427_TH 55 & Meadow Ln

Site Code : 427_____

Start Date : 2/21/2018

Page No : 4

Start Time	Meadow Ln From North					TH 55 From East					Meadow Ln From South					TH 55 From West					Int. Total
	Other	Rgh t	Thru	Left	App. Total	Other	Rgh t	Thru	Left	App. Total	Other	Rgh t	Thru	Left	App. Total	Other	Rgh t	Thru	Left	App. Total	
Peak Hour Analysis From 12:00 PM to 05:45 PM - Peak 1 of 1																					
Peak Hour for Entire Intersection Begins at 04:30 PM																					
04:30 PM	0	67	0	99	166	2	6	368	8	384	0	5	0	6	11	1	0	571	3	575	1136
04:45 PM	0	58	0	35	93	0	8	383	1	392	0	10	1	2	13	0	0	712	1	713	1211
05:00 PM	0	71	3	49	123	1	2	401	16	420	0	2	1	1	4	0	9	640	2	651	1198
05:15 PM	2	47	4	59	112	0	6	403	7	416	0	7	0	4	11	0	1	623	6	630	1169
Total Volume	2	243	7	242	494	3	22	1555	32	1612	0	24	2	13	39	1	10	2546	12	2569	4714
% App. Total	0.4	49.2	1.4	49		0.2	1.4	96.5	2		0	61.5	5.1	33.3		0	0.4	99.1	0.5		
PHF	.250	.856	.438	.611	.744	.375	.688	.965	.500	.960	.000	.600	.500	.542	.750	.250	.278	.894	.500	.901	.973

