

Alliant Engineering Inc Minneapolis, MN 55415

Xenium Lane at Industrial Park Blvd
Ref.Pt.: SW of TH-55
Alliant Engineering Inc
TURN MOVEMENT COUNT

File Name : 52_Xenium Ln at Industrial Park Blvd_012511
Site Code : 00000052
Start Date : 1/25/2011
Page No : 1

Groups Printed- Unshifted - Bank 1

Start Time	Xenium Lane Southbound				Industrial Park Blvd Westbound				Xenium Lane Northbound				Industrial Park Blvd Eastbound				Int. Total
	Left	Thru	Rght	Peds	Left	Thru	Rght	Peds	Left	Thru	Rght	Peds	Left	Thru	Rght	Peds	
06:00	3	48	4	0	2	10	2	0	1	13	4	0	0	1	1	0	89
06:15	3	95	11	0	1	10	0	0	4	26	5	0	2	3	0	0	160
06:30	14	87	11	0	3	4	4	0	2	35	5	0	3	2	1	0	171
06:45	12	137	15	0	2	7	1	0	2	50	4	0	4	1	0	0	235
Total	32	367	41	0	8	31	7	0	9	124	18	0	9	7	2	0	655
07:00	7	124	13	0	4	8	4	0	4	40	3	0	5	0	3	0	215
07:15	3	134	7	0	4	5	4	0	2	42	5	0	1	4	0	0	211
07:30	1	72	6	0	2	3	4	0	1	45	2	0	1	3	2	0	142
07:45	2	81	11	0	1	5	1	0	1	35	1	0	3	3	2	0	146
Total	13	411	37	0	11	21	13	0	8	162	11	0	10	10	7	0	714
08:00	6	75	10	0	3	8	3	0	4	33	2	0	4	3	2	0	153
08:15	1	42	10	0	0	1	3	0	2	30	3	0	8	2	1	0	103
08:30	2	45	5	0	2	3	2	0	1	30	4	0	4	3	1	0	102
08:45	2	40	5	0	5	4	3	0	3	29	5	0	2	5	2	0	105
Total	11	202	30	0	10	16	11	0	10	122	14	0	18	13	6	0	463
09:00	2	46	5	0	3	1	0	0	0	17	3	0	6	4	1	0	88
*** BREAK ***																	
Total	2	46	5	0	3	1	0	0	0	17	3	0	6	4	1	0	88
*** BREAK ***																	
10:30	2	46	5	0	1	4	2	0	1	27	0	0	4	2	3	0	97
10:45	4	51	6	0	0	2	6	0	1	45	0	0	4	1	0	0	120
Total	6	97	11	0	1	6	8	0	2	72	0	0	8	3	3	0	217
11:00	7	43	3	0	4	3	1	0	1	38	4	0	4	4	3	0	115
11:15	3	58	9	0	3	6	4	0	0	43	5	0	3	4	0	0	138
11:30	3	59	4	0	7	6	8	0	0	49	3	0	6	14	2	0	161
11:45	4	79	9	0	1	7	4	0	4	69	4	0	7	6	2	0	196
Total	17	239	25	0	15	22	17	0	5	199	16	0	20	28	7	0	610
12:00	12	64	3	0	6	3	8	0	3	72	4	0	16	9	0	0	200
12:15	3	54	1	0	3	7	5	0	2	42	2	0	6	6	3	0	134
12:30	6	54	9	0	4	6	3	0	3	45	5	0	4	7	3	0	149
12:45	6	54	10	0	3	3	4	0	7	62	2	0	5	5	3	0	164
Total	27	226	23	0	16	19	20	0	15	221	13	0	31	27	9	0	647
13:00	6	54	7	0	2	6	4	0	5	63	2	0	10	0	1	0	160
13:15	4	49	4	0	2	8	3	0	4	58	2	0	5	3	0	0	142
*** BREAK ***																	
Total	10	103	11	0	4	14	7	0	9	121	4	0	15	3	1	0	302
*** BREAK ***																	
14:30	6	15	3	0	5	36	3	0	7	20	24	1	6	35	3	0	164
14:45	6	46	6	0	1	5	4	0	2	40	9	0	4	2	3	0	128
Total	12	61	9	0	6	41	7	0	9	60	33	1	10	37	6	0	292
15:00	3	41	5	0	3	11	3	0	5	62	3	0	6	4	3	0	149
15:15	5	42	0	0	2	5	5	0	3	83	7	0	5	9	0	0	166
15:30	5	29	7	0	4	5	3	0	3	93	4	0	13	56	7	0	229
15:45	6	31	2	0	4	2	6	0	0	68	3	0	11	8	0	1	142
Total	19	143	14	0	13	23	17	0	11	306	17	0	35	77	10	1	686
16:00	9	49	3	0	5	1	15	0	3	122	7	0	10	5	1	0	230

Alliant Engineering Inc Minneapolis, MN 55415

Xenium Lane at Industrial Park Blvd
 Ref.Pt.: SW of TH-55
 Alliant Engineering Inc
 TURN MOVEMENT COUNT

File Name : 52_Xenium Ln at Industrial Park Blvd_012511
 Site Code : 00000052
 Start Date : 1/25/2011
 Page No : 2

Groups Printed- Unshifted - Bank 1

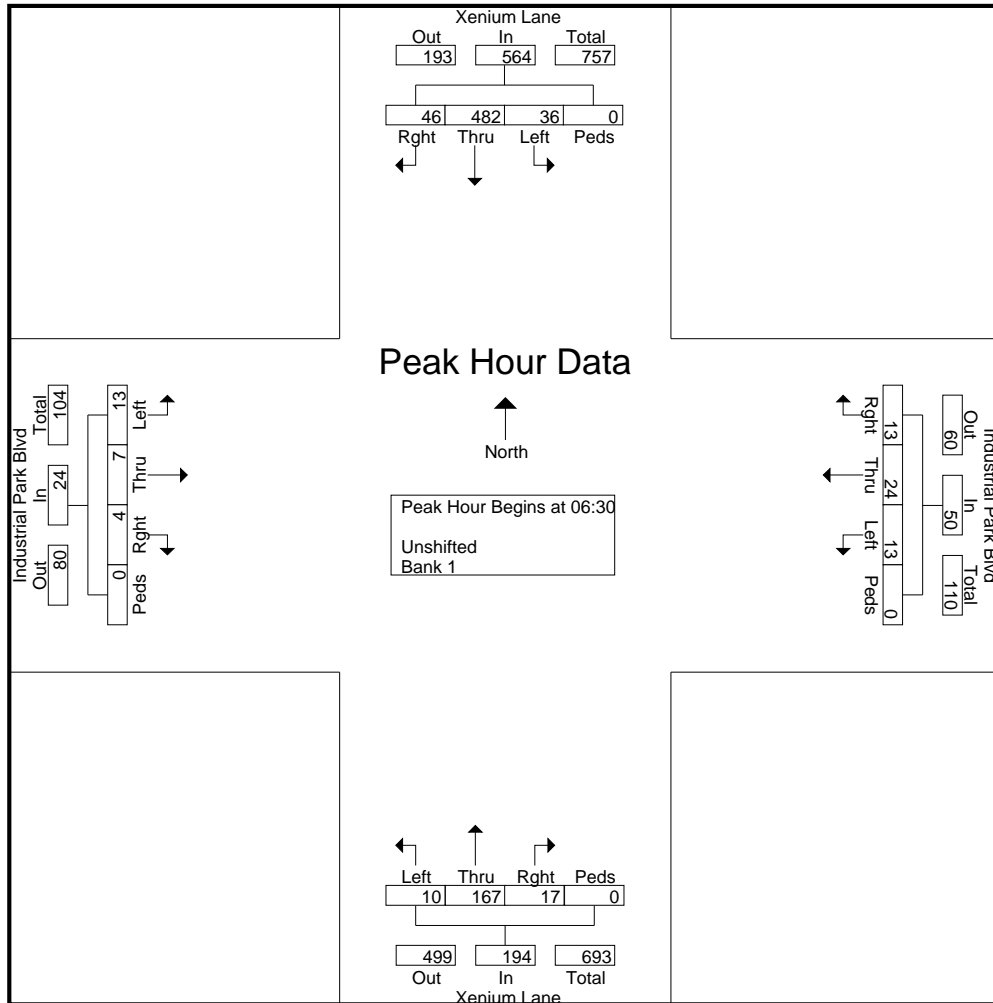
Start Time	Xenium Lane Southbound				Industrial Park Blvd Westbound				Xenium Lane Northbound				Industrial Park Blvd Eastbound				Int. Total
	Left	Thru	Rght	Peds	Left	Thru	Rght	Peds	Left	Thru	Rght	Peds	Left	Thru	Rght	Peds	
16:15	6	56	6	0	0	2	11	0	2	104	2	0	5	9	2	0	205
16:30	7	57	4	0	5	8	16	0	3	196	4	0	18	18	2	0	338
16:45	10	67	7	0	1	4	6	0	2	167	5	0	11	10	1	1	292
Total	32	229	20	0	11	15	48	0	10	589	18	0	44	42	6	1	1065
17:00	11	75	3	0	3	2	4	0	0	220	6	0	17	8	3	0	352
17:15	7	71	5	0	0	4	3	0	0	180	7	1	10	10	4	0	302
17:30	10	51	5	0	2	2	3	0	0	138	3	0	9	17	1	0	241
17:45	8	52	5	0	3	4	2	0	0	113	2	0	7	5	1	0	202
Total	36	249	18	0	8	12	12	0	0	651	18	1	43	40	9	0	1097
Grand Total	217	2373	244	0	106	221	167	0	88	2644	165	2	249	291	67	2	6836
Apprch %	7.7	83.7	8.6	0	21.5	44.7	33.8	0	3	91.2	5.7	0.1	40.9	47.8	11	0.3	
Total %	3.2	34.7	3.6	0	1.6	3.2	2.4	0	1.3	38.7	2.4	0	3.6	4.3	1	0	
Unshifted	202	2326	236	0	88	216	160	0	83	2590	145	2	240	283	60	2	6633
% Unshifted	93.1	98	96.7	0	83	97.7	95.8	0	94.3	98	87.9	100	96.4	97.3	89.6	100	97
Bank 1	15	47	8	0	18	5	7	0	5	54	20	0	9	8	7	0	203
% Bank 1	6.9	2	3.3	0	17	2.3	4.2	0	5.7	2	12.1	0	3.6	2.7	10.4	0	3

Alliant Engineering Inc Minneapolis, MN 55415

Xenium Lane at Industrial Park Blvd
 Ref.Pt.: SW of TH-55
 Alliant Engineering Inc
 TURN MOVEMENT COUNT

File Name : 52_Xenium Ln at Industrial Park Blvd_012511
 Site Code : 0000052
 Start Date : 1/25/2011
 Page No : 3

Start Time	Xenium Lane Southbound					Industrial Park Blvd Westbound					Xenium Lane Northbound					Industrial Park Blvd Eastbound					Int. Total
	Left	Thru	Rght	Peds	App. Total	Left	Thru	Rght	Peds	App. Total	Left	Thru	Rght	Peds	App. Total	Left	Thru	Rght	Peds	App. Total	
Peak Hour Analysis From 06:00 to 09:15 - Peak 1 of 1																					
Peak Hour for Entire Intersection Begins at 06:30																					
06:30	14	87	11	0	112	3	4	4	0	11	2	35	5	0	42	3	2	1	0	6	171
06:45	12	137	15	0	164	2	7	1	0	10	2	50	4	0	56	4	1	0	0	5	235
07:00	7	124	13	0	144	4	8	4	0	16	4	40	3	0	47	5	0	3	0	8	215
07:15	3	134	7	0	144	4	5	4	0	13	2	42	5	0	49	1	4	0	0	5	211
Total Volume	36	482	46	0	564	13	24	13	0	50	10	167	17	0	194	13	7	4	0	24	832
% App. Total	6.4	85.5	8.2	0		26	48	26	0		5.2	86.1	8.8	0		54.2	29.2	16.7	0		
PHF	.643	.880	.767	.000	.860	.813	.750	.813	.000	.781	.625	.835	.850	.000	.866	.650	.438	.333	.000	.750	.885



Alliant Engineering Inc Minneapolis, MN 55415

Xenium Lane at Industrial Park Blvd
 Ref.Pt.: SW of TH-55
 Alliant Engineering Inc
 TURN MOVEMENT COUNT

File Name : 52_Xenium Ln at Industrial Park Blvd_012511
 Site Code : 00000052
 Start Date : 1/25/2011
 Page No : 4

Start Time	Xenium Lane Southbound					Industrial Park Blvd Westbound					Xenium Lane Northbound					Industrial Park Blvd Eastbound					Int. Total
	Left	Thru	Rght	Peds	App. Total	Left	Thru	Rght	Peds	App. Total	Left	Thru	Rght	Peds	App. Total	Left	Thru	Rght	Peds	App. Total	
Peak Hour Analysis From 14:30 to 17:45 - Peak 1 of 1																					
Peak Hour for Entire Intersection Begins at 16:30																					
16:30	7	57	4	0	68	5	8	16	0	29	3	196	4	0	203	18	18	2	0	38	338
16:45	10	67	7	0	84	1	4	6	0	11	2	167	5	0	174	11	10	1	1	23	292
17:00	11	75	3	0	89	3	2	4	0	9	0	220	6	0	226	17	8	3	0	28	352
17:15	7	71	5	0	83	0	4	3	0	7	0	180	7	1	188	10	10	4	0	24	302
Total Volume	35	270	19	0	324	9	18	29	0	56	5	763	22	1	791	56	46	10	1	113	1284
% App. Total	10.8	83.3	5.9	0		16.1	32.1	51.8	0		0.6	96.5	2.8	0.1		49.6	40.7	8.8	0.9		
PHF	.795	.900	.679	.000	.910	.450	.563	.453	.000	.483	.417	.867	.786	.250	.875	.778	.639	.625	.250	.743	.912

