

# Alliant Engineering, Inc.

233 Park Ave Suite 300  
 Minneapolis, MN 55415

--TRAFFIC DATA--

Rockford Road and Medina Road  
 Ref.Pt.: 178.64  
 data by : Alliant Inc.  
 TURN MOVEMENT COUNT

File Name : 511\_Rockford Road & Medina Road  
 Site Code : 511  
 Start Date : 1/17/2018  
 Page No : 1

## Groups Printed- Class 1 - Class 2

Start Time	Rockford Rd From North					Medina Rd From East					Rockford Rd From South					Medina Rd From West					Int. Total
	Other	Rght	Thru	Left	App. Total	Other	Rght	Thru	Left	App. Total	Other	Rght	Thru	Left	App. Total	Other	Rght	Thru	Left	App. Total	
06:00 AM	0	0	15	0	15	0	1	1	0	2	0	1	15	1	17	0	0	2	10	12	46
06:15 AM	0	1	10	1	12	0	2	1	0	3	0	1	20	0	21	0	0	4	13	17	53
06:30 AM	0	3	26	1	30	0	3	1	0	4	0	0	35	1	36	0	1	6	16	23	93
06:45 AM	0	11	16	3	30	0	8	3	0	11	0	1	50	2	53	0	0	0	19	19	113
Total	0	15	67	5	87	0	14	6	0	20	0	3	120	4	127	0	1	12	58	71	305
07:00 AM	0	8	23	6	37	0	11	4	2	17	0	2	41	3	46	0	3	10	30	43	143
07:15 AM	0	17	20	7	44	0	16	7	0	23	1	4	76	6	87	1	3	12	31	47	201
07:30 AM	0	12	24	7	43	0	14	9	1	24	0	3	90	2	95	0	2	7	57	66	228
07:45 AM	0	27	32	15	74	0	33	16	2	51	0	4	86	3	93	0	0	15	46	61	279
Total	0	64	99	35	198	0	74	36	5	115	1	13	293	14	321	1	8	44	164	217	851
08:00 AM	0	7	40	8	55	0	19	20	3	42	0	3	81	2	86	0	4	16	30	50	233
08:15 AM	0	9	59	7	75	1	17	6	1	25	1	9	64	0	74	0	1	10	32	43	217
08:30 AM	0	4	33	9	46	0	12	7	0	19	0	6	76	0	82	0	2	3	23	28	175
08:45 AM	0	10	48	8	66	0	12	4	4	20	0	1	69	1	71	0	2	4	25	31	188
Total	0	30	180	32	242	1	60	37	8	106	1	19	290	3	313	0	9	33	110	152	813
09:00 AM	0	12	34	7	53	0	9	6	1	16	0	4	78	0	82	0	1	1	23	25	176
09:15 AM	0	9	39	10	58	0	4	2	3	9	0	1	45	1	47	0	3	0	24	27	141
*** BREAK ***																					
Total	0	21	73	17	111	0	13	8	4	25	0	5	123	1	129	0	4	1	47	52	317
*** BREAK ***																					
10:30 AM	0	13	32	8	53	0	5	1	0	6	0	2	31	0	33	0	0	4	34	38	130
10:45 AM	0	22	45	13	80	0	6	4	0	10	0	2	51	0	53	0	2	3	22	27	170
Total	0	35	77	21	133	0	11	5	0	16	0	4	82	0	86	0	2	7	56	65	300
11:00 AM	0	18	42	3	63	0	4	5	2	11	0	1	43	1	45	0	0	6	35	41	160
11:15 AM	0	16	30	10	56	0	16	6	2	24	0	1	48	2	51	0	2	3	30	35	166
11:30 AM	0	19	37	5	61	0	10	7	1	18	0	1	46	2	49	0	3	9	32	44	172
11:45 AM	0	21	50	9	80	0	13	3	0	16	0	1	73	0	74	0	0	6	38	44	214
Total	0	74	159	27	260	0	43	21	5	69	0	4	210	5	219	0	5	24	135	164	712
12:00 PM	0	15	39	8	62	0	10	3	2	15	0	3	42	2	47	0	1	3	41	45	169
12:15 PM	0	19	51	7	77	0	5	3	0	8	0	0	46	0	46	0	0	2	22	24	155
12:30 PM	0	26	37	8	71	1	6	8	1	16	0	3	30	1	34	0	1	5	25	31	152
12:45 PM	0	18	50	7	75	0	7	9	2	18	0	1	40	2	43	0	0	1	26	27	163
Total	0	78	177	30	285	1	28	23	5	57	0	7	158	5	170	0	2	11	114	127	639
01:00 PM	0	17	35	9	61	0	12	2	2	16	0	1	43	1	45	0	2	2	21	25	147
01:15 PM	0	16	57	9	82	0	9	5	0	14	0	3	50	1	54	0	2	6	16	24	174
*** BREAK ***																					
Total	0	33	92	18	143	0	21	7	2	30	0	4	93	2	99	0	4	8	37	49	321
*** BREAK ***																					
02:30 PM	0	17	58	13	88	0	13	8	3	24	0	3	53	1	57	0	1	9	45	55	224
02:45 PM	0	13	54	6	73	0	17	4	5	26	0	1	49	1	51	0	1	4	23	28	178
Total	0	30	112	19	161	0	30	12	8	50	0	4	102	2	108	0	2	13	68	83	402
03:00 PM	0	19	53	5	77	0	3	8	4	15	0	2	74	0	76	0	0	3	23	26	194
03:15 PM	0	25	46	17	88	0	8	6	1	15	0	3	54	2	59	0	4	8	31	43	205
03:30 PM	0	19	51	14	84	0	11	8	4	23	0	5	58	1	64	0	1	7	56	64	235
03:45 PM	0	18	75	15	108	0	8	8	0	16	0	2	61	0	63	0	1	10	31	42	229
Total	0	81	225	51	357	0	30	30	9	69	0	12	247	3	262	0	6	28	141	175	863
04:00 PM	0	25	57	11	93	0	11	9	1	21	0	3	47	0	50	0	0	10	38	48	212
04:15 PM	0	24	52	19	95	0	13	9	5	27	0	6	59	4	69	0	1	4	38	43	234
04:30 PM	0	28	70	20	118	0	10	11	5	26	0	5	71	0	76	0	4	5	52	61	281

# Alliant Engineering, Inc.

233 Park Ave Suite 300

Minneapolis, MN 55415

--TRAFFIC DATA--

Rockford Road and Medina Road

Ref.Pt.: 178.64

data by : Alliant Inc.

TURN MOVEMENT COUNT

File Name : 511\_Rockford Road & Medina Road

Site Code : 511\_\_\_\_\_

Start Date : 1/17/2018

Page No : 2

Groups Printed- Class 1 - Class 2

Start Time	Rockford Rd From North					Medina Rd From East					Rockford Rd From South					Medina Rd From West					Int. Total
	Other	Rght	Thru	Left	App. Total	Other	Rght	Thru	Left	App. Total	Other	Rght	Thru	Left	App. Total	Other	Rght	Thru	Left	App. Total	
04:45 PM	0	26	95	15	136	0	17	12	2	31	0	6	68	3	77	0	10	12	36	58	302
Total	0	103	274	65	442	0	51	41	13	105	0	20	245	7	272	0	15	31	164	210	1029
05:00 PM	0	39	81	18	138	0	17	20	5	42	0	11	56	0	67	0	8	7	59	74	321
05:15 PM	0	31	91	22	144	0	20	14	5	39	0	7	63	4	74	0	0	9	42	51	308
05:30 PM	0	33	83	19	135	0	16	16	10	42	0	2	62	1	65	0	1	12	36	49	291
05:45 PM	0	34	102	28	164	0	16	12	1	29	0	2	56	3	61	0	1	5	34	40	294
Total	0	137	357	87	581	0	69	62	21	152	0	22	237	8	267	0	10	33	171	214	1214
Grand Total	0	701	1892	407	3000	2	444	288	80	814	2	117	2200	54	2373	1	68	245	1265	1579	7766
Apprch %	0	23.4	63.1	13.6		0.2	54.5	35.4	9.8		0.1	4.9	92.7	2.3		0.1	4.3	15.5	80.1		
Total %	0	9	24.4	5.2	38.6	0	5.7	3.7	1	10.5	0	1.5	28.3	0.7	30.6	0	0.9	3.2	16.3	20.3	
Class 1	0	670	1880	402	2952	2	434	280	74	790	2	106	2173	44	2325	1	56	236	1191	1484	7551
% Class 1	0	95.6	99.4	98.8	98.4	100	97.7	97.2	92.5	97.1	100	90.6	98.8	81.5	98	100	82.4	96.3	94.2	94	97.2
Class 2	0	31	12	5	48	0	10	8	6	24	0	11	27	10	48	0	12	9	74	95	215
% Class 2	0	4.4	0.6	1.2	1.6	0	2.3	2.8	7.5	2.9	0	9.4	1.2	18.5	2	0	17.6	3.7	5.8	6	2.8

# Alliant Engineering, Inc.

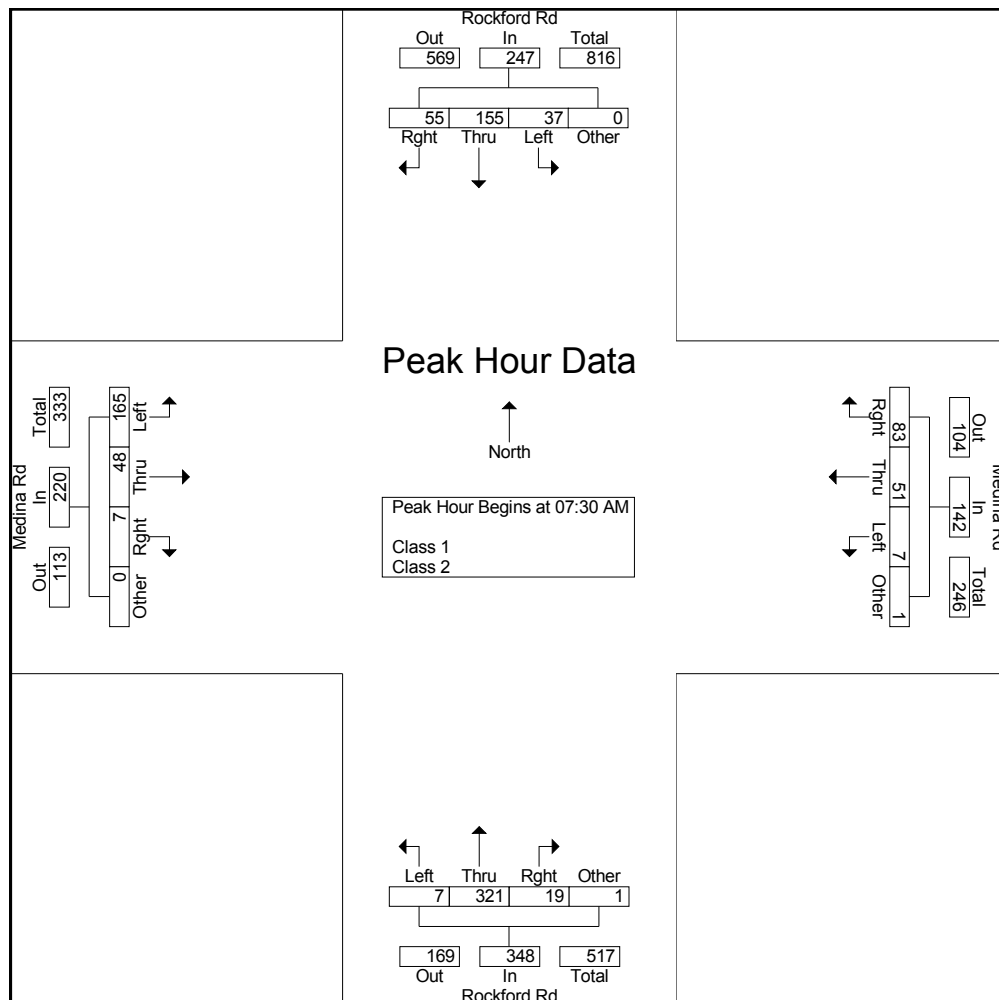
233 Park Ave Suite 300  
 Minneapolis, MN 55415

--TRAFFIC DATA--

Rockford Road and Medina Road  
 Ref.Pt.: 178.64  
 data by : Alliant Inc.  
 TURN MOVEMENT COUNT

File Name : 511\_Rockford Road & Medina Road  
 Site Code : 511\_\_\_\_\_  
 Start Date : 1/17/2018  
 Page No : 3

Start Time	Rockford Rd From North					Medina Rd From East					Rockford Rd From South					Medina Rd From West					Int. Total
	Other	Right	Thru	Left	App. Total	Other	Right	Thru	Left	App. Total	Other	Right	Thru	Left	App. Total	Other	Right	Thru	Left	App. Total	
Peak Hour Analysis From 06:00 AM to 11:45 AM - Peak 1 of 1																					
Peak Hour for Entire Intersection Begins at 07:30 AM																					
07:30 AM	0	12	24	7	43	0	14	9	1	24	0	3	90	2	95	0	2	7	57	66	228
07:45 AM	0	27	32	15	74	0	33	16	2	51	0	4	86	3	93	0	0	15	46	61	279
08:00 AM	0	7	40	8	55	0	19	20	3	42	0	3	81	2	86	0	4	16	30	50	233
08:15 AM	0	9	59	7	75	1	17	6	1	25	1	9	64	0	74	0	1	10	32	43	217
Total Volume	0	55	155	37	247	1	83	51	7	142	1	19	321	7	348	0	7	48	165	220	957
% App. Total	0	22.3	62.8	15		0.7	58.5	35.9	4.9		0.3	5.5	92.2	2		0	3.2	21.8	75		
PHF	.000	.509	.657	.617	.823	.250	.629	.638	.583	.696	.250	.528	.892	.583	.916	.000	.438	.750	.724	.833	.858



# Alliant Engineering, Inc.

233 Park Ave Suite 300  
 Minneapolis, MN 55415

--TRAFFIC DATA--

Rockford Road and Medina Road  
 Ref.Pt.: 178.64  
 data by : Alliant Inc.  
 TURN MOVEMENT COUNT

File Name : 511\_Rockford Road & Medina Road  
 Site Code : 511\_\_\_\_\_  
 Start Date : 1/17/2018  
 Page No : 4

Start Time	Rockford Rd From North					Medina Rd From East					Rockford Rd From South					Medina Rd From West					Int. Total
	Other	Rgh t	Thru	Left	App. Total	Other	Rgh t	Thru	Left	App. Total	Other	Rgh t	Thru	Left	App. Total	Other	Rgh t	Thru	Left	App. Total	
Peak Hour Analysis From 12:00 PM to 05:45 PM - Peak 1 of 1																					
Peak Hour for Entire Intersection Begins at 04:45 PM																					
04:45 PM	0	26	95	15	136	0	17	12	2	31	0	6	68	3	77	0	10	12	36	58	302
05:00 PM	0	39	81	18	138	0	17	20	5	42	0	11	56	0	67	0	8	7	59	74	321
05:15 PM	0	31	91	22	144	0	20	14	5	39	0	7	63	4	74	0	0	9	42	51	308
05:30 PM	0	33	83	19	135	0	16	16	10	42	0	2	62	1	65	0	1	12	36	49	291
Total Volume	0	129	350	74	553	0	70	62	22	154	0	26	249	8	283	0	19	40	173	232	1222
% App. Total	0	23.3	63.3	13.4		0	45.5	40.3	14.3		0	9.2	88	2.8		0	8.2	17.2	74.6		
PHF	.000	.827	.921	.841	.960	.000	.875	.775	.550	.917	.000	.591	.915	.500	.919	.000	.475	.833	.733	.784	.952

