



MINNESOTA DEPT OF TRANSPORTATION

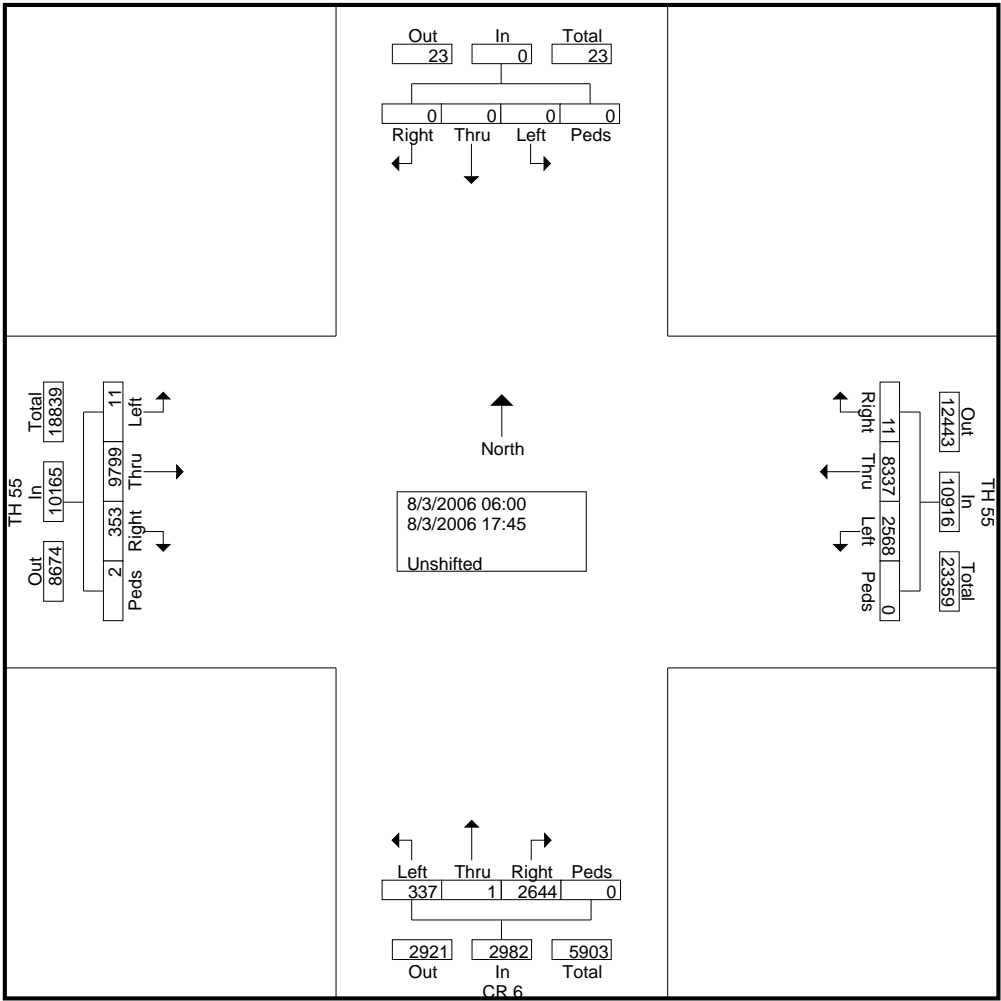
TRAFFIC DATA COLLECTION - METRO

Counted By: Robert & Dorothy
 Day of the Week: Thursday
 Location: TH 55 & CR 6
 Project #: 5764

File Name : TH 55 @ CR 6 2006
 Site Code : 08031512
 Start Date : 8/3/2006
 Page No : 1

Groups Printed- Unshifted

Start Time	Southbound					TH 55 Westbound					CR 6 Northbound					TH 55 Eastbound					Int. Total
	Left	Thru	Right	Peds	App. Total	Left	Thru	Right	Peds	App. Total	Left	Thru	Right	Peds	App. Total	Left	Thru	Right	Peds	App. Total	
06:00	0	0	0	0	0	31	88	0	0	119	1	0	20	0	21	0	192	2	0	194	334
06:15	0	0	0	0	0	33	114	0	0	147	3	0	27	0	30	0	246	6	0	252	429
06:30	0	0	0	0	0	50	164	0	0	214	1	0	41	0	42	0	326	14	0	340	596
06:45	0	0	0	0	0	86	200	0	0	286	3	0	66	0	69	0	409	15	0	424	779
Total	0	0	0	0	0	200	566	0	0	766	8	0	154	0	162	0	1173	37	0	1210	2138
07:00	0	0	0	0	0	86	144	1	0	231	0	0	62	0	62	0	442	16	0	458	751
07:15	0	0	0	0	0	113	259	0	0	372	1	0	86	0	87	0	495	20	0	515	974
07:30	0	0	0	0	0	86	196	0	0	282	5	0	91	0	96	0	578	20	0	598	976
07:45	0	0	0	0	0	145	255	0	0	400	3	0	97	0	100	0	532	24	0	556	1056
Total	0	0	0	0	0	430	854	1	0	1285	9	0	336	0	345	0	2047	80	0	2127	3757
08:00	0	0	0	0	0	131	203	0	0	334	7	0	95	0	102	1	452	23	0	476	912
08:15	0	0	0	0	0	93	169	0	0	262	3	0	83	0	86	0	411	14	0	425	773
08:30	0	0	0	0	0	83	132	2	0	217	2	0	71	0	73	0	331	20	0	351	641
08:45	0	0	0	0	0	100	235	0	0	335	9	0	50	0	59	0	288	16	0	304	698
Total	0	0	0	0	0	407	739	2	0	1148	21	0	299	0	320	1	1482	73	0	1556	3024
11:00	0	0	0	0	0	46	215	0	0	261	6	0	63	0	69	0	217	4	0	221	551
11:15	0	0	0	0	0	61	221	0	0	282	14	0	60	0	74	1	224	6	0	231	587
11:30	0	0	0	0	0	56	190	1	0	247	22	0	73	0	95	0	242	9	0	251	593
11:45	0	0	0	0	0	51	236	1	0	288	13	0	68	0	81	1	250	14	0	265	634
Total	0	0	0	0	0	214	862	2	0	1078	55	0	264	0	319	2	933	33	0	968	2365
12:00	0	0	0	0	0	83	249	0	0	332	15	0	90	0	105	0	240	12	0	252	689
12:15	0	0	0	0	0	79	250	6	0	335	21	0	68	0	89	0	222	13	0	235	659
12:30	0	0	0	0	0	93	209	0	0	302	12	0	55	0	67	1	223	14	0	238	607
12:45	0	0	0	0	0	78	274	0	0	352	12	0	54	0	66	0	238	25	0	263	681
Total	0	0	0	0	0	333	982	6	0	1321	60	0	267	0	327	1	923	64	0	988	2636
15:00	0	0	0	0	0	49	276	0	0	325	12	0	89	0	101	2	226	2	0	230	656
15:15	0	0	0	0	0	74	269	0	0	343	9	1	77	0	87	0	203	10	0	213	643
15:30	0	0	0	0	0	63	353	0	0	416	12	0	99	0	111	0	294	4	1	299	826
15:45	0	0	0	0	0	77	334	0	0	411	11	0	82	0	93	1	248	11	1	261	765
Total	0	0	0	0	0	263	1232	0	0	1495	44	1	347	0	392	3	971	27	2	1003	2890
16:00	0	0	0	0	0	69	361	0	0	430	12	0	126	0	138	4	288	7	0	299	867
16:15	0	0	0	0	0	93	399	0	0	492	21	0	85	0	106	0	262	5	0	267	865
16:30	0	0	0	0	0	94	379	0	0	473	28	0	140	0	168	0	324	2	0	326	967
16:45	0	0	0	0	0	106	417	0	0	523	18	0	148	0	166	0	303	6	0	309	998
Total	0	0	0	0	0	362	1556	0	0	1918	79	0	499	0	578	4	1177	20	0	1201	3697
17:00	0	0	0	0	0	109	390	0	0	499	18	0	160	0	178	0	329	5	0	334	1011
17:15	0	0	0	0	0	86	412	0	0	498	12	0	110	0	122	0	286	9	0	295	915
17:30	0	0	0	0	0	92	379	0	0	471	18	0	124	0	142	0	251	1	0	252	865
17:45	0	0	0	0	0	72	365	0	0	437	13	0	84	0	97	0	227	4	0	231	765
Total	0	0	0	0	0	359	1546	0	0	1905	61	0	478	0	539	0	1093	19	0	1112	3556
Grand Total	0	0	0	0	0	2568	8337	11	0	10916	337	1	2644	0	2982	11	9799	353	2	10165	24063
Apprch %	0	0	0	0	0	23.5	76.4	0.1	0	0	11.3	0	88.7	0	0	0.1	96.4	3.5	0	0	0
Total %	0	0	0	0	0	10.7	34.6	0	0	45.4	1.4	0	11	0	12.4	0	40.7	1.5	0	42.2	0



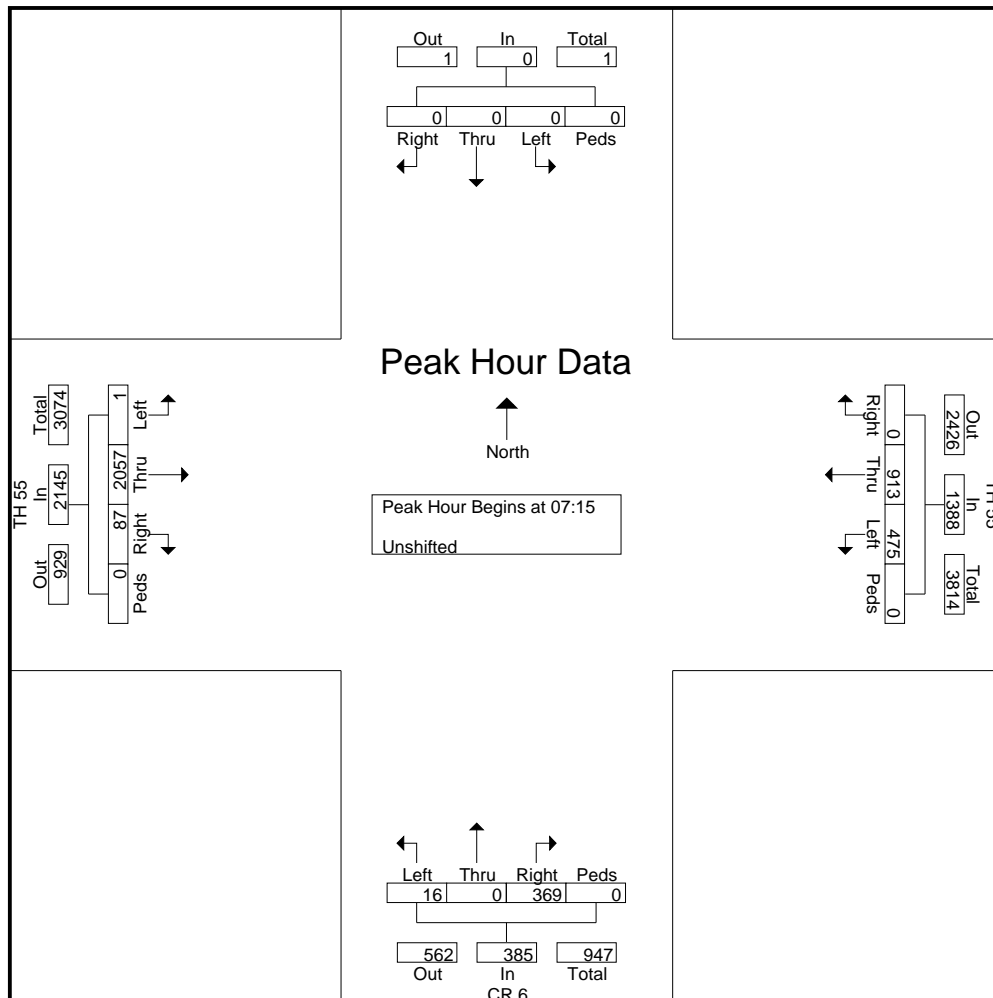


MINNESOTA DEPT OF TRANSPORTATION

TRAFFIC DATA COLLECTION - METRO

File Name : TH 55 @ CR 6 2006
 Site Code : 08031512
 Start Date : 8/3/2006
 Page No : 3

Start Time	Southbound					TH 55 Westbound					CR 6 Northbound					TH 55 Eastbound					Int. Total
	Left	Thru	Right	Peds	App. Total	Left	Thru	Right	Peds	App. Total	Left	Thru	Right	Peds	App. Total	Left	Thru	Right	Peds	App. Total	
Peak Hour Analysis From 06:00 to 09:45 - Peak 1 of 1																					
Peak Hour for Entire Intersection Begins at 07:15																					
07:15	0	0	0	0	0	113	259	0	0	372	1	0	86	0	87	0	495	20	0	515	974
07:30	0	0	0	0	0	86	196	0	0	282	5	0	91	0	96	0	578	20	0	598	976
07:45	0	0	0	0	0	145	255	0	0	400	3	0	97	0	100	0	532	24	0	556	1056
08:00	0	0	0	0	0	131	203	0	0	334	7	0	95	0	102	1	452	23	0	476	912
Total Volume	0	0	0	0	0	475	913	0	0	1388	16	0	369	0	385	1	2057	87	0	2145	3918
% App. Total	0	0	0	0	0	34.2	65.8	0	0		4.2	0	95.8	0		0	95.9	4.1	0		
PHF	.000	.000	.000	.000	.000	.819	.881	.000	.000	.868	.571	.000	.951	.000	.944	.250	.890	.906	.000	.897	.928





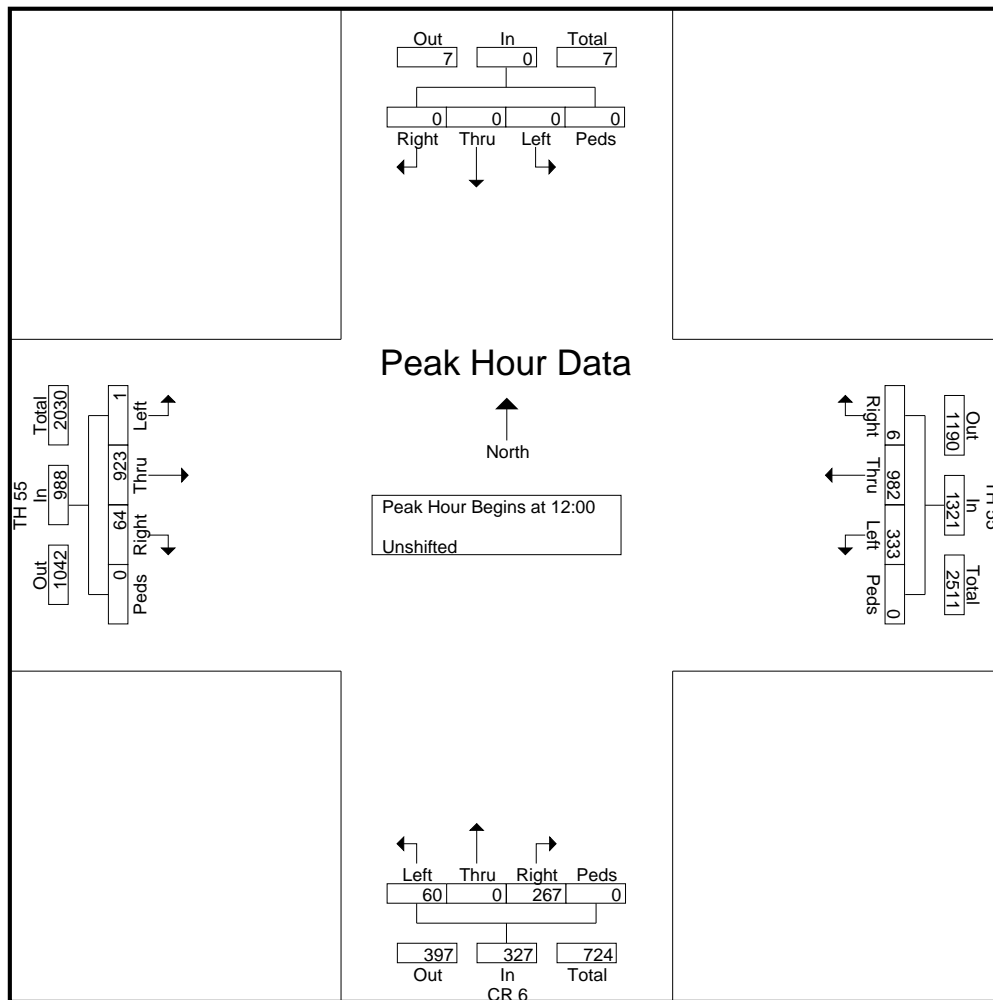
MINNESOTA DEPT OF TRANSPORTATION

TRAFFIC DATA COLLECTION - METRO

File Name : TH 55 @ CR 6 2006
 Site Code : 08031512
 Start Date : 8/3/2006
 Page No : 4

Start Time	Southbound					TH 55 Westbound					CR 6 Northbound					TH 55 Eastbound					Int. Total
	Left	Thru	Right	Peds	App. Total	Left	Thru	Right	Peds	App. Total	Left	Thru	Right	Peds	App. Total	Left	Thru	Right	Peds	App. Total	
12:00	0	0	0	0	0	83	249	0	0	332	15	0	90	0	105	0	240	12	0	252	689
12:15	0	0	0	0	0	79	250	6	0	335	21	0	68	0	89	0	222	13	0	235	659
12:30	0	0	0	0	0	93	209	0	0	302	12	0	55	0	67	1	223	14	0	238	607
12:45	0	0	0	0	0	78	274	0	0	352	12	0	54	0	66	0	238	25	0	263	681
Total Volume	0	0	0	0	0	333	982	6	0	1321	60	0	267	0	327	1	923	64	0	988	2636
% App. Total	0	0	0	0	0	25.2	74.3	0.5	0		18.3	0	81.7	0		0.1	93.4	6.5	0		
PHF	.000	.000	.000	.000	.000	.895	.896	.250	.000	.938	.714	.000	.742	.000	.779	.250	.961	.640	.000	.939	.956

Peak Hour Analysis From 10:00 to 13:45 - Peak 1 of 1
 Peak Hour for Entire Intersection Begins at 12:00





MINNESOTA DEPT OF TRANSPORTATION

TRAFFIC DATA COLLECTION - METRO

File Name : TH 55 @ CR 6 2006
 Site Code : 08031512
 Start Date : 8/3/2006
 Page No : 5

Start Time	Southbound					TH 55 Westbound					CR 6 Northbound					TH 55 Eastbound					Int. Total
	Left	Thru	Right	Peds	App. Total	Left	Thru	Right	Peds	App. Total	Left	Thru	Right	Peds	App. Total	Left	Thru	Right	Peds	App. Total	
16:30	0	0	0	0	0	94	379	0	0	473	28	0	140	0	168	0	324	2	0	326	967
16:45	0	0	0	0	0	106	417	0	0	523	18	0	148	0	166	0	303	6	0	309	998
17:00	0	0	0	0	0	109	390	0	0	499	18	0	160	0	178	0	329	5	0	334	1011
17:15	0	0	0	0	0	86	412	0	0	498	12	0	110	0	122	0	286	9	0	295	915
Total Volume	0	0	0	0	0	395	1598	0	0	1993	76	0	558	0	634	0	1242	22	0	1264	3891
% App. Total	0	0	0	0	0	19.8	80.2	0	0		12	0	88	0		0	98.3	1.7	0		
PHF	.000	.000	.000	.000	.000	.906	.958	.000	.000	.953	.679	.000	.872	.000	.890	.000	.944	.611	.000	.946	.962

Peak Hour Analysis From 14:00 to 17:45 - Peak 1 of 1
 Peak Hour for Entire Intersection Begins at 16:30

