

Associated Consulting Services (ACS)  
 Roseville, MN 55113  
 -- TRAFFIC DATA --

MN-51 at Fairmount Ave\_2021  
 Data Prepared By: ACS  
 TURNING MOVEMENT COUNT

File Name : MN-51 at Fairmount Ave\_2021  
 Site Code :  
 Start Date : 10/19/2021  
 Page No : 1

Groups Printed- Cars - Trucks

Start Time	MN-51 Southbound				Fairmount Ave Westbound				MN-51 Northbound				Eastbound				Int. Total
	Left	Thru	Right	Peds	Left	Thru	Right	Peds	Left	Thru	Right	Peds	Left	Thru	Right	Peds	
06:00	0	34	0	0	0	0	0	1	0	48	0	0	0	0	0	0	83
06:15	0	45	0	0	0	0	0	1	0	58	0	0	0	0	0	0	104
06:30	0	63	0	0	0	0	0	1	0	76	0	1	0	0	0	0	141
06:45	0	74	0	0	0	0	2	2	0	80	0	1	0	0	0	0	159
Total	0	216	0	0	0	0	2	5	0	262	0	2	0	0	0	0	487
07:00	0	98	0	0	0	0	1	2	0	95	1	0	0	0	0	0	197
07:15	0	110	0	0	0	0	1	0	0	104	0	1	0	0	0	0	216
07:30	0	150	0	0	0	0	1	2	0	128	0	1	0	0	0	0	282
07:45	0	172	0	0	0	0	4	4	0	148	0	0	0	0	0	0	328
Total	0	530	0	0	0	0	7	8	0	475	1	2	0	0	0	0	1023
08:00	0	146	0	0	0	0	1	3	0	175	2	0	0	0	0	0	327
08:15	0	192	0	0	0	0	1	1	0	170	1	4	0	0	0	0	369
08:30	0	147	0	0	0	0	1	3	0	128	0	0	0	0	0	0	279
08:45	0	143	0	0	0	0	0	2	0	126	0	0	0	0	0	0	271
Total	0	628	0	0	0	0	3	9	0	599	3	4	0	0	0	0	1246
09:00	0	118	0	0	0	0	3	4	0	109	0	0	0	0	0	0	234
09:15	0	121	0	0	0	0	0	1	0	141	1	0	0	0	0	0	264
09:30	0	108	0	0	0	0	1	3	0	122	0	4	0	0	0	0	238
09:45	0	132	0	0	0	0	0	4	0	99	3	2	0	0	0	0	240
Total	0	479	0	0	0	0	4	12	0	471	4	6	0	0	0	0	976
10:00	0	123	0	0	0	0	2	2	0	111	0	2	0	0	0	0	240
10:15	0	122	0	0	0	0	1	2	0	112	0	1	0	0	0	0	238
10:30	0	93	0	0	0	0	2	3	0	154	0	1	0	0	0	0	253
10:45	0	128	0	0	0	0	3	4	0	126	0	2	0	0	0	0	263
Total	0	466	0	0	0	0	8	11	0	503	0	6	0	0	0	0	994
11:00	0	125	0	0	0	0	0	1	0	110	0	1	0	0	0	0	237
11:15	0	158	0	0	0	0	2	0	0	119	3	1	0	0	0	0	283
11:30	0	131	0	0	0	0	3	2	0	159	3	1	0	0	0	0	299
11:45	0	153	0	0	0	0	4	2	0	138	1	0	0	0	0	0	298
Total	0	567	0	0	0	0	9	5	0	526	7	3	0	0	0	0	1117
12:00	0	121	0	0	0	0	1	2	0	129	0	1	0	0	0	0	254
12:15	0	141	0	0	0	0	0	5	0	124	0	2	0	0	0	0	272
12:30	0	152	0	0	0	0	4	6	0	119	1	0	0	0	0	0	282
12:45	0	152	0	0	0	0	1	8	0	121	1	1	0	0	0	0	284
Total	0	566	0	0	0	0	6	21	0	493	2	4	0	0	0	0	1092
13:00	0	120	0	0	0	0	0	4	0	121	2	2	0	0	0	0	249
13:15	0	151	0	0	0	0	1	2	0	119	1	3	0	0	0	0	277
13:30	0	140	0	0	0	0	0	2	0	108	0	0	0	0	0	0	250
13:45	0	151	0	0	0	0	1	3	0	138	0	0	0	0	0	0	293
Total	0	562	0	0	0	0	2	11	0	486	3	5	0	0	0	0	1069
14:00	0	116	0	0	0	0	0	4	0	132	1	1	0	0	0	0	254
14:15	0	185	0	0	0	0	0	2	0	120	0	0	0	0	0	0	307
14:30	0	152	0	0	0	0	4	6	0	133	1	4	0	0	0	0	300
14:45	0	201	0	0	0	0	2	3	0	143	0	2	0	0	0	0	351
Total	0	654	0	0	0	0	6	15	0	528	2	7	0	0	0	0	1212

Associated Consulting Services (ACS)  
 Roseville, MN 55113  
 -- TRAFFIC DATA --

MN-51 at Fairmount Ave\_2021  
 Data Prepared By: ACS  
 TURNING MOVEMENT COUNT

File Name : MN-51 at Fairmount Ave\_2021  
 Site Code :  
 Start Date : 10/19/2021  
 Page No : 2

Groups Printed- Cars - Trucks

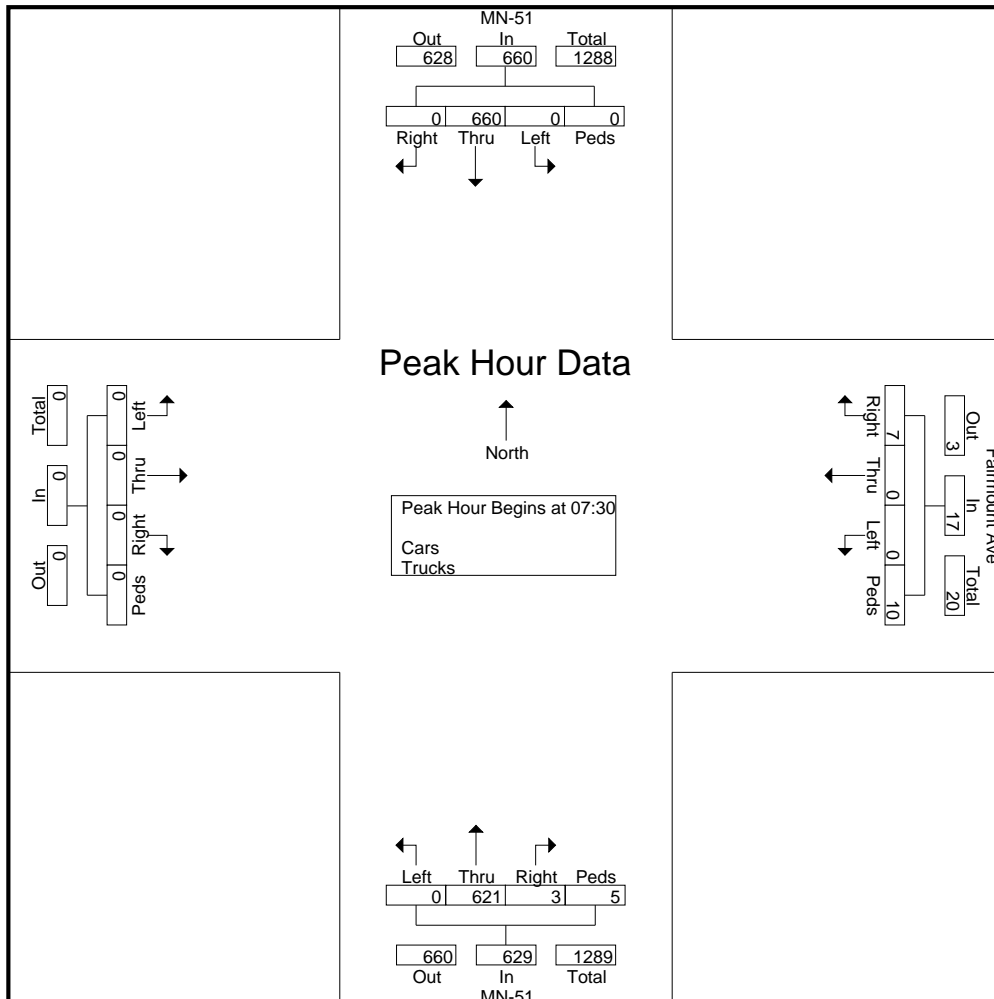
Start Time	MN-51 Southbound				Fairmount Ave Westbound				MN-51 Northbound				Eastbound				Int. Total
	Left	Thru	Right	Peds	Left	Thru	Right	Peds	Left	Thru	Right	Peds	Left	Thru	Right	Peds	
15:00	0	224	0	0	0	0	1	2	0	163	0	1	0	0	0	0	391
15:15	0	183	0	0	0	0	2	1	0	159	5	5	0	0	0	0	355
15:30	0	211	0	0	0	0	2	2	0	146	1	2	0	0	0	0	364
15:45	0	191	0	0	0	0	1	8	0	180	1	1	0	0	0	0	382
Total	0	809	0	0	0	0	6	13	0	648	7	9	0	0	0	0	1492
16:00	0	168	0	0	0	0	1	5	0	171	0	5	0	0	0	0	350
16:15	0	197	0	0	0	0	2	5	0	128	1	0	0	0	0	0	333
16:30	0	196	0	0	0	0	0	3	0	153	1	1	0	0	0	0	354
16:45	0	194	0	0	0	0	4	2	0	159	0	1	0	0	0	0	360
Total	0	755	0	0	0	0	7	15	0	611	2	7	0	0	0	0	1397
17:00	0	162	0	0	0	0	1	3	0	155	0	0	0	0	0	0	321
17:15	0	197	0	0	0	0	4	3	0	157	3	0	0	0	0	0	364
17:30	0	200	0	0	0	0	1	5	0	152	1	1	0	0	0	0	360
17:45	0	173	0	0	0	0	1	7	0	163	4	3	0	0	0	0	351
Total	0	732	0	0	0	0	7	18	0	627	8	4	0	0	0	0	1396
Grand Total	0	6964	0	0	0	0	67	143	0	6229	39	59	0	0	0	0	13501
Apprch %	0	100	0	0	0	0	31.9	68.1	0	98.5	0.6	0.9	0	0	0	0	
Total %	0	51.6	0	0	0	0	0.5	1.1	0	46.1	0.3	0.4	0	0	0	0	
Cars	0	6426	0	0	0	0	64	143	0	5780	37	59	0	0	0	0	12509
% Cars	0	92.3	0	0	0	0	95.5	100	0	92.8	94.9	100	0	0	0	0	92.7
Trucks	0	538	0	0	0	0	3	0	0	449	2	0	0	0	0	0	992
% Trucks	0	7.7	0	0	0	0	4.5	0	0	7.2	5.1	0	0	0	0	0	7.3

Associated Consulting Services (ACS)  
 Roseville, MN 55113  
 -- TRAFFIC DATA --

MN-51 at Fairmount Ave\_2021  
 Data Prepared By: ACS  
 TURNING MOVEMENT COUNT

File Name : MN-51 at Fairmount Ave\_2021  
 Site Code :  
 Start Date : 10/19/2021  
 Page No : 3

Start Time	MN-51 Southbound					Fairmount Ave Westbound					MN-51 Northbound					Eastbound					Int. Total
	Left	Thru	Right	Peds	App. Total	Left	Thru	Right	Peds	App. Total	Left	Thru	Right	Peds	App. Total	Left	Thru	Right	Peds	App. Total	
Peak Hour Analysis From 06:00 to 11:45 - Peak 1 of 1																					
Peak Hour for Entire Intersection Begins at 07:30																					
07:30	0	150	0	0	150	0	0	1	2	3	0	128	0	1	129	0	0	0	0	0	282
07:45	0	172	0	0	172	0	0	4	4	8	0	148	0	0	148	0	0	0	0	0	328
08:00	0	146	0	0	146	0	0	1	3	4	0	175	2	0	177	0	0	0	0	0	327
08:15	0	192	0	0	192	0	0	1	1	2	0	170	1	4	175	0	0	0	0	0	369
Total Volume	0	660	0	0	660	0	0	7	10	17	0	621	3	5	629	0	0	0	0	0	1306
% App. Total	0	100	0	0		0	0	41.2	58.8		0	98.7	0.5	0.8		0	0	0	0		
PHF	.000	.859	.000	.000	.859	.000	.000	.438	.625	.531	.000	.887	.375	.313	.888	.000	.000	.000	.000	.000	.885



Associated Consulting Services (ACS)  
 Roseville, MN 55113  
 -- TRAFFIC DATA --

MN-51 at Fairmount Ave\_2021  
 Data Prepared By: ACS  
 TURNING MOVEMENT COUNT

File Name : MN-51 at Fairmount Ave\_2021  
 Site Code :  
 Start Date : 10/19/2021  
 Page No : 4

Start Time	MN-51 Southbound					Fairmount Ave Westbound					MN-51 Northbound					Eastbound					Int. Total
	Left	Thru	Right	Peds	App. Total	Left	Thru	Right	Peds	App. Total	Left	Thru	Right	Peds	App. Total	Left	Thru	Right	Peds	App. Total	
Peak Hour Analysis From 12:00 to 17:45 - Peak 1 of 1																					
Peak Hour for Entire Intersection Begins at 15:00																					
15:00	0	224	0	0	224	0	0	1	2	3	0	163	0	1	164	0	0	0	0	0	391
15:15	0	183	0	0	183	0	0	2	1	3	0	159	5	5	169	0	0	0	0	0	355
15:30	0	211	0	0	211	0	0	2	2	4	0	146	1	2	149	0	0	0	0	0	364
15:45	0	191	0	0	191	0	0	1	8	9	0	180	1	1	182	0	0	0	0	0	382
Total Volume	0	809	0	0	809	0	0	6	13	19	0	648	7	9	664	0	0	0	0	0	1492
% App. Total	0	100	0	0		0	0	31.6	68.4		0	97.6	1.1	1.4		0	0	0	0		
PHF	.000	.903	.000	.000	.903	.000	.000	.750	.406	.528	.000	.900	.350	.450	.912	.000	.000	.000	.000	.000	.954

