



# MINNESOTA DEPT OF TRANSPORTATION

## TRAFFIC DATA COLLECTION - METRO

TH-5 at CSAH-15/& 14 / 40th St N  
 Ref:Pt: 199.229  
 Video RE  
 TURN MOVEMENT COUNT

File Name : TH-5 at CSAH-15 14 2013  
 Site Code :  
 Start Date : 2/26/2013  
 Page No : 1

Groups Printed- Cars +

Start Time	TH-5 Southbound				CSAH-15 / 14 / 40th St N Westbound				TH-5 Northbound				na Eastbound				Int. Total
	Left	Thru	Right	Peds	Left	Thru	Right	Peds	Left	Thru	Right	Peds	Left	Thru	Right	Peds	
06:00	24	35	0	0	9	0	15	0	0	16	8	0	0	0	0	0	107
06:15	35	44	0	0	21	0	29	0	0	23	7	0	0	0	0	0	159
06:30	29	64	0	0	28	0	28	0	0	51	9	0	0	0	0	0	209
06:45	37	71	0	0	33	0	61	0	0	52	11	0	0	0	0	0	265
Total	125	214	0	0	91	0	133	0	0	142	35	0	0	0	0	0	740
07:00	51	83	0	0	40	0	86	0	0	36	10	0	0	0	0	0	306
07:15	56	87	0	0	52	0	193	0	0	103	20	0	0	0	0	0	511
07:30	85	98	0	0	41	0	160	0	0	109	25	0	0	0	0	0	518
07:45	60	111	0	0	66	0	100	0	0	77	25	0	0	0	0	0	439
Total	252	379	0	0	199	0	539	0	0	325	80	0	0	0	0	0	1774
08:00	42	86	0	0	45	0	52	0	0	47	19	0	0	0	0	0	291
08:15	53	82	0	0	33	0	77	0	0	56	21	0	0	0	0	0	322
08:30	61	74	0	0	41	0	60	0	0	68	37	0	0	0	0	0	341
08:45	61	65	0	0	29	0	52	0	0	73	19	0	0	0	0	0	299
Total	217	307	0	0	148	0	241	0	0	244	96	0	0	0	0	0	1253
*****BREAK*****																	
15:30	94	79	0	0	25	0	73	0	0	93	39	0	0	0	0	0	403
15:45	72	98	0	0	24	0	85	0	0	84	41	0	0	0	0	0	404
Total	166	177	0	0	49	0	158	0	0	177	80	0	0	0	0	0	807
16:00	88	95	0	0	27	0	103	0	0	100	41	0	0	0	0	0	454
16:15	82	79	0	0	39	0	99	0	0	114	39	0	0	0	0	0	452
16:30	83	75	0	0	26	0	77	0	0	120	39	0	0	0	0	0	420
16:45	83	71	0	0	30	0	105	0	0	139	27	0	0	0	0	0	455
Total	336	320	0	0	122	0	384	0	0	473	146	0	0	0	0	0	1781
17:00	88	93	0	0	21	0	110	0	0	148	45	0	0	0	0	0	505
17:15	103	87	0	0	25	0	88	0	0	130	41	0	0	0	0	0	474
17:30	83	78	0	0	29	0	99	0	0	131	24	0	0	0	0	0	444
17:45	87	60	0	0	18	0	124	0	0	101	30	0	0	0	0	0	420
Total	361	318	0	0	93	0	421	0	0	510	140	0	0	0	0	0	1843
18:00	68	71	0	0	13	0	81	0	0	78	29	0	0	0	0	0	340
18:15	67	48	0	0	22	0	82	0	0	67	29	0	0	0	0	0	315
Grand Total	1592	1834	0	0	737	0	2039	0	0	2016	635	0	0	0	0	0	8853
Apprch %	46.5	53.5	0	0	26.5	0	73.5	0	0	76	24	0	0	0	0	0	
Total %	18	20.7	0	0	8.3	0	23	0	0	22.8	7.2	0	0	0	0	0	



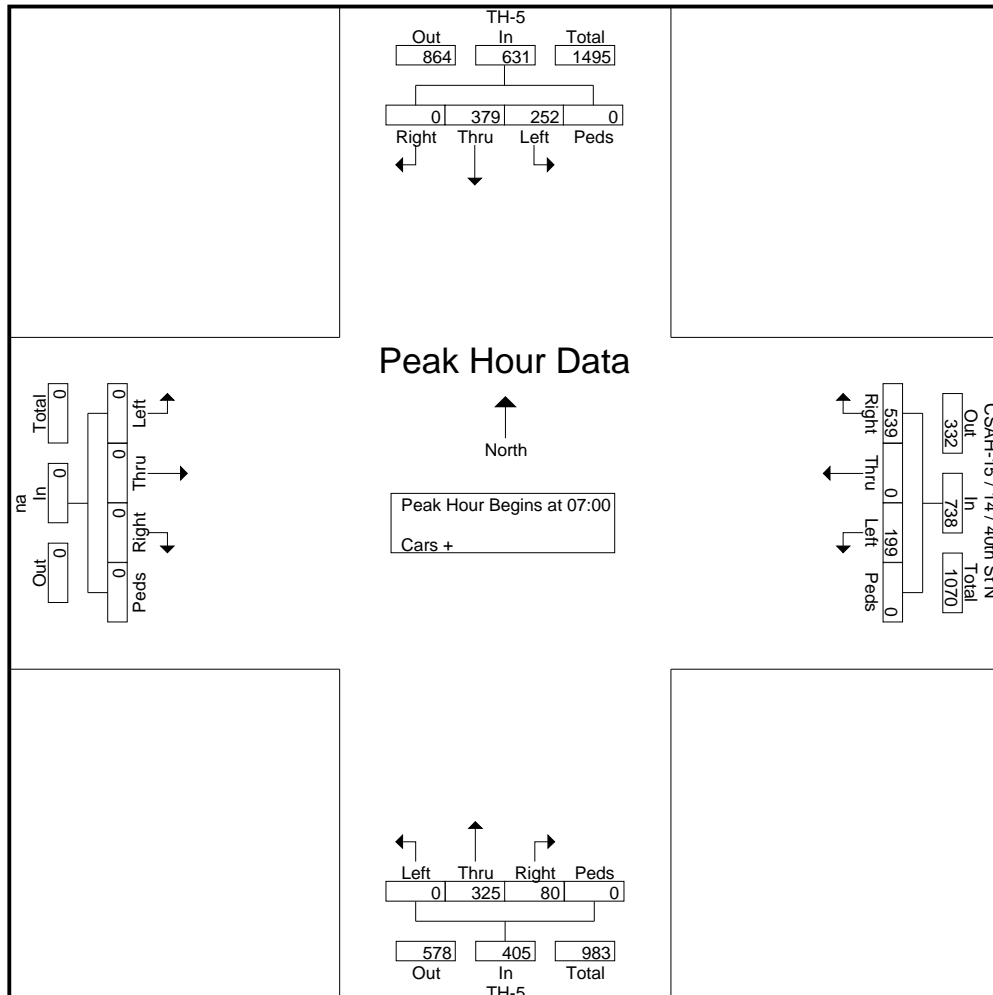
# MINNESOTA DEPT OF TRANSPORTATION

TRAFFIC DATA COLLECTION - METRO

TH-5 at CSAH-15/& 14 / 40th St N  
 Ref:Pt: 199.229  
 Video RE  
 TURN MOVEMENT COUNT

File Name : TH-5 at CSAH-15 14 2013  
 Site Code :  
 Start Date : 2/26/2013  
 Page No : 2

Start Time	TH-5 Southbound					CSAH-15 / 14 / 40th St N Westbound					TH-5 Northbound					na Eastbound					Int. Total
	Left	Thru	Right	Peds	App. Total	Left	Thru	Right	Peds	App. Total	Left	Thru	Right	Peds	App. Total	Left	Thru	Right	Peds	App. Total	
Peak Hour Analysis From 06:00 to 08:45 - Peak 1 of 1																					
Peak Hour for Entire Intersection Begins at 07:00																					
07:00	51	83	0	0	134	40	0	86	0	126	0	36	10	0	46	0	0	0	0	0	306
07:15	56	87	0	0	143	52	0	193	0	245	0	103	20	0	123	0	0	0	0	0	511
07:30	85	98	0	0	183	41	0	160	0	201	0	109	25	0	134	0	0	0	0	0	518
07:45	60	111	0	0	171	66	0	100	0	166	0	77	25	0	102	0	0	0	0	0	439
Total Volume	252	379	0	0	631	199	0	539	0	738	0	325	80	0	405	0	0	0	0	0	1774
% App. Total	39.9	60.1	0	0		27	0	73	0		0	80.2	19.8	0		0	0	0	0		
PHF	.741	.854	.000	.000	.862	.754	.000	.698	.000	.753	.000	.745	.800	.000	.756	.000	.000	.000	.000	.000	.856





# MINNESOTA DEPT OF TRANSPORTATION

## TRAFFIC DATA COLLECTION - METRO

TH-5 at CSAH-15/ & 14 / 40th St N  
 Ref:Pt: 199.229  
 Video RE  
 TURN MOVEMENT COUNT

File Name : TH-5 at CSAH-15 14 2013  
 Site Code :  
 Start Date : 2/26/2013  
 Page No : 3

Start Time	TH-5 Southbound					CSAH-15 / 14 / 40th St N Westbound					TH-5 Northbound					na Eastbound					Int. Total
	Left	Thru	Right	Peds	App. Total	Left	Thru	Right	Peds	App. Total	Left	Thru	Right	Peds	App. Total	Left	Thru	Right	Peds	App. Total	
Peak Hour Analysis From 15:30 to 18:15 - Peak 1 of 1																					
Peak Hour for Entire Intersection Begins at 16:45																					
16:45	83	71	0	0	154	30	0	105	0	135	0	139	27	0	166	0	0	0	0	0	455
17:00	88	93	0	0	181	21	0	110	0	131	0	148	45	0	193	0	0	0	0	0	505
17:15	103	87	0	0	190	25	0	88	0	113	0	130	41	0	171	0	0	0	0	0	474
17:30	83	78	0	0	161	29	0	99	0	128	0	131	24	0	155	0	0	0	0	0	444
Total Volume	357	329	0	0	686	105	0	402	0	507	0	548	137	0	685	0	0	0	0	0	1878
% App. Total	52	48	0	0		20.7	0	79.3	0		0	80	20	0		0	0	0	0		
PHF	.867	.884	.000	.000	.903	.875	.000	.914	.000	.939	.000	.926	.761	.000	.887	.000	.000	.000	.000	.000	.930

