



701 Xenia Ave S, Suite 300
 Minneapolis, MN 55416

TH 5 & St Clair Ave
 7-9am & 4-6pm
 vehicles, heavy trucks, peds
 day 1

File Name : site 40-TH 5 & St Clair Ave-day 1
 Site Code : 40
 Start Date : 3/29/2022
 Page No : 1

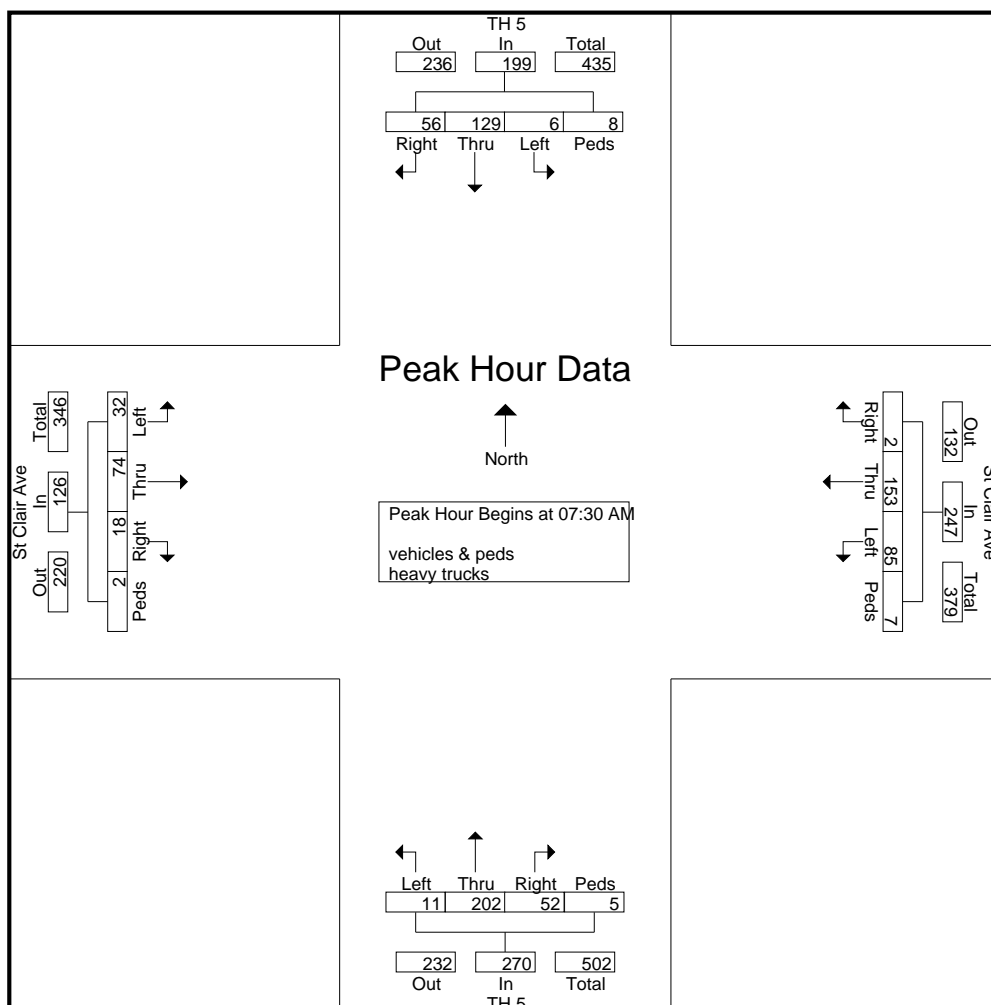
Groups Printed- vehicles & peds - heavy trucks

Start Time	TH 5 From North					St Clair Ave From East					TH 5 From South					St Clair Ave From West					Int. Total
	Right	Thru	Left	Peds	App. Total	Right	Thru	Left	Peds	App. Total	Right	Thru	Left	Peds	App. Total	Right	Thru	Left	Peds	App. Total	
07:00 AM	6	25	0	0	31	1	22	9	0	32	7	37	1	0	45	5	5	4	0	14	122
07:15 AM	6	26	0	1	33	0	33	14	0	47	3	46	0	3	52	4	7	3	0	14	146
07:30 AM	17	42	2	1	62	1	47	11	0	59	12	50	2	1	65	6	14	7	0	27	213
07:45 AM	11	37	2	2	52	1	43	26	2	72	13	58	3	2	76	4	15	11	1	31	231
Total	40	130	4	4	178	3	145	60	2	210	35	191	6	6	238	19	41	25	1	86	712
08:00 AM	12	23	1	3	39	0	32	21	5	58	15	46	1	1	63	5	21	9	0	35	195
08:15 AM	16	27	1	2	46	0	31	27	0	58	12	48	5	1	66	3	24	5	1	33	203
08:30 AM	7	39	1	2	49	1	31	21	0	53	15	50	3	0	68	3	12	6	0	21	191
08:45 AM	7	32	2	0	41	1	20	16	0	37	10	53	1	1	65	2	13	9	0	24	167
Total	42	121	5	7	175	2	114	85	5	206	52	197	10	3	262	13	70	29	1	113	756
04:00 PM	8	70	2	2	82	3	21	23	2	49	22	69	2	4	97	5	17	18	1	41	269
04:15 PM	10	54	2	4	70	4	31	24	2	61	25	58	7	1	91	1	57	16	4	78	300
04:30 PM	10	65	5	4	84	3	25	19	4	51	26	73	11	0	110	5	33	20	3	61	306
04:45 PM	13	64	7	6	90	2	35	21	6	64	17	84	9	3	113	5	53	27	3	88	355
Total	41	253	16	16	326	12	112	87	14	225	90	284	29	8	411	16	160	81	11	268	1230
05:00 PM	15	72	5	1	93	2	22	12	1	37	18	93	5	1	117	2	28	25	2	57	304
05:15 PM	14	61	7	3	85	5	28	29	1	63	25	76	4	1	106	6	30	34	0	70	324
05:30 PM	13	63	4	4	84	8	28	14	2	52	27	94	7	1	129	1	27	21	2	51	316
05:45 PM	10	54	2	5	71	2	21	14	6	43	17	104	5	4	130	4	22	32	4	62	306
Total	52	250	18	13	333	17	99	69	10	195	87	367	21	7	482	13	107	112	8	240	1250
Grand Total	175	754	43	40	1012	34	470	301	31	836	264	1039	66	24	1393	61	378	247	21	707	3948
Apprch %	17.3	74.5	4.2	4		4.1	56.2	36	3.7		19	74.6	4.7	1.7		8.6	53.5	34.9	3		
Total %	4.4	19.1	1.1	1	25.6	0.9	11.9	7.6	0.8	21.2	6.7	26.3	1.7	0.6	35.3	1.5	9.6	6.3	0.5	17.9	
vehicles & peds	173	752	43	40	1008	34	470	301	31	836	264	1029	66	23	1382	61	378	247	20	706	3932
% vehicles & peds	98.9	99.7	100	100	99.6	100	100	100	100	100	100	99	100	95.8	99.2	100	100	100	95.2	99.9	99.6
heavy trucks	2	2	0	0	4	0	0	0	0	0	0	10	0	1	11	0	0	0	1	1	16
% heavy trucks	1.1	0.3	0	0	0.4	0	0	0	0	0	0	1	0	4.2	0.8	0	0	0	4.8	0.1	0.4

TH 5 & St Clair Ave
 7-9am & 4-6pm
 vehicles, heavy trucks, peds
 day 1

File Name : site 40-TH 5 & St Clair Ave-day 1
 Site Code : 40
 Start Date : 3/29/2022
 Page No : 2

Start Time	TH 5 From North					St Clair Ave From East					TH 5 From South					St Clair Ave From West					Int. Total
	Right	Thru	Left	Peds	App. Total	Right	Thru	Left	Peds	App. Total	Right	Thru	Left	Peds	App. Total	Right	Thru	Left	Peds	App. Total	
Peak Hour Analysis From 07:00 AM to 11:45 AM - Peak 1 of 1																					
Peak Hour for Entire Intersection Begins at 07:30 AM																					
07:30 AM	17	42	2	1	62	1	47	11	0	59	12	50	2	1	65	6	14	7	0	27	213
07:45 AM	11	37	2	2	52	1	43	26	2	72	13	58	3	2	76	4	15	11	1	31	231
08:00 AM	12	23	1	3	39	0	32	21	5	58	15	46	1	1	63	5	21	9	0	35	195
08:15 AM	16	27	1	2	46	0	31	27	0	58	12	48	5	1	66	3	24	5	1	33	203
Total Volume	56	129	6	8	199	2	153	85	7	247	52	202	11	5	270	18	74	32	2	126	842
% App. Total	28.1	64.8	3	4		0.8	61.9	34.4	2.8		19.3	74.8	4.1	1.9		14.3	58.7	25.4	1.6		
PHF	.824	.768	.750	.667	.802	.500	.814	.787	.350	.858	.867	.871	.550	.625	.888	.750	.771	.727	.500	.900	.911





701 Xenia Ave S, Suite 300
 Minneapolis, MN 55416

TH 5 & St Clair Ave
 7-9am & 4-6pm
 vehicles, heavy trucks, peds
 day 1

File Name : site 40-TH 5 & St Clair Ave-day 1
 Site Code : 40
 Start Date : 3/29/2022
 Page No : 3

Start Time	TH 5 From North					St Clair Ave From East					TH 5 From South					St Clair Ave From West					Int. Total
	Rig ht	Thr u	Left	Ped s	App. Total	Rig ht	Thr u	Left	Ped s	App. Total	Right	Thr u	Left	Peds	App. Total	Right	Thr u	Left	Peds	App. Total	
Peak Hour Analysis From 12:00 PM to 05:45 PM - Peak 1 of 1																					
Peak Hour for Entire Intersection Begins at 04:45 PM																					
04:45 PM	13	64	7	6	90	2	35	21	6	64	17	84	9	3	113	5	53	27	3	88	355
05:00 PM	15	72	5	1	93	2	22	12	1	37	18	93	5	1	117	2	28	25	2	57	304
05:15 PM	14	61	7	3	85	5	28	29	1	63	25	76	4	1	106	6	30	34	0	70	324
05:30 PM	13	63	4	4	84	8	28	14	2	52	27	94	7	1	129	1	27	21	2	51	316
Total Volume	55	260	23	14	352	17	113	76	10	216	87	347	25	6	465	14	138	107	7	266	1299
% App. Total	15.6	73.9	6.5	4		7.9	52.3	35.2	4.6		18.7	74.6	5.4	1.3		5.3	51.9	40.2	2.6		
PHF	.917	.903	.821	.583	.946	.531	.807	.655	.417	.844	.806	.923	.694	.500	.901	.583	.651	.787	.583	.756	.915

