



701 Xenia Ave S, Suite 300
 Minneapolis, MN 55416

TH 5 & Randolph Ave & Osceola Ave
 7-9am & 4-6pm
 vehicles, heavy trucks, peds
 day 2

File Name : Site 33 - TH 5 & Randolph & Osceola-day 2
 Site Code : 33
 Start Date : 4/13/2022
 Page No : 1

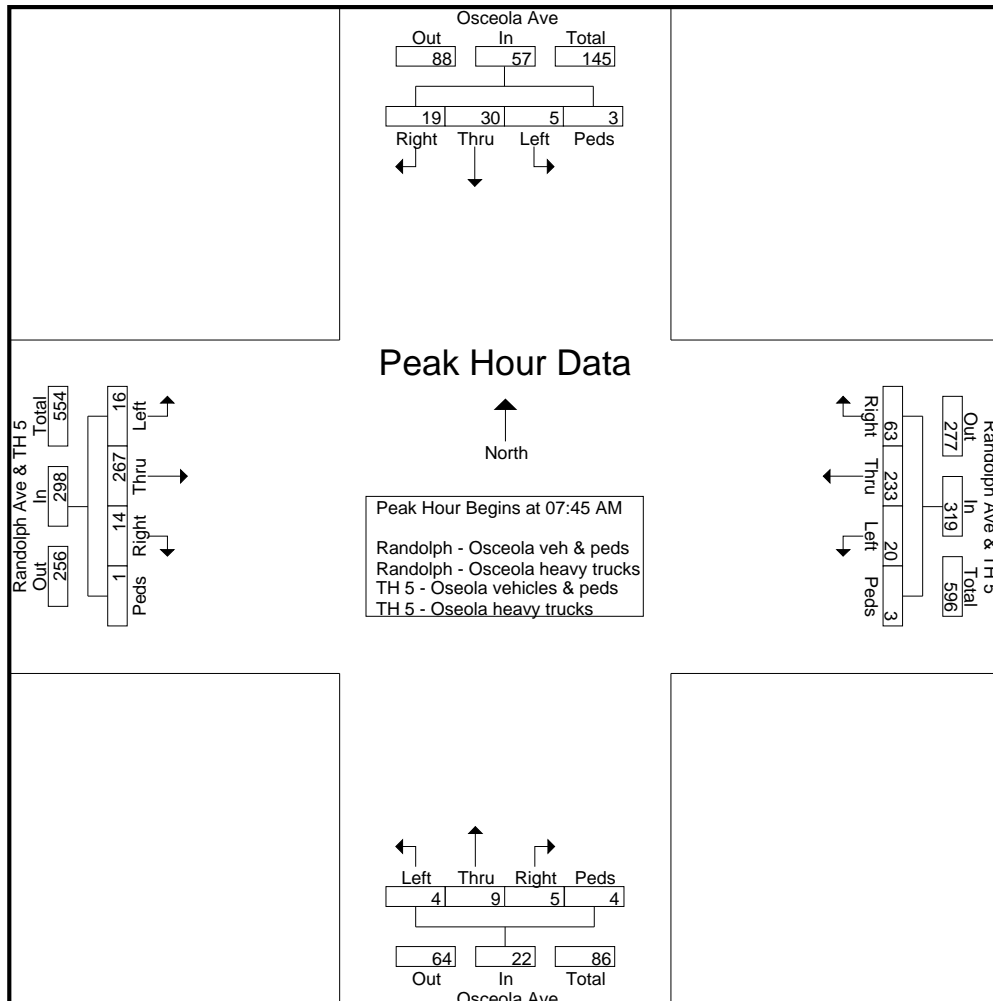
Groups Printed- Osceola veh & peds - Osceola heavy trucks - Oseola vehicles & peds - Oseola heavy trucks

Start Time	Osceola Ave From North					Randolph Ave & TH 5 From East					Osceola Ave From South					Randolph Ave & TH 5 From West					Int. Total
	Right	Thru	Left	Peds	App. Total	Right	Thru	Left	Peds	App. Total	Right	Thru	Left	Peds	App. Total	Right	Thru	Left	Peds	App. Total	
07:00 AM	1	4	0	0	5	6	33	1	0	40	0	2	0	0	2	1	43	3	0	47	94
07:15 AM	2	5	5	0	12	4	54	8	0	66	1	5	2	0	8	4	58	1	0	63	149
07:30 AM	2	4	0	0	6	14	38	2	0	54	0	4	2	2	8	4	59	3	1	67	135
07:45 AM	6	15	1	1	23	15	61	4	1	81	3	4	0	2	9	3	83	4	1	91	204
Total	11	28	6	1	46	39	186	15	1	241	4	15	4	4	27	12	243	11	2	268	582
08:00 AM	3	7	1	0	11	23	66	7	1	97	2	2	2	1	7	4	60	5	0	69	184
08:15 AM	5	2	2	2	11	14	54	5	1	74	0	2	0	0	2	6	59	7	0	72	159
08:30 AM	5	6	1	0	12	11	52	4	0	67	0	1	2	1	4	1	65	0	0	66	149
08:45 AM	3	6	2	0	11	14	50	5	0	69	1	2	2	0	5	7	55	4	0	66	151
Total	16	21	6	2	45	62	222	21	2	307	3	7	6	2	18	18	239	16	0	273	643
04:00 PM	4	3	1	3	11	21	84	14	0	119	2	7	2	1	12	6	113	5	2	126	268
04:15 PM	5	4	8	1	18	19	92	5	0	116	0	5	2	3	10	7	116	2	1	126	270
04:30 PM	6	3	3	0	12	29	106	6	0	141	5	10	1	4	20	1	122	10	0	133	306
04:45 PM	3	7	3	2	15	26	106	13	0	145	1	8	2	0	11	4	99	9	0	112	283
Total	18	17	15	6	56	95	388	38	0	521	8	30	7	8	53	18	450	26	3	497	1127
05:00 PM	3	2	1	0	6	29	76	8	1	114	3	11	6	0	20	9	119	11	0	139	279
05:15 PM	5	5	5	1	16	32	95	2	0	129	3	7	0	0	10	7	107	10	1	125	280
05:30 PM	6	4	1	1	12	24	63	9	4	100	0	1	0	0	1	7	113	9	0	129	242
05:45 PM	3	1	5	1	10	30	58	6	0	94	4	1	2	2	9	9	108	8	0	125	238
Total	17	12	12	3	44	115	292	25	5	437	10	20	8	2	40	32	447	38	1	518	1039
Grand Total	62	78	39	12	191	311	1088	99	8	1506	25	72	25	16	138	80	1379	91	6	1556	3391
Apprch %	32.5	40.8	20.4	6.3		20.7	72.2	6.6	0.5		18.1	52.2	18.1	11.6		5.1	88.6	5.8	0.4		
Total %	1.8	2.3	1.2	0.4	5.6	9.2	32.1	2.9	0.2	44.4	0.7	2.1	0.7	0.5	4.1	2.4	40.7	2.7	0.2	45.9	
Randolph - Osceola veh & peds	6	77	30	12	125	44	292	0	8	344	1	69	13	15	98	34	442	13	0	489	1056
% Randolph - Osceola veh & peds	9.7	98.7	76.9	100	65.4	14.1	26.8	0	100	22.8	4	95.8	52	93.8	71	42.5	32.1	14.3	0	31.4	31.1
Randolph - Osceola heavy trucks	0	0	0	0	0	1	2	0	0	3	0	0	0	1	1	0	3	0	0	3	7
% Randolph - Osceola heavy trucks	0	0	0	0	0	0.3	0.2	0	0	0.2	0	0	0	6.2	0.7	0	0.2	0	0	0.2	0.2
TH 5 - Osceola vehicles & peds	56	1	9	0	66	266	791	99	0	1156	24	3	12	0	39	46	929	77	5	1057	2318
% TH 5 - Osceola vehicles & peds	90.3	1.3	23.1	0	34.6	85.5	72.7	100	0	76.8	96	4.2	48	0	28.3	57.5	67.4	84.6	83.3	67.9	68.4
TH 5 - Osceola heavy trucks	0	0	0	0	0	0	3	0	0	3	0	0	0	0	0	0	5	1	1	7	10
% TH 5 - Osceola heavy trucks	0	0	0	0	0	0	0.3	0	0	0.2	0	0	0	0	0	0	0.4	1.1	16.7	0.4	0.3

TH 5 & Randolph Ave & Osceola Ave
 7-9am & 4-6pm
 vehicles, heavy trucks, peds
 day 2

File Name : Site 33 - TH 5 & Randolph & Osceola-day 2
 Site Code : 33
 Start Date : 4/13/2022
 Page No : 2

Start Time	Osceola Ave From North					Randolph Ave & TH 5 From East					Osceola Ave From South					Randolph Ave & TH 5 From West					Int. Total
	Right	Thru	Left	Peds	App. Total	Right	Thru	Left	Peds	App. Total	Right	Thru	Left	Peds	App. Total	Right	Thru	Left	Peds	App. Total	
Peak Hour Analysis From 07:00 AM to 11:45 AM - Peak 1 of 1																					
Peak Hour for Entire Intersection Begins at 07:45 AM																					
07:45 AM	6	15	1	1	23	15	61	4	1	81	3	4	0	2	9	3	83	4	1	91	204
08:00 AM	3	7	1	0	11	23	66	7	1	97	2	2	2	1	7	4	60	5	0	69	184
08:15 AM	5	2	2	2	11	14	54	5	1	74	0	2	0	0	2	6	59	7	0	72	159
08:30 AM	5	6	1	0	12	11	52	4	0	67	0	1	2	1	4	1	65	0	0	66	149
Total Volume	19	30	5	3	57	63	233	20	3	319	5	9	4	4	22	14	267	16	1	298	696
% App. Total	33.3	52.6	8.8	5.3		19.7	73	6.3	0.9		22.7	40.9	18.2	18.2		4.7	89.6	5.4	0.3		
PHF	.792	.500	.625	.375	.620	.685	.883	.714	.750	.822	.417	.563	.500	.500	.611	.583	.804	.571	.250	.819	.853



TH 5 & Randolph Ave & Osceola Ave
7-9am & 4-6pm
vehicles, heavy trucks, peds
day 2

File Name : Site 33 - TH 5 & Randolph & Osceola-day 2
Site Code : 33
Start Date : 4/13/2022
Page No : 3

Start Time	Osceola Ave From North					Randolph Ave & TH 5 From East					Osceola Ave From South					Randolph Ave & TH 5 From West					Int. Total
	Rig ht	Thr u	Left	Ped s	App. Total	Rig ht	Thr u	Left	Ped s	App. Total	Right	Thr u	Left	Peds	App. Total	Right	Thr u	Left	Peds	App. Total	
Peak Hour Analysis From 12:00 PM to 05:45 PM - Peak 1 of 1																					
Peak Hour for Entire Intersection Begins at 04:30 PM																					
04:30 PM	6	3	3	0	12	29	106	6	0	141	5	10	1	4	20	1	122	10	0	133	306
04:45 PM	3	7	3	2	15	26	106	13	0	145	1	8	2	0	11	4	99	9	0	112	283
05:00 PM	3	2	1	0	6	29	76	8	1	114	3	11	6	0	20	9	119	11	0	139	279
05:15 PM	5	5	5	1	16	32	95	2	0	129	3	7	0	0	10	7	107	10	1	125	280
Total Volume	17	17	12	3	49	116	383	29	1	529	12	36	9	4	61	21	447	40	1	509	1148
% App. Total	34.7	34.7	24.5	6.1		21.9	72.4	5.5	0.2		19.7	59	14.8	6.6		4.1	87.8	7.9	0.2		
PHF	.708	.607	.600	.375	.766	.906	.903	.558	.250	.912	.600	.818	.375	.250	.763	.583	.916	.909	.250	.915	.938

