



701 Xenia Ave S, Suite 300
 Minneapolis, MN 55416

TH 5 & Tuscarora Ave
 7-9am & 4-6pm
 vehicles, heavy trucks, peds
 day 2

File Name : site 28-TH 5 & Tuscarora Ave-day 2
 Site Code : 28
 Start Date : 3/23/2022
 Page No : 1

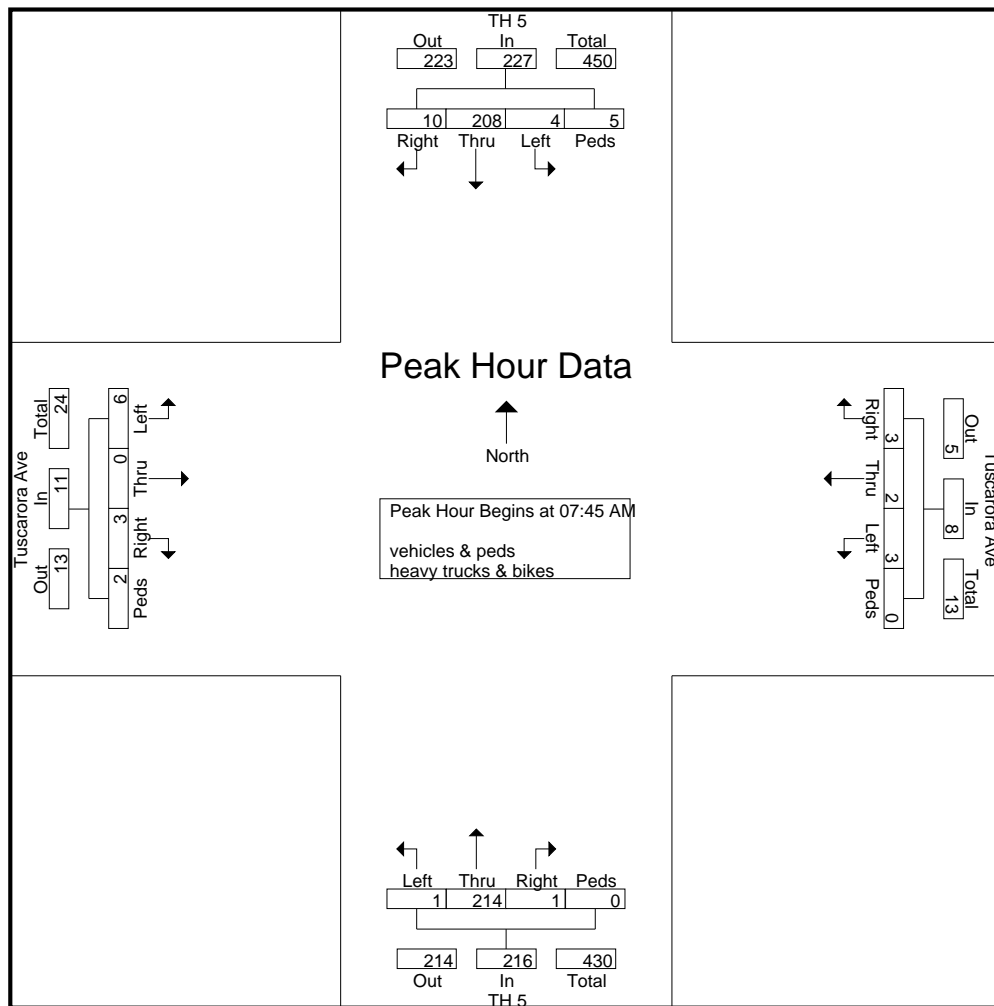
Groups Printed- vehicles & peds - heavy trucks & bikes

Start Time	TH 5 From North					Tuscarora Ave From East					TH 5 From South					Tuscarora Ave From West					Int. Total	
	Right	Thru	Left	Peds	App. Total	Right	Thru	Left	Peds	App. Total	Right	Thru	Left	Peds	App. Total	Right	Thru	Left	Peds	App. Total		
07:00 AM	0	20	0	0	20	0	0	0	0	0	0	43	0	0	43	0	1	0	0	1	64	
07:15 AM	1	43	1	0	45	0	0	0	0	0	0	37	1	1	39	1	0	0	0	2	3	87
07:30 AM	4	38	2	0	44	2	0	2	0	4	0	53	1	1	55	1	1	0	0	2	105	
07:45 AM	3	62	1	3	69	1	1	2	0	4	0	58	0	0	58	1	0	2	1	4	135	
Total	8	163	4	3	178	3	1	4	0	8	0	191	2	2	195	3	2	2	3	10	391	
08:00 AM	2	58	2	2	64	0	1	0	0	1	0	49	0	0	49	1	0	1	1	3	117	
08:15 AM	2	43	1	0	46	1	0	0	0	1	0	56	0	0	56	0	0	1	0	1	104	
08:30 AM	3	45	0	0	48	1	0	1	0	2	1	51	1	0	53	1	0	2	0	3	106	
08:45 AM	2	37	0	0	39	0	0	0	0	0	1	65	0	0	66	0	0	0	0	0	105	
Total	9	183	3	2	197	2	1	1	0	4	2	221	1	0	224	2	0	4	1	7	432	
04:00 PM	4	77	0	0	81	1	0	2	0	3	1	70	3	0	74	1	2	5	2	10	168	
04:15 PM	6	79	1	0	86	1	0	1	0	2	0	94	0	2	96	2	2	3	0	7	191	
04:30 PM	8	82	2	0	92	2	0	0	1	3	1	86	1	0	88	2	1	3	0	6	189	
04:45 PM	1	106	2	1	110	2	3	1	0	6	1	93	0	0	94	0	0	0	2	2	212	
Total	19	344	5	1	369	6	3	4	1	14	3	343	4	2	352	5	5	11	4	25	760	
05:00 PM	2	84	1	0	87	2	1	2	0	5	0	99	3	0	102	3	5	2	0	10	204	
05:15 PM	4	78	2	2	86	0	1	0	2	3	0	89	1	0	90	5	0	1	2	8	187	
05:30 PM	3	60	0	0	63	1	0	0	0	1	2	101	0	0	103	1	0	1	1	3	170	
05:45 PM	1	57	1	0	59	0	2	0	0	2	1	92	3	0	96	2	2	1	1	6	163	
Total	10	279	4	2	295	3	4	2	2	11	3	381	7	0	391	11	7	5	4	27	724	
Grand Total	46	969	16	8	1039	14	9	11	3	37	8	1136	14	4	1162	21	14	22	12	69	2307	
Apprch %	4.4	93.3	1.5	0.8		37.8	24.3	29.7	8.1		0.7	97.8	1.2	0.3		30.4	20.3	31.9	17.4			
Total %	2	42	0.7	0.3	45	0.6	0.4	0.5	0.1	1.6	0.3	49.2	0.6	0.2	50.4	0.9	0.6	1	0.5	3		
vehicles & peds	46	965	16	8	1035	14	9	11	3	37	8	1129	14	4	1155	21	14	22	12	69	2296	
% vehicles & peds	100	99.6	100	100	99.6	100	100	100	100	100	100	99.4	100	100	99.4	100	100	100	100	100	99.5	
heavy trucks & bikes	0	4	0	0	4	0	0	0	0	0	0	7	0	0	7	0	0	0	0	0	11	
% heavy trucks & bikes	0	0.4	0	0	0.4	0	0	0	0	0	0	0.6	0	0	0.6	0	0	0	0	0	0.5	

TH 5 & Tuscarora Ave
7-9am & 4-6pm
vehicles, heavy trucks, peds
day 2

File Name : site 28-TH 5 & Tuscarora Ave-day 2
Site Code : 28
Start Date : 3/23/2022
Page No : 2

Start Time	TH 5 From North					Tuscarora Ave From East					TH 5 From South					Tuscarora Ave From West					Int. Total
	Rig ht	Thr u	Left	Ped s	App. Total	Rig ht	Thr u	Left	Ped s	App. Total	Rig ht	Thr u	Left	Ped s	App. Total	Rig ht	Thr u	Left	Ped s	App. Total	
Peak Hour Analysis From 07:00 AM to 11:45 AM - Peak 1 of 1																					
Peak Hour for Entire Intersection Begins at 07:45 AM																					
07:45 AM	3	62	1	3	69	1	1	2	0	4	0	58	0	0	58	1	0	2	1	4	135
08:00 AM	2	58	2	2	64	0	1	0	0	1	0	49	0	0	49	1	0	1	1	3	117
08:15 AM	2	43	1	0	46	1	0	0	0	1	0	56	0	0	56	0	0	1	0	1	104
08:30 AM	3	45	0	0	48	1	0	1	0	2	1	51	1	0	53	1	0	2	0	3	106
Total Volume	10	208	4	5	227	3	2	3	0	8	1	214	1	0	216	3	0	6	2	11	462
% App. Total	4.4	91.6	1.8	2.2		37.5	25	37.5	0		0.5	99.1	0.5	0		27.3	0	54.5	18.2		
PHF	.833	.839	.500	.417	.822	.750	.500	.375	.000	.500	.250	.922	.250	.000	.931	.750	.000	.750	.500	.688	.856



TH 5 & Tuscarora Ave
7-9am & 4-6pm
vehicles, heavy trucks, peds
day 2

File Name : site 28-TH 5 & Tuscarora Ave-day 2
Site Code : 28
Start Date : 3/23/2022
Page No : 3

Start Time	TH 5 From North					Tuscarora Ave From East					TH 5 From South					Tuscarora Ave From West					Int. Total
	Rig ht	Thr u	Left	Ped s	App. Total	Rig ht	Thr u	Left	Ped s	App. Total	Right	Thr u	Left	Peds	App. Total	Right	Thr u	Left	Peds	App. Total	
Peak Hour Analysis From 12:00 PM to 05:45 PM - Peak 1 of 1																					
Peak Hour for Entire Intersection Begins at 04:15 PM																					
04:15 PM	6	79	1	0	86	1	0	1	0	2	0	94	0	2	96	2	2	3	0	7	191
04:30 PM	8	82	2	0	92	2	0	0	1	3	1	86	1	0	88	2	1	3	0	6	189
04:45 PM	1	106	2	1	110	2	3	1	0	6	1	93	0	0	94	0	0	0	2	2	212
05:00 PM	2	84	1	0	87	2	1	2	0	5	0	99	3	0	102	3	5	2	0	10	204
Total Volume	17	351	6	1	375	7	4	4	1	16	2	372	4	2	380	7	8	8	2	25	796
% App. Total	4.5	93.6	1.6	0.3		43.8	25	25	6.2		0.5	97.9	1.1	0.5		28	32	32	8		
PHF	.531	.828	.750	.250	.852	.875	.333	.500	.250	.667	.500	.939	.333	.250	.931	.583	.400	.667	.250	.625	.939

