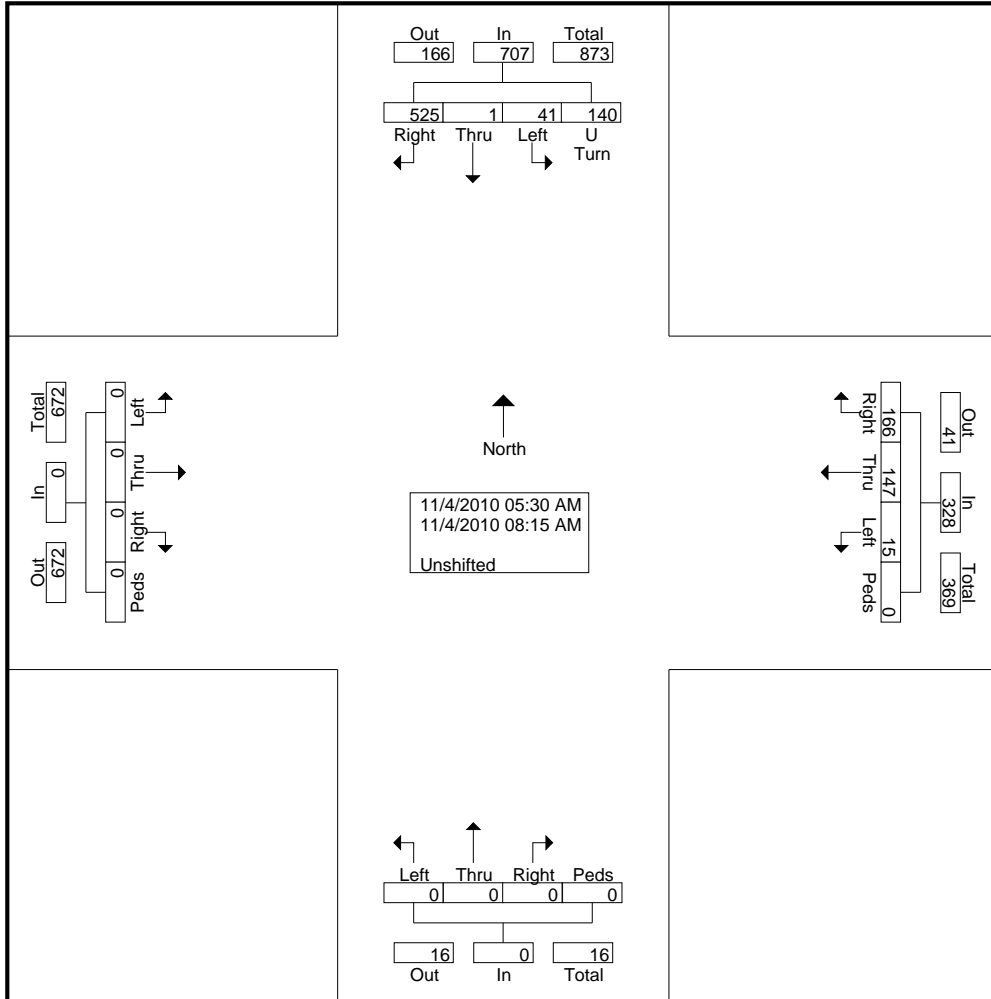


Location: Post Rd and SB TH-5 Ramps
EB counted at Post Rd and Northwest Dr
35-46 degrees, mostly sunny
Count By: RN (AM) and HW (PM)

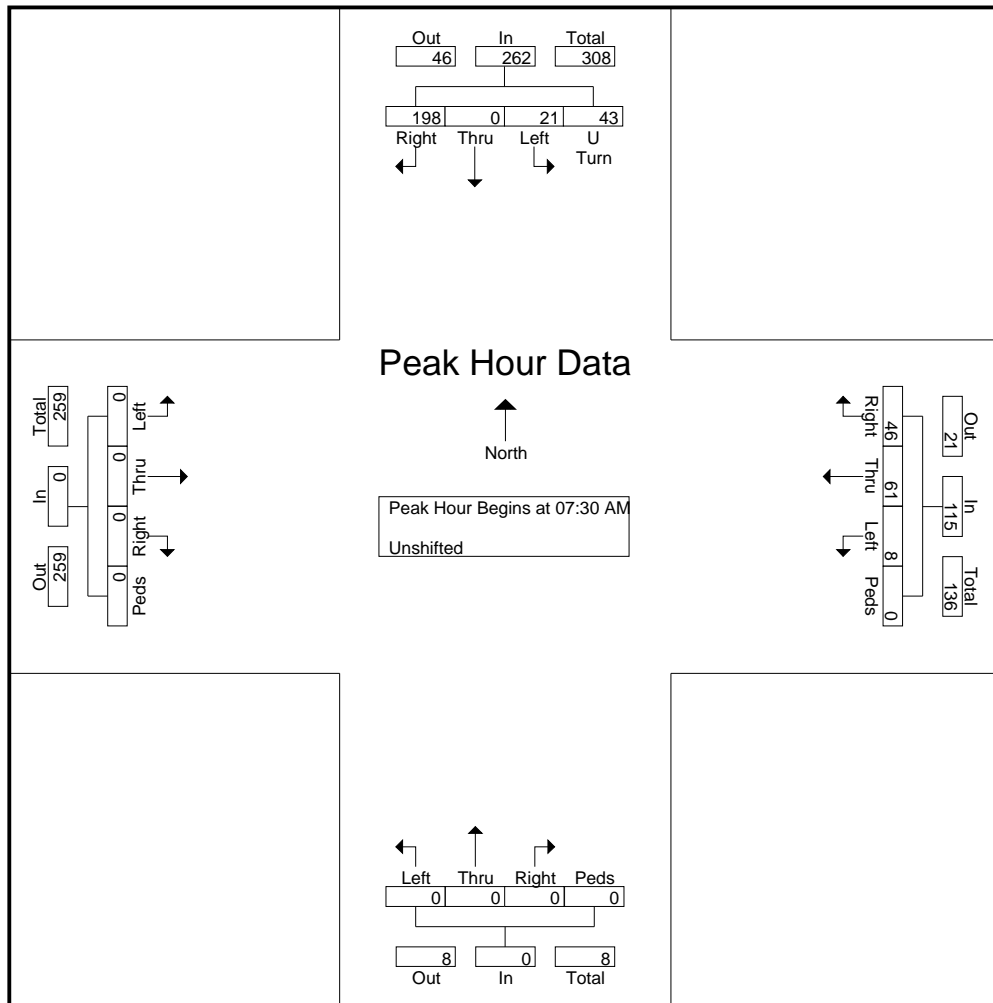
File Name : Post_Rd_&_TH-5_SB_ramps
Site Code : 00000019
Start Date : 11/4/2010
Page No : 2



Location: Post Rd and SB TH-5 Ramps
EB counted at Post Rd and Northwest Dr
35-46 degrees, mostly sunny
Count By: RN (AM) and HW (PM)

File Name : Post_Rd_&_TH-5_SB_ramps
Site Code : 00000019
Start Date : 11/4/2010
Page No : 3

Start Time	Southbound					Westbound					Northbound					Eastbound					Int. Total
	Left	Thru	Right	U Turn	App. Total	Left	Thru	Right	Peds	App. Total	Left	Thru	Right	Peds	App. Total	Left	Thru	Right	Peds	App. Total	
Peak Hour Analysis From 05:30 AM to 08:15 AM - Peak 1 of 1																					
Peak Hour for Entire Intersection Begins at 07:30 AM																					
07:30 AM	6	0	44	12	62	1	14	15	0	30	0	0	0	0	0	0	0	0	0	0	92
07:45 AM	5	0	59	11	75	1	7	14	0	22	0	0	0	0	0	0	0	0	0	0	97
08:00 AM	5	0	39	8	52	3	24	11	0	38	0	0	0	0	0	0	0	0	0	0	90
08:15 AM	5	0	56	12	73	3	16	6	0	25	0	0	0	0	0	0	0	0	0	0	98
Total Volume	21	0	198	43	262	8	61	46	0	115	0	0	0	0	0	0	0	0	0	0	377
% App. Total	8	0	75.6	16.4		7	53	40	0		0	0	0	0	0	0	0	0	0	0	
PHF	.875	.000	.839	.896	.873	.667	.635	.767	.000	.757	.000	.000	.000	.000	.000	.000	.000	.000	.000	.000	.962



Location: Post Rd and SB TH-5 Ramps
 EB counted at Post Rd and Northwest Dr
 35-46 degrees, mostly sunny
 Count By: RN (AM) and HW (PM)

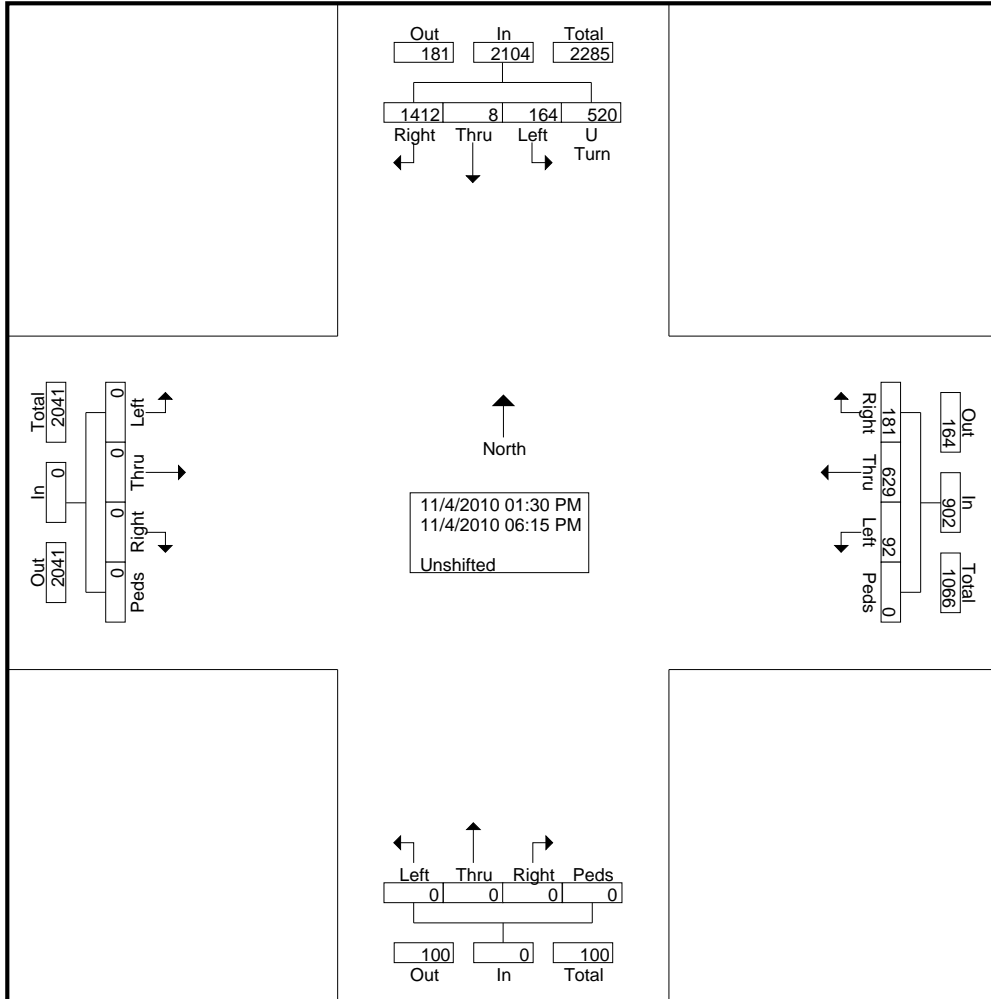
File Name : Post_Rd_&_TH-5_SB_ramps
 Site Code : 0000019
 Start Date : 11/4/2010
 Page No : 1

Groups Printed- Unshifted

Start Time	Southbound					Westbound					Northbound					Eastbound					Int. Total
	Left	Thru	Right	U Turn	App. Total	Left	Thru	Right	Peds	App. Total	Left	Thru	Right	Peds	App. Total	Left	Thru	Right	Peds	App. Total	
Factor	1.0	1.0	1.0	1.0		1.0	1.0	1.0	1.0		1.0	1.0	1.0	1.0		1.0	1.0	1.0	1.0		
01:30 PM	6	2	63	28	99	7	30	16	0	53	0	0	0	0	0	0	0	0	0	0	152
01:45 PM	2	1	85	30	118	7	29	27	0	63	0	0	0	0	0	0	0	0	0	0	181
Total	8	3	148	58	217	14	59	43	0	116	0	0	0	0	0	0	0	0	0	0	333
02:00 PM	4	1	70	26	101	9	31	20	0	60	0	0	0	0	0	0	0	0	0	0	161
02:15 PM	4	1	67	21	93	7	37	15	0	59	0	0	0	0	0	0	0	0	0	0	152
02:30 PM	7	0	55	24	86	6	30	8	0	44	0	0	0	0	0	0	0	0	0	0	130
02:45 PM	8	0	70	23	101	4	26	5	0	35	0	0	0	0	0	0	0	0	0	0	136
Total	23	2	262	94	381	26	124	48	0	198	0	0	0	0	0	0	0	0	0	0	579
03:00 PM	5	0	63	28	96	7	27	3	0	37	0	0	0	0	0	0	0	0	0	0	133
03:15 PM	7	0	64	31	102	3	28	8	0	39	0	0	0	0	0	0	0	0	0	0	141
03:30 PM	10	1	85	19	115	3	42	11	0	56	0	0	0	0	0	0	0	0	0	0	171
03:45 PM	9	0	74	23	106	3	38	4	0	45	0	0	0	0	0	0	0	0	0	0	151
Total	31	1	286	101	419	16	135	26	0	177	0	0	0	0	0	0	0	0	0	0	596
04:00 PM	4	1	82	31	118	4	30	8	0	42	0	0	0	0	0	0	0	0	0	0	160
04:15 PM	8	0	63	34	105	2	34	9	0	45	0	0	0	0	0	0	0	0	0	0	150
04:30 PM	9	0	85	18	112	2	32	5	0	39	0	0	0	0	0	0	0	0	0	0	151
04:45 PM	13	0	77	41	131	1	32	4	0	37	0	0	0	0	0	0	0	0	0	0	168
Total	34	1	307	124	466	9	128	26	0	163	0	0	0	0	0	0	0	0	0	0	629
05:00 PM	15	0	78	29	122	2	34	7	0	43	0	0	0	0	0	0	0	0	0	0	165
05:15 PM	3	0	77	38	118	6	28	4	0	38	0	0	0	0	0	0	0	0	0	0	156
05:30 PM	11	1	73	25	110	3	33	2	0	38	0	0	0	0	0	0	0	0	0	0	148
05:45 PM	11	0	73	26	110	3	30	7	0	40	0	0	0	0	0	0	0	0	0	0	150
Total	40	1	301	118	460	14	125	20	0	159	0	0	0	0	0	0	0	0	0	0	619
06:00 PM	11	0	53	15	79	7	37	9	0	53	0	0	0	0	0	0	0	0	0	0	132
06:15 PM	17	0	55	10	82	6	21	9	0	36	0	0	0	0	0	0	0	0	0	0	118
Grand Total	164	8	1412	520	2104	92	629	181	0	902	0	0	0	0	0	0	0	0	0	0	3006
Apprch %	7.8	0.4	67.1	24.7		10.2	69.7	20.1	0		0	0	0	0		0	0	0	0		
Total %	5.5	0.3	47	17.3	70	3.1	20.9	6	0	30	0	0	0	0	0	0	0	0	0	0	

Location: Post Rd and SB TH-5 Ramps
EB counted at Post Rd and Northwest Dr
35-46 degrees, mostly sunny
Count By: RN (AM) and HW (PM)

File Name : Post_Rd_&_TH-5_SB_ramps
Site Code : 00000019
Start Date : 11/4/2010
Page No : 2



Location: Post Rd and SB TH-5 Ramps
EB counted at Post Rd and Northwest Dr
35-46 degrees, mostly sunny
Count By: RN (AM) and HW (PM)

File Name : Post_Rd_&_TH-5_SB_ramps
Site Code : 00000019
Start Date : 11/4/2010
Page No : 3

Start Time	Southbound					Westbound					Northbound					Eastbound					Int. Total
	Left	Thru	Right	U Turn	App. Total	Left	Thru	Right	Peds	App. Total	Left	Thru	Right	Peds	App. Total	Left	Thru	Right	Peds	App. Total	
Peak Hour Analysis From 01:30 PM to 06:15 PM - Peak 1 of 1																					
Peak Hour for Entire Intersection Begins at 01:30 PM																					
01:30 PM	6	2	63	28	99	7	30	16	0	53	0	0	0	0	0	0	0	0	0	0	152
01:45 PM	2	1	85	30	118	7	29	27	0	63	0	0	0	0	0	0	0	0	0	0	181
02:00 PM	4	1	70	26	101	9	31	20	0	60	0	0	0	0	0	0	0	0	0	0	161
02:15 PM	4	1	67	21	93	7	37	15	0	59	0	0	0	0	0	0	0	0	0	0	152
Total Volume	16	5	285	105	411	30	127	78	0	235	0	0	0	0	0	0	0	0	0	0	646
% App. Total	3.9	1.2	69.3	25.5		12.8	54	33.2	0		0	0	0	0	0	0	0	0	0	0	
PHF	.667	.625	.838	.875	.871	.833	.858	.722	.000	.933	.000	.000	.000	.000	.000	.000	.000	.000	.000	.000	.892

