



# MINNESOTA DEPT OF TRANSPORTATION

## TRAFFIC DATA COLLECTION - METRO

TH-5 at TH-101 /Chanhassen Rd /Dakota Rd  
 Ref.Pt.: 046.132  
 Data by: Westwood Professional Services  
 TURN MOVEMENT COUNT

File Name : TH-5 at TH-101 Dakota Ave 2008  
 Site Code : 12052518  
 Start Date : 9/18/2008  
 Page No : 1

### Groups Printed- Unshifted

Start Time	TH-101 / Chanhassen Rd. Southbound				TH-5 Westbound				Dakota Ave. Northbound				TH-5 Eastbound				Int. Total
	Left	Thru	Right	Peds	Left	Thru	Right	Peds	Left	Thru	Right	Peds	Left	Thru	Right	Peds	
06:00	9	4	5	1	5	117	1	1	10	4	6	0	16	232	12	0	423
06:15	15	4	7	0	3	102	6	0	7	1	5	0	15	243	16	0	424
06:30	19	5	15	0	14	122	5	0	9	11	6	0	26	279	12	0	523
06:45	32	11	17	0	5	175	10	0	4	7	7	0	37	331	32	0	668
Total	75	24	44	1	27	516	22	1	30	23	24	0	94	1085	72	0	2038
07:00	27	17	35	0	17	155	13	0	7	6	9	0	27	354	23	0	690
07:15	28	16	25	0	10	170	11	0	10	11	9	0	50	383	28	0	751
07:30	31	23	31	0	12	210	8	0	1	8	8	0	70	407	33	0	842
07:45	24	19	42	0	18	183	7	0	13	10	13	0	44	392	50	0	815
Total	110	75	133	0	57	718	39	0	31	35	39	0	191	1536	134	0	3098
08:00	30	16	22	0	6	103	15	0	12	5	0	0	48	360	40	0	657
08:15	40	14	23	0	11	139	13	1	10	11	4	0	38	274	21	0	599
08:30	23	20	28	0	17	158	8	0	9	6	2	0	26	265	31	1	594
08:45	27	15	26	0	7	101	7	0	8	7	10	0	26	252	18	0	504
Total	120	65	99	0	41	501	43	1	39	29	16	0	138	1151	110	1	2354
*** BREAK ***																	
11:00	18	9	21	0	8	167	14	0	19	9	7	0	25	235	14	0	546
11:15	15	10	28	0	10	179	14	0	18	16	14	0	30	250	13	0	597
11:30	18	14	36	0	13	197	26	0	40	17	14	0	32	239	23	0	669
11:45	21	21	28	0	16	229	24	0	27	14	15	0	27	211	30	0	663
Total	72	54	113	0	47	772	78	0	104	56	50	0	114	935	80	0	2475
12:00	11	19	25	0	11	146	53	1	42	18	16	0	28	248	30	0	648
12:15	12	13	22	0	15	197	35	0	23	15	13	0	21	268	31	0	665
12:30	22	16	28	0	19	174	18	0	26	13	21	0	31	236	35	0	639
12:45	18	14	31	0	18	231	16	0	16	6	15	0	24	231	20	0	640
Total	63	62	106	0	63	748	122	1	107	52	65	0	104	983	116	0	2592
*** BREAK ***																	
15:00	19	9	36	0	9	274	49	0	16	10	11	0	51	281	12	0	777
15:15	30	17	40	0	8	310	40	0	17	6	11	0	31	296	10	0	816
15:30	31	14	46	0	7	341	32	0	13	10	15	0	35	251	9	0	804
15:45	19	10	34	0	7	310	23	0	14	7	21	0	36	267	11	0	759
Total	99	50	156	0	31	1235	144	0	60	33	58	0	153	1095	42	0	3156
16:00	23	11	43	0	6	322	30	0	18	21	12	0	42	249	10	0	787
16:15	14	12	47	0	14	366	35	0	16	17	6	0	31	252	14	0	824
16:30	15	13	39	0	13	370	43	0	19	22	14	0	56	271	11	0	886
16:45	10	12	41	0	11	328	52	0	13	25	9	0	36	259	11	0	807
Total	62	48	170	0	44	1386	160	0	66	85	41	0	165	1031	46	0	3304
17:00	10	8	61	0	15	393	29	0	13	18	10	0	64	261	15	0	897
17:15	18	16	45	0	12	400	25	0	14	29	15	0	47	262	22	0	905
17:30	14	10	43	0	10	410	26	0	21	16	14	0	42	234	12	0	852
17:45	18	21	54	0	8	329	24	0	19	20	15	0	35	226	38	0	807
Total	60	55	203	0	45	1532	104	0	67	83	54	0	188	983	87	0	3461
Grand Total	661	433	1024	1	355	7408	712	3	504	396	347	0	1147	8799	687	1	22478
Apprch %	31.2	20.4	48.3	0	4.2	87.4	8.4	0	40.4	31.8	27.8	0	10.8	82.7	6.5	0	
Total %	2.9	1.9	4.6	0	1.6	33	3.2	0	2.2	1.8	1.5	0	5.1	39.1	3.1	0	



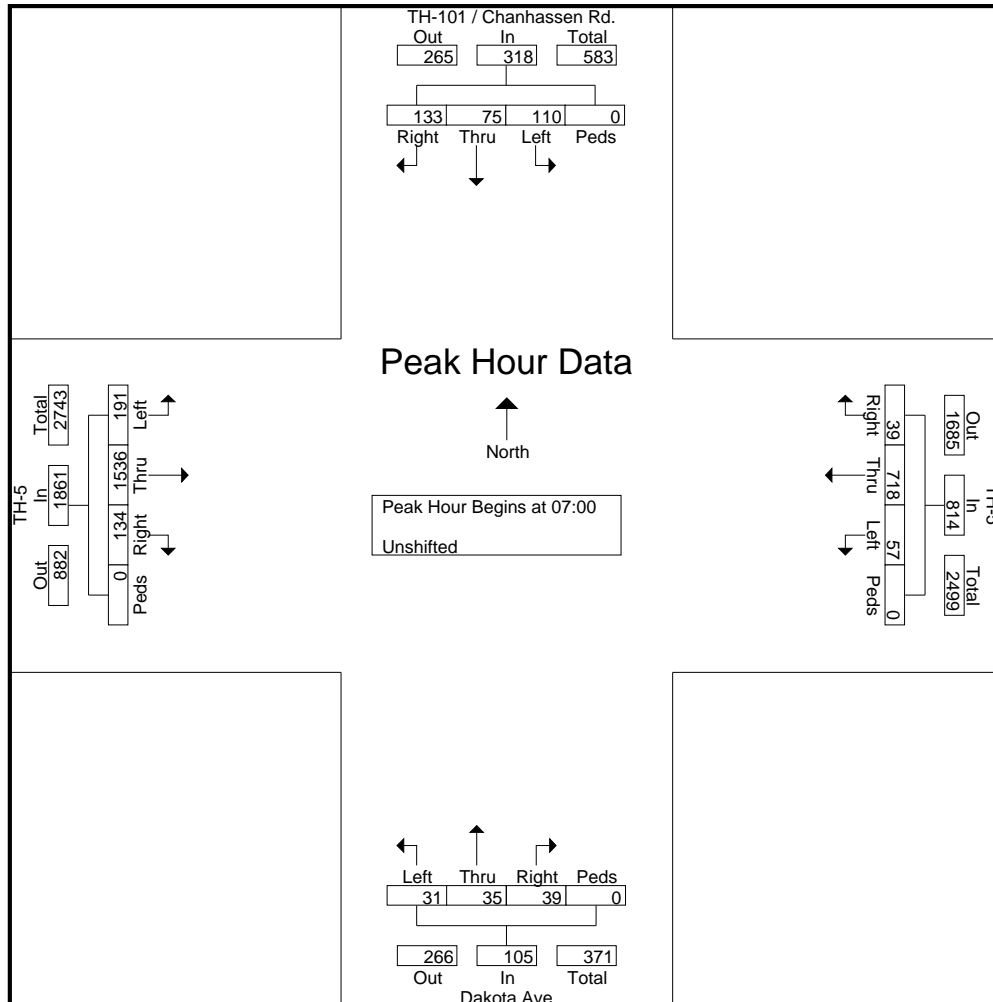
# MINNESOTA DEPT OF TRANSPORTATION

## TRAFFIC DATA COLLECTION - METRO

TH-5 at TH-101 /Chanhassen Rd /Dakota Rd  
 Ref.Pt.: 046.132  
 Data by: Westwood Professional Services  
 TURN MOVEMENT COUNT

File Name : TH-5 at TH-101 Dakota Ave 2008  
 Site Code : 12052518  
 Start Date : 9/18/2008  
 Page No : 2

Start Time	TH-101 / Chanhassen Rd. Southbound					TH-5 Westbound					Dakota Ave. Northbound					TH-5 Eastbound					Int. Total
	Left	Thru	Right	Peds	App. Total	Left	Thru	Right	Peds	App. Total	Left	Thru	Right	Peds	App. Total	Left	Thru	Right	Peds	App. Total	
Peak Hour Analysis From 06:00 to 08:45 - Peak 1 of 1																					
Peak Hour for Entire Intersection Begins at 07:00																					
07:00	27	17	35	0	79	17	155	13	0	185	7	6	9	0	22	27	354	23	0	404	690
07:15	28	16	25	0	69	10	170	11	0	191	10	11	9	0	30	50	383	28	0	461	751
07:30	<b>31</b>	<b>23</b>	31	0	<b>85</b>	12	<b>210</b>	8	0	<b>230</b>	1	8	8	0	17	<b>70</b>	<b>407</b>	33	0	<b>510</b>	<b>842</b>
07:45	24	19	<b>42</b>	0	85	<b>18</b>	183	7	0	208	<b>13</b>	10	<b>13</b>	0	<b>36</b>	44	392	<b>50</b>	0	486	815
Total Volume	110	75	133	0	318	57	718	39	0	814	31	35	39	0	105	191	1536	134	0	1861	3098
% App. Total	34.6	23.6	41.8	0		7	88.2	4.8	0		29.5	33.3	37.1	0		10.3	82.5	7.2	0		
PHF	.887	.815	.792	.000	.935	.792	.855	.750	.000	.885	.596	.795	.750	.000	.729	.682	.943	.670	.000	.912	.920





# MINNESOTA DEPT OF TRANSPORTATION

## TRAFFIC DATA COLLECTION - METRO

TH-5 at TH-101 /Chanhassen Rd /Dakota Rd  
 Ref.Pt.: 046.132  
 Data by: Westwood Professional Services  
 TURN MOVEMENT COUNT

File Name : TH-5 at TH-101 Dakota Ave 2008  
 Site Code : 12052518  
 Start Date : 9/18/2008  
 Page No : 3

Start Time	TH-101 / Chanhassen Rd. Southbound					TH-5 Westbound					Dakota Ave. Northbound					TH-5 Eastbound					Int. Total
	Left	Thru	Right	Peds	App. Total	Left	Thru	Right	Peds	App. Total	Left	Thru	Right	Peds	App. Total	Left	Thru	Right	Peds	App. Total	
16:30	15	13	39	0	67	13	370	43	0	426	19	22	14	0	55	56	271	11	0	338	886
16:45	10	12	41	0	63	11	328	52	0	391	13	25	9	0	47	36	259	11	0	306	807
17:00	10	8	61	0	79	15	393	29	0	437	13	18	10	0	41	64	261	15	0	340	897
17:15	18	16	45	0	79	12	400	25	0	437	14	29	15	0	58	47	262	22	0	331	905
Total Volume	53	49	186	0	288	51	1491	149	0	1691	59	94	48	0	201	203	1053	59	0	1315	3495
% App. Total	18.4	17	64.6	0		3	88.2	8.8	0		29.4	46.8	23.9	0		15.4	80.1	4.5	0		
PHF	.736	.766	.762	.000	.911	.850	.932	.716	.000	.967	.776	.810	.800	.000	.866	.793	.971	.670	.000	.967	.965

Peak Hour Analysis From 15:00 to 17:45 - Peak 1 of 1

Peak Hour for Entire Intersection Begins at 16:30

