



MINNESOTA DEPT OF TRANSPORTATION

TRAFFIC DATA COLLECTION - METRO

TH-5 at Audubon Rd. CHANHASSEN
 Ref.Pt.: 044.199
 Data by: Westwood Professional Services
 TURN MOVEMENT COUNT

File Name : TH-5 at Audubon Rd 2008
 Site Code : 08052725
 Start Date : 9/25/2008
 Page No : 1

Groups Printed- Unshifted

Start Time	Audubon Rd. Southbound				TH-5 Westbound				Audubon Rd. Northbound				TH-5 Eastbound				Int. Total
	Left	Thru	Right	Peds	Left	Thru	Right	Peds	Left	Thru	Right	Peds	Left	Thru	Right	Peds	
06:00	1	2	2	0	25	74	0	0	7	2	12	0	0	167	7	0	299
06:15	6	3	0	0	27	89	1	0	2	2	12	0	1	202	11	0	356
06:30	6	5	0	0	7	110	1	0	1	1	16	0	2	288	9	0	446
06:45	5	7	0	0	19	122	2	0	5	3	17	0	0	330	23	0	533
Total	18	17	2	0	78	395	4	0	15	8	57	0	3	987	50	0	1634
07:00	4	3	4	0	13	149	0	0	5	6	54	0	0	344	19	0	601
07:15	9	3	2	0	12	149	2	0	11	2	35	0	1	385	19	0	630
07:30	8	8	0	0	20	196	1	0	5	2	32	0	1	419	20	0	712
07:45	9	12	0	0	30	214	5	0	14	4	15	0	5	423	38	0	769
Total	30	26	6	0	75	708	8	0	35	14	136	0	7	1571	96	0	2712
08:00	5	10	1	0	17	176	2	0	9	6	31	0	2	365	18	0	642
08:15	4	8	0	0	21	192	0	0	14	4	16	0	0	299	28	0	586
08:30	2	6	1	0	29	159	1	0	18	4	10	0	0	261	11	0	502
08:45	9	9	0	0	23	198	2	0	15	3	13	0	0	227	12	0	511
Total	20	33	2	0	90	725	5	0	56	17	70	0	2	1152	69	0	2241
*** BREAK ***																	
11:00	1	3	0	0	23	146	5	0	14	2	34	0	1	218	7	0	454
11:15	1	10	0	0	31	166	3	0	11	2	17	0	2	224	8	0	475
11:30	4	1	1	0	16	171	1	0	17	7	38	0	0	237	12	0	505
11:45	2	7	3	0	16	204	3	0	14	7	42	0	1	213	14	0	526
Total	8	21	4	0	86	687	12	0	56	18	131	0	4	892	41	0	1960
12:00	1	6	2	0	22	192	2	0	13	6	29	0	2	209	9	0	493
12:15	3	18	2	0	30	207	3	0	20	7	17	0	2	226	12	0	547
12:30	3	13	3	0	24	205	2	0	12	5	39	0	0	232	11	0	549
12:45	3	14	0	0	33	233	5	0	13	2	15	0	0	206	9	0	533
Total	10	51	7	0	109	837	12	0	58	20	100	0	4	873	41	0	2122
*** BREAK ***																	
15:00	1	7	1	0	17	279	6	1	26	5	61	0	0	234	11	0	649
15:15	2	4	1	0	10	277	4	0	17	4	25	0	2	231	12	0	589
15:30	4	5	1	0	21	283	3	0	31	3	33	0	1	241	9	0	635
15:45	4	7	2	0	8	333	3	0	17	4	25	0	0	204	4	0	611
Total	11	23	5	0	56	1172	16	1	91	16	144	0	3	910	36	0	2484
16:00	4	7	0	0	15	300	4	0	32	4	21	0	1	247	11	0	646
16:15	4	6	1	0	10	326	2	0	27	4	17	0	0	187	5	0	589
16:30	1	2	1	0	12	337	13	0	28	8	24	0	0	289	11	0	726
16:45	4	6	3	0	13	342	5	0	22	8	27	0	0	262	9	0	701
Total	13	21	5	0	50	1305	24	0	109	24	89	0	1	985	36	0	2662
17:00	4	3	1	0	30	318	3	0	26	10	33	0	4	293	6	0	731
17:15	1	6	5	0	17	377	8	0	31	8	20	0	6	267	5	0	751
17:30	3	4	3	0	35	364	10	0	26	8	19	0	10	259	9	0	750
17:45	1	7	0	0	18	315	18	0	24	10	24	0	6	219	5	0	647
Total	9	20	9	0	100	1374	39	0	107	36	96	0	26	1038	25	0	2879
Grand Total	119	212	40	0	644	7203	120	1	527	153	823	0	50	8408	394	0	18694
Apprch %	32.1	57.1	10.8	0	8.1	90.4	1.5	0	35.1	10.2	54.8	0	0.6	95	4.5	0	
Total %	0.6	1.1	0.2	0	3.4	38.5	0.6	0	2.8	0.8	4.4	0	0.3	45	2.1	0	



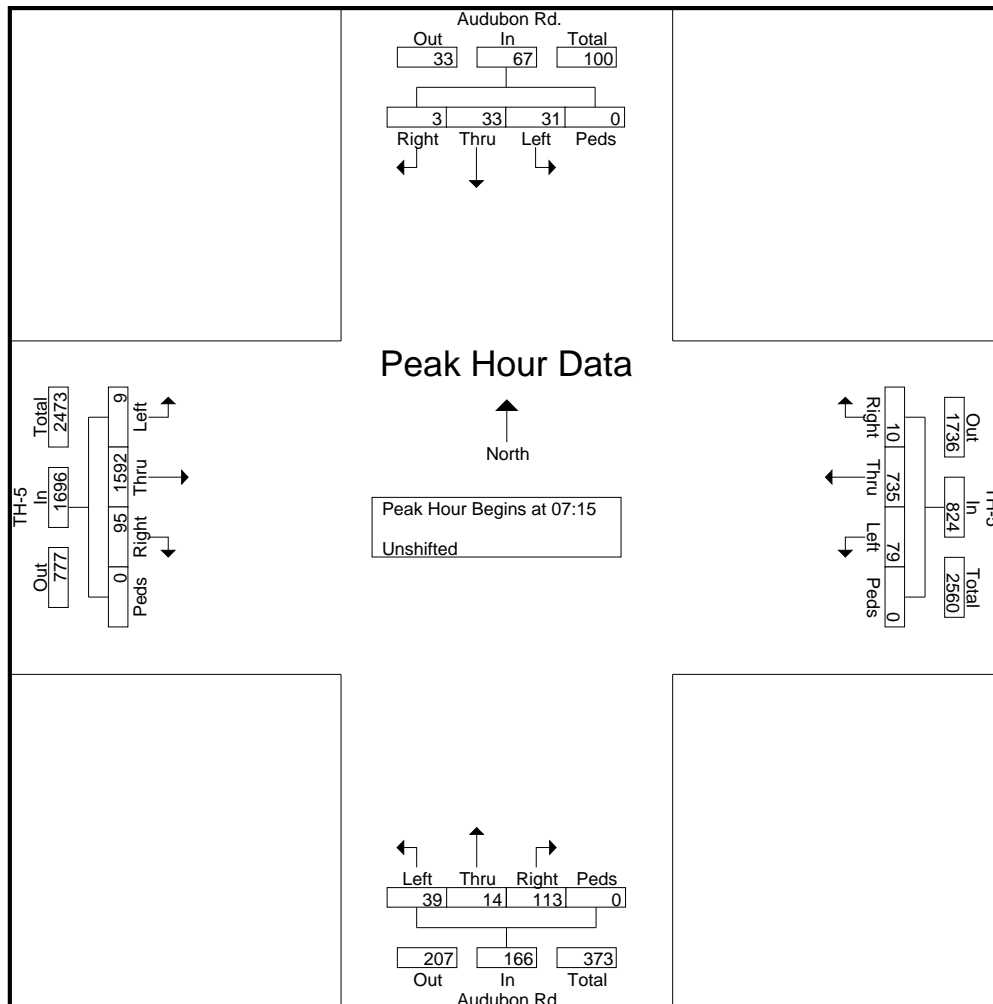
MINNESOTA DEPT OF TRANSPORTATION

TRAFFIC DATA COLLECTION - METRO

TH-5 at Audubon Rd. CHANHASSEN
 Ref.Pt.: 044.199
 Data by: Westwood Professional Services
 TURN MOVEMENT COUNT

File Name : TH-5 at Audubon Rd 2008
 Site Code : 08052725
 Start Date : 9/25/2008
 Page No : 2

Start Time	Audubon Rd. Southbound					TH-5 Westbound					Audubon Rd. Northbound					TH-5 Eastbound					Int. Total
	Left	Thru	Right	Peds	App. Total	Left	Thru	Right	Peds	App. Total	Left	Thru	Right	Peds	App. Total	Left	Thru	Right	Peds	App. Total	
Peak Hour Analysis From 06:00 to 08:45 - Peak 1 of 1																					
Peak Hour for Entire Intersection Begins at 07:15																					
07:15	9	3	2	0	14	12	149	2	0	163	11	2	35	0	48	1	385	19	0	405	630
07:30	8	8	0	0	16	20	196	1	0	217	5	2	32	0	39	1	419	20	0	440	712
07:45	9	12	0	0	21	30	214	5	0	249	14	4	15	0	33	5	423	38	0	466	769
08:00	5	10	1	0	16	17	176	2	0	195	9	6	31	0	46	2	365	18	0	385	642
Total Volume	31	33	3	0	67	79	735	10	0	824	39	14	113	0	166	9	1592	95	0	1696	2753
% App. Total	46.3	49.3	4.5	0		9.6	89.2	1.2	0		23.5	8.4	68.1	0		0.5	93.9	5.6	0		
PHF	.861	.688	.375	.000	.798	.658	.859	.500	.000	.827	.696	.583	.807	.000	.865	.450	.941	.625	.000	.910	.895





MINNESOTA DEPT OF TRANSPORTATION

TRAFFIC DATA COLLECTION - METRO

TH-5 at Audubon Rd. CHANHASSEN
 Ref.Pt.: 044.199
 Data by: Westwood Professional Services
 TURN MOVEMENT COUNT

File Name : TH-5 at Audubon Rd 2008
 Site Code : 08052725
 Start Date : 9/25/2008
 Page No : 3

Start Time	Audubon Rd. Southbound					TH-5 Westbound					Audubon Rd. Northbound					TH-5 Eastbound					Int. Total
	Left	Thru	Right	Peds	App. Total	Left	Thru	Right	Peds	App. Total	Left	Thru	Right	Peds	App. Total	Left	Thru	Right	Peds	App. Total	

Peak Hour Analysis From 15:00 to 17:45 - Peak 1 of 1

Peak Hour for Entire Intersection Begins at 16:45

16:45	4	6	3	0	13	13	342	5	0	360	22	8	27	0	57	0	262	9	0	271	701
17:00	4	3	1	0	8	30	318	3	0	351	26	10	33	0	69	4	293	6	0	303	731
17:15	1	6	5	0	12	17	377	8	0	402	31	8	20	0	59	6	267	5	0	278	751
17:30	3	4	3	0	10	35	364	10	0	409	26	8	19	0	53	10	259	9	0	278	750
Total Volume	12	19	12	0	43	95	1401	26	0	1522	105	34	99	0	238	20	1081	29	0	1130	2933
% App. Total	27.9	44.2	27.9	0		6.2	92	1.7	0		44.1	14.3	41.6	0		1.8	95.7	2.6	0		
PHF	.750	.792	.600	.000	.827	.679	.929	.650	.000	.930	.847	.850	.750	.000	.862	.500	.922	.806	.000	.932	.976

