



MINNESOTA DEPT OF TRANSPORTATION

TRAFFIC DATA COLLECTION - METRO

TH-5 at Rolling Acres Rd / Bavaria Rd.
 Ref.Pt.: 040.403
 Data by: Westwood Professional Services
 TURN MOVEMENT COUNT

File Name : TH-5 at Rolling Acres Rd 2008
 Site Code : 02044109
 Start Date : 10/9/2008
 Page No : 1

Groups Printed- Unshifted

Start Time	Rolling Acres Rd. Southbound				TH-5 Westbound				Bavaria Rd. Northbound				TH-5 Eastbound				Int. Total
	Left	Thru	Right	Peds	Left	Thru	Right	Peds	Left	Thru	Right	Peds	Left	Thru	Right	Peds	
06:00	53	6	1	0	3	12	5	0	0	7	15	0	2	67	4	0	175
06:15	94	1	0	0	5	33	9	0	1	1	23	0	3	119	1	0	290
06:30	89	11	2	0	6	36	13	0	1	9	29	0	1	142	4	0	343
06:45	105	7	5	0	20	54	16	0	0	17	60	0	11	149	0	0	444
Total	341	25	8	0	34	135	43	0	2	34	127	0	17	477	9	0	1252
07:00	113	30	8	0	36	39	15	0	2	18	64	0	10	113	0	0	448
07:15	90	31	3	0	44	73	13	0	0	21	91	0	15	152	0	0	533
07:30	101	15	6	0	49	81	24	0	2	25	73	0	15	147	1	0	539
07:45	103	13	9	0	53	88	19	0	2	17	73	0	6	148	3	0	534
Total	407	89	26	0	182	281	71	0	6	81	301	0	46	560	4	0	2054
08:00	95	20	7	0	49	82	17	0	2	16	55	0	5	139	10	0	497
08:15	89	15	5	0	18	78	15	0	2	14	46	0	13	121	2	0	418
08:30	82	11	11	0	8	74	15	0	2	20	34	0	7	113	2	0	379
08:45	85	15	10	0	15	77	19	0	3	20	42	0	13	101	9	0	409
Total	351	61	33	0	90	311	66	0	9	70	177	0	38	474	23	0	1703
*** BREAK ***																	
11:00	38	8	14	0	18	67	22	0	2	12	26	0	11	94	2	0	314
11:15	30	4	10	0	17	74	26	0	1	14	20	0	11	75	1	0	283
11:30	29	9	8	0	18	87	25	0	1	10	24	0	10	88	3	0	312
11:45	32	12	11	0	24	91	29	0	3	9	21	0	8	108	3	0	351
Total	129	33	43	0	77	319	102	0	7	45	91	0	40	365	9	0	1260
12:00	35	7	15	0	22	91	41	0	1	7	20	0	5	94	2	0	340
12:15	20	8	9	0	16	117	16	0	4	8	28	0	8	97	0	0	331
12:30	31	9	12	0	19	87	34	0	3	10	24	0	9	89	6	0	333
12:45	46	13	12	0	22	90	34	0	4	14	17	0	9	89	2	0	352
Total	132	37	48	0	79	385	125	0	12	39	89	0	31	369	10	0	1356
*** BREAK ***																	
15:00	30	27	17	0	41	157	85	0	7	15	33	0	7	94	3	0	516
15:15	23	23	18	0	39	136	75	0	10	24	36	0	8	112	3	0	507
15:30	25	8	14	0	29	156	77	0	4	13	17	0	9	102	6	0	460
15:45	39	21	15	0	25	119	75	0	5	15	27	0	5	107	3	0	456
Total	117	79	64	0	134	568	312	0	26	67	113	0	29	415	15	0	1939
16:00	28	18	12	0	31	157	69	0	7	8	29	0	10	88	4	0	461
16:15	30	25	14	0	31	167	111	0	5	18	23	0	10	79	1	0	514
16:30	41	25	18	0	46	156	87	0	2	8	24	0	15	97	4	0	523
16:45	43	22	15	0	50	148	85	0	9	18	39	0	5	106	5	0	545
Total	142	90	59	0	158	628	352	0	23	52	115	0	40	370	14	0	2043
17:00	30	20	33	0	29	177	94	0	7	13	31	0	5	124	3	0	566
17:15	28	30	15	0	72	157	90	0	9	21	62	0	8	99	4	0	595
17:30	28	16	16	0	50	156	76	0	3	18	32	0	11	87	5	0	498
17:45	45	22	14	0	49	127	85	0	7	11	46	0	9	80	2	0	497
Total	131	88	78	0	200	617	345	0	26	63	171	0	33	390	14	0	2156
Grand Total	1750	502	359	0	954	3244	1416	0	111	451	1184	0	274	3420	98	0	13763
Apprch %	67	19.2	13.7	0	17	57.8	25.2	0	6.4	25.8	67.8	0	7.2	90.2	2.6	0	
Total %	12.7	3.6	2.6	0	6.9	23.6	10.3	0	0.8	3.3	8.6	0	2	24.8	0.7	0	



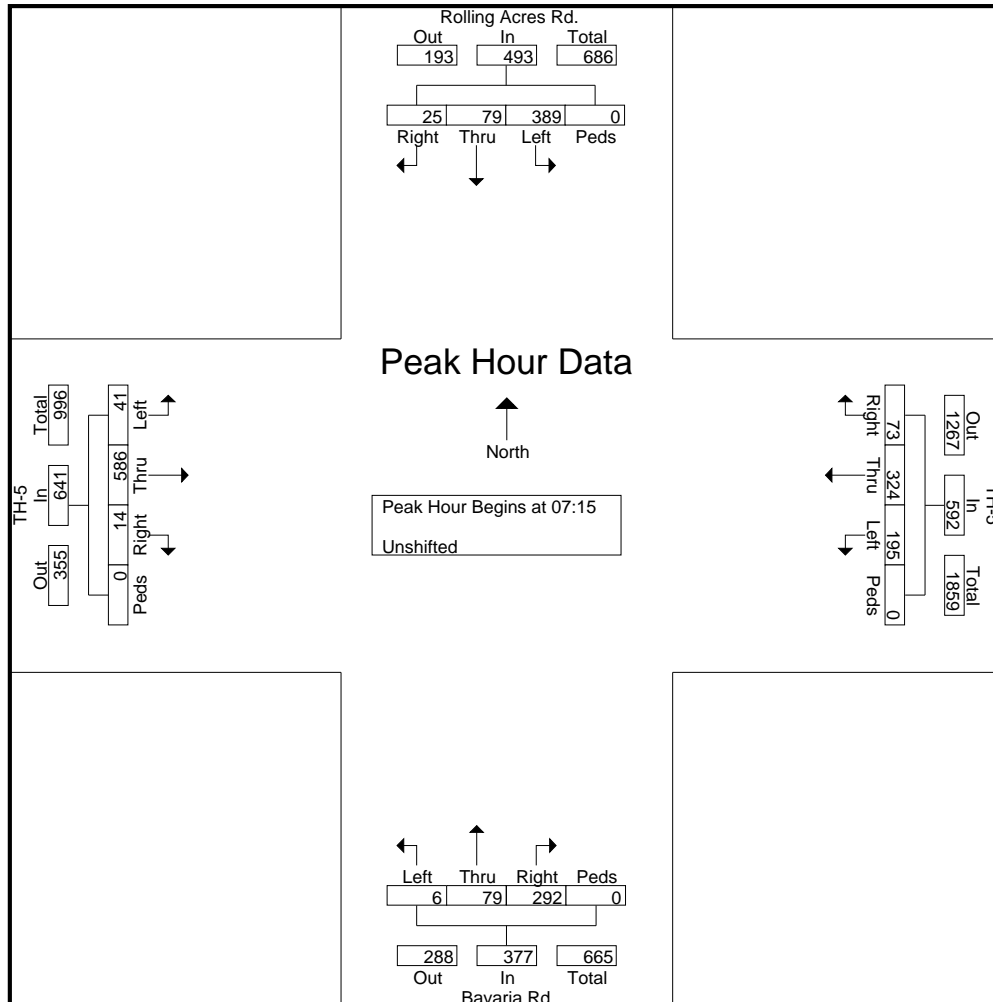
MINNESOTA DEPT OF TRANSPORTATION

TRAFFIC DATA COLLECTION - METRO

TH-5 at Rolling Acres Rd / Bavaria Rd.
 Ref.Pt.: 040.403
 Data by: Westwood Professional Services
 TURN MOVEMENT COUNT

File Name : TH-5 at Rolling Acres Rd 2008
 Site Code : 02044109
 Start Date : 10/9/2008
 Page No : 2

Start Time	Rolling Acres Rd. Southbound					TH-5 Westbound					Bavaria Rd. Northbound					TH-5 Eastbound					Int. Total
	Left	Thru	Right	Peds	App. Total	Left	Thru	Right	Peds	App. Total	Left	Thru	Right	Peds	App. Total	Left	Thru	Right	Peds	App. Total	
Peak Hour Analysis From 06:00 to 08:45 - Peak 1 of 1																					
Peak Hour for Entire Intersection Begins at 07:15																					
07:15	90	31	3	0	124	44	73	13	0	130	0	21	91	0	112	15	152	0	0	167	533
07:30	101	15	6	0	122	49	81	24	0	154	2	25	73	0	100	15	147	1	0	163	539
07:45	103	13	9	0	125	53	88	19	0	160	2	17	73	0	92	6	148	3	0	157	534
08:00	95	20	7	0	122	49	82	17	0	148	2	16	55	0	73	5	139	10	0	154	497
Total Volume	389	79	25	0	493	195	324	73	0	592	6	79	292	0	377	41	586	14	0	641	2103
% App. Total	78.9	16	5.1	0		32.9	54.7	12.3	0		1.6	21	77.5	0		6.4	91.4	2.2	0		
PHF	.944	.637	.694	.000	.986	.920	.920	.760	.000	.925	.750	.790	.802	.000	.842	.683	.964	.350	.000	.960	.975





MINNESOTA DEPT OF TRANSPORTATION

TRAFFIC DATA COLLECTION - METRO

TH-5 at Rolling Acres Rd / Bavaria Rd.
 Ref.Pt.: 040.403
 Data by: Westwood Professional Services
 TURN MOVEMENT COUNT

File Name : TH-5 at Rolling Acres Rd 2008
 Site Code : 02044109
 Start Date : 10/9/2008
 Page No : 3

Start Time	Rolling Acres Rd. Southbound					TH-5 Westbound					Bavaria Rd. Northbound					TH-5 Eastbound					Int. Total
	Left	Thru	Right	Peds	App. Total	Left	Thru	Right	Peds	App. Total	Left	Thru	Right	Peds	App. Total	Left	Thru	Right	Peds	App. Total	

Peak Hour Analysis From 15:00 to 17:45 - Peak 1 of 1

Peak Hour for Entire Intersection Begins at 16:30

16:30	41	25	18	0	84	46	156	87	0	289	2	8	24	0	34	15	97	4	0	116	523
16:45	43	22	15	0	80	50	148	85	0	283	9	18	39	0	66	5	106	5	0	116	545
17:00	30	20	33	0	83	29	177	94	0	300	7	13	31	0	51	5	124	3	0	132	566
17:15	28	30	15	0	73	72	157	90	0	319	9	21	62	0	92	8	99	4	0	111	595
Total Volume	142	97	81	0	320	197	638	356	0	1191	27	60	156	0	243	33	426	16	0	475	2229
% App. Total	44.4	30.3	25.3	0		16.5	53.6	29.9	0		11.1	24.7	64.2	0		6.9	89.7	3.4	0		
PHF	.826	.808	.614	.000	.952	.684	.901	.947	.000	.933	.750	.714	.629	.000	.660	.550	.859	.800	.000	.900	.937

