



MINNESOTA DEPT OF TRANSPORTATION

TRAFFIC DATA COLLECTION - METRO

TH-5 at Victoria Drive.
 Ref.Pt.: 038.920
 Data by: Westwood Professional Services
 TURN MOVEMENT COUNT

File Name : th-5 at victoria dr 2008
 Site Code : 01053409
 Start Date : 10/9/2008
 Page No : 1

Groups Printed- Unshifted

Start Time	Victoria Dr. Southbound				TH-5 Westbound				Victoria Dr. Northbound				TH-5 Eastbound				Int. Total
	Left	Thru	Right	Peds	Left	Thru	Right	Peds	Left	Thru	Right	Peds	Left	Thru	Right	Peds	
06:00	0	2	0	0	1	9	0	0	6	0	4	0	1	90	4	0	117
06:15	1	1	0	0	1	40	0	0	13	0	12	0	0	107	27	0	202
06:30	1	0	1	0	2	46	0	0	12	1	16	0	1	128	24	0	232
06:45	0	0	2	0	9	36	0	0	25	3	22	0	1	135	36	0	269
Total	2	3	3	0	13	131	0	0	56	4	54	0	3	460	91	0	820
07:00	2	0	2	0	10	51	0	0	32	1	30	0	1	136	37	0	302
07:15	4	4	0	0	11	63	1	0	22	3	27	0	5	131	44	0	315
07:30	2	2	0	0	13	68	0	0	36	5	31	0	1	143	31	0	332
07:45	1	7	1	0	18	78	0	0	34	7	32	0	2	153	36	0	369
Total	9	13	3	0	52	260	1	0	124	16	120	0	9	563	148	0	1318
08:00	2	0	0	0	11	67	0	0	18	8	23	0	2	93	19	0	243
08:15	2	3	2	0	13	64	1	0	28	5	21	0	1	109	31	0	280
08:30	5	2	5	0	15	67	2	0	21	9	27	0	2	112	22	0	289
08:45	4	7	4	0	25	66	4	0	25	9	24	0	2	96	25	0	291
Total	13	12	11	0	64	264	7	0	92	31	95	0	7	410	97	0	1103
*** BREAK ***																	
11:00	6	12	5	0	19	72	5	0	25	6	19	0	2	84	16	0	271
11:15	6	7	4	0	25	64	7	0	19	10	24	0	2	54	15	0	237
11:30	2	3	1	0	18	56	5	0	13	9	15	0	2	68	18	0	210
11:45	5	15	4	0	18	71	7	0	13	6	20	0	2	71	19	0	251
Total	19	37	14	0	80	263	24	0	70	31	78	0	8	277	68	0	969
12:00	11	9	7	0	16	82	10	0	15	5	17	0	5	90	13	0	280
12:15	5	13	2	0	22	90	6	0	11	6	17	0	5	69	20	0	266
12:30	6	8	4	0	24	70	2	0	11	6	26	0	5	66	23	0	251
12:45	7	5	4	0	28	84	5	0	14	12	12	0	5	63	20	0	259
Total	29	35	17	0	90	326	23	0	51	29	72	0	20	288	76	0	1056
*** BREAK ***																	
15:00	2	5	1	0	29	126	4	0	19	12	23	0	3	81	26	0	331
15:15	7	11	5	0	30	135	7	0	50	8	23	0	1	93	30	0	400
15:30	6	10	6	0	20	125	5	0	20	9	24	0	2	82	24	0	333
15:45	5	20	5	0	26	142	2	0	26	9	25	0	3	85	27	0	375
Total	20	46	17	0	105	528	18	0	115	38	95	0	9	341	107	0	1439
16:00	10	8	9	0	23	118	4	0	49	11	24	0	3	76	21	0	356
16:15	4	12	8	0	24	159	6	0	23	13	25	0	1	69	29	0	373
16:30	3	18	4	0	28	134	3	0	28	5	34	0	2	92	23	0	374
16:45	9	9	7	0	32	136	11	0	37	10	29	0	4	76	31	0	391
Total	26	47	28	0	107	547	24	0	137	39	112	0	10	313	104	0	1494
17:00	15	10	9	0	40	146	2	0	43	9	27	0	1	100	33	0	435
17:15	7	6	7	0	40	137	6	0	38	9	32	0	2	70	43	0	397
17:30	5	7	2	0	32	136	8	0	36	5	24	0	6	79	23	0	363
17:45	4	8	2	0	34	101	9	0	42	11	21	0	3	59	30	0	324
Total	31	31	20	0	146	520	25	0	159	34	104	0	12	308	129	0	1519
Grand Total	149	224	113	0	657	2839	122	0	804	222	730	0	78	2960	820	0	9718
Apprch %	30.7	46.1	23.3	0	18.2	78.5	3.4	0	45.8	12.6	41.6	0	2	76.7	21.3	0	
Total %	1.5	2.3	1.2	0	6.8	29.2	1.3	0	8.3	2.3	7.5	0	0.8	30.5	8.4	0	



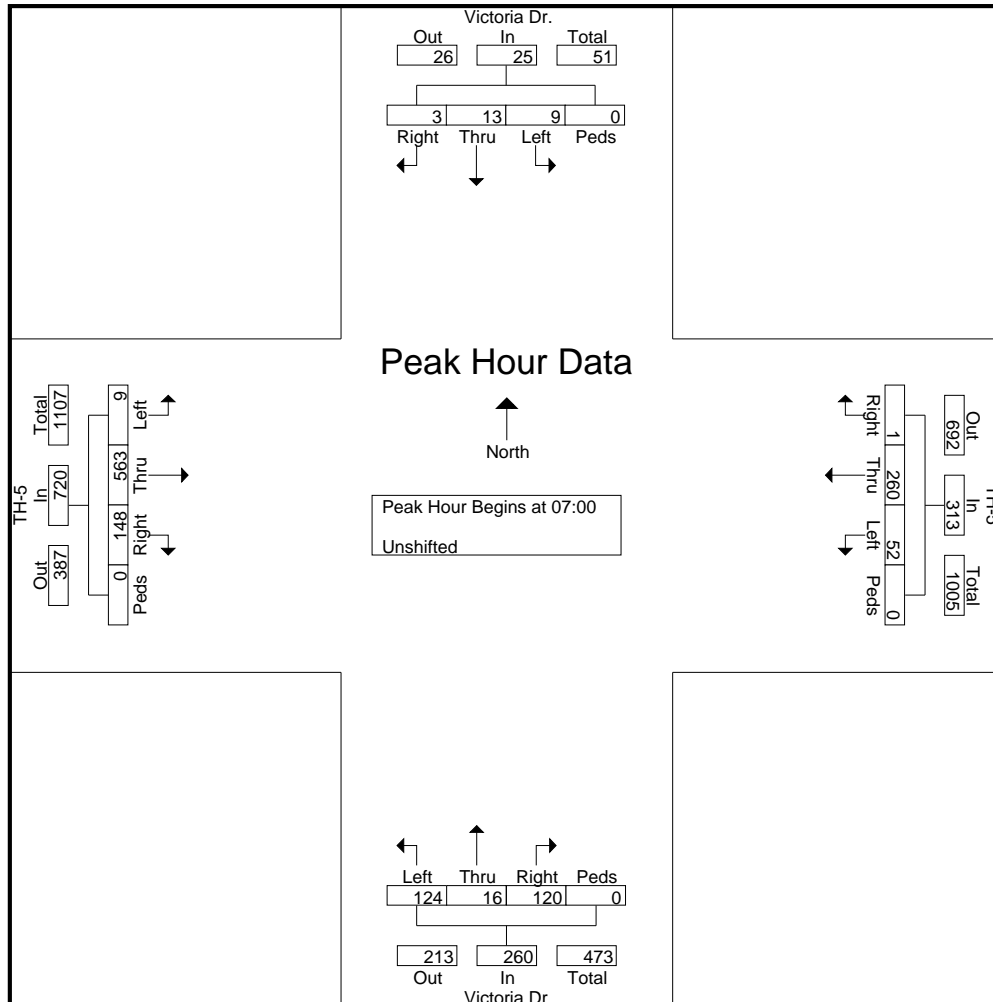
MINNESOTA DEPT OF TRANSPORTATION

TRAFFIC DATA COLLECTION - METRO

TH-5 at Victoria Drive.
 Ref.Pt.: 038.920
 Data by: Westwood Professional Services
 TURN MOVEMENT COUNT

File Name : th-5 at victoria dr 2008
 Site Code : 01053409
 Start Date : 10/9/2008
 Page No : 2

Start Time	Victoria Dr. Southbound					TH-5 Westbound					Victoria Dr. Northbound					TH-5 Eastbound					Int. Total
	Left	Thru	Right	Peds	App. Total	Left	Thru	Right	Peds	App. Total	Left	Thru	Right	Peds	App. Total	Left	Thru	Right	Peds	App. Total	
Peak Hour Analysis From 06:00 to 08:45 - Peak 1 of 1																					
Peak Hour for Entire Intersection Begins at 07:00																					
07:00	2	0	2	0	4	10	51	0	0	61	32	1	30	0	63	1	136	37	0	174	302
07:15	4	4	0	0	8	11	63	1	0	75	22	3	27	0	52	5	131	44	0	180	315
07:30	2	2	0	0	4	13	68	0	0	81	36	5	31	0	72	1	143	31	0	175	332
07:45	1	7	1	0	9	18	78	0	0	96	34	7	32	0	73	2	153	36	0	191	369
Total Volume	9	13	3	0	25	52	260	1	0	313	124	16	120	0	260	9	563	148	0	720	1318
% App. Total	36	52	12	0		16.6	83.1	0.3	0		47.7	6.2	46.2	0		1.2	78.2	20.6	0		
PHF	.563	.464	.375	.000	.694	.722	.833	.250	.000	.815	.861	.571	.938	.000	.890	.450	.920	.841	.000	.942	.893





MINNESOTA DEPT OF TRANSPORTATION

TRAFFIC DATA COLLECTION - METRO

TH-5 at Victoria Drive.
 Ref.Pt.: 038.920
 Data by: Westwood Professional Services
 TURN MOVEMENT COUNT

File Name : th-5 at victoria dr 2008
 Site Code : 01053409
 Start Date : 10/9/2008
 Page No : 3

Start Time	Victoria Dr. Southbound					TH-5 Westbound					Victoria Dr. Northbound					TH-5 Eastbound					Int. Total
	Left	Thru	Right	Peds	App. Total	Left	Thru	Right	Peds	App. Total	Left	Thru	Right	Peds	App. Total	Left	Thru	Right	Peds	App. Total	

Peak Hour Analysis From 15:00 to 17:45 - Peak 1 of 1
 Peak Hour for Entire Intersection Begins at 16:30

16:30	3	18	4	0	25	28	134	3	0	165	28	5	34	0	67	2	92	23	0	117	374
16:45	9	9	7	0	25	32	136	11	0	179	37	10	29	0	76	4	76	31	0	111	391
17:00	15	10	9	0	34	40	146	2	0	188	43	9	27	0	79	1	100	33	0	134	435
17:15	7	6	7	0	20	40	137	6	0	183	38	9	32	0	79	2	70	43	0	115	397
Total Volume	34	43	27	0	104	140	553	22	0	715	146	33	122	0	301	9	338	130	0	477	1597
% App. Total	32.7	41.3	26	0		19.6	77.3	3.1	0		48.5	11	40.5	0		1.9	70.9	27.3	0		
PHF	.567	.597	.750	.000	.765	.875	.947	.500	.000	.951	.849	.825	.897	.000	.953	.563	.845	.756	.000	.890	.918

