

MINNESOTA DEPARTMENT OF TRANSPORTATION
TRAFFIC DATA COLLECTION - Metro

TH-47 at Ambassador Blvd
 Ref.PT.035+00.578
 Video by KM
 TURN MOVEMENT COUNT

File Name : Not Named 3
 Site Code :
 Start Date : 12/14/2016
 Page No : 1

Groups Printed- Cars +

Start Time	TH-47 Southbound				Ambassador Blvd Westbound				TH-47 Northbound				Ambassador Blvd Eastbound				Int. Total
	Left	Thru	Right	Peds	Left	Thru	Right	Peds	Left	Thru	Right	Peds	Left	Thru	Right	Peds	
06:00	14	88	1	0	0	1	4	0	2	7	0	0	1	7	7	0	132
06:15	16	102	1	0	0	2	3	0	1	14	0	0	1	8	8	0	156
06:30	14	80	2	0	0	4	9	0	4	9	0	0	3	9	11	0	145
06:45	12	92	3	0	0	5	9	0	7	16	1	0	0	9	12	0	166
Total	56	362	7	0	0	12	25	0	14	46	1	0	5	33	38	0	599
07:00	23	89	1	0	0	9	3	0	8	13	0	0	2	11	13	0	172
07:15	12	90	2	0	0	5	10	0	7	14	0	0	2	14	17	0	173
07:30	21	84	4	0	0	7	6	0	14	38	0	0	4	19	16	0	213
07:45	9	70	2	0	0	10	9	0	11	35	0	0	0	14	7	0	167
Total	65	333	9	0	0	31	28	0	40	100	0	0	8	58	53	0	725
08:00	8	63	0	0	2	3	7	0	6	22	2	0	1	7	9	0	130
08:15	14	61	1	0	0	4	4	0	3	20	0	0	0	7	7	0	121
08:30	11	42	0	0	0	7	11	0	1	31	0	0	1	1	12	0	117
08:45	15	61	2	0	0	5	7	0	4	18	1	0	1	12	13	0	139
Total	48	227	3	0	2	19	29	0	14	91	3	0	3	27	41	0	507
09:00	8	59	0	0	1	5	3	0	6	26	0	0	1	4	6	0	119
09:15	6	35	0	0	1	3	10	0	9	29	0	0	0	1	8	0	102
09:30	7	44	1	0	0	6	12	0	5	24	0	0	3	7	7	0	116
09:45	7	31	0	0	1	2	8	0	10	9	0	0	1	6	6	0	81
Total	28	169	1	0	3	16	33	0	30	88	0	0	5	18	27	0	418
10:00	8	31	1	0	4	4	5	0	4	26	0	0	1	9	4	0	97
10:15	7	27	1	0	0	0	10	0	7	18	1	0	2	3	7	0	83
10:30	8	30	0	0	1	3	7	0	4	23	1	0	1	4	8	0	90
10:45	8	27	1	0	1	3	9	0	4	26	3	0	3	2	4	0	91
Total	31	115	3	0	6	10	31	0	19	93	5	0	7	18	23	0	361
11:00	5	29	1	0	1	1	9	0	4	30	1	0	0	6	7	0	94
11:15	9	27	1	0	0	5	3	0	3	20	0	0	1	3	5	0	77
11:30	9	33	1	0	0	3	6	0	5	16	1	0	2	5	4	0	85
11:45	7	24	6	0	0	1	5	0	4	35	0	0	0	10	2	0	94
Total	30	113	9	0	1	10	23	0	16	101	2	0	3	24	18	0	350
12:00	4	31	1	0	2	7	8	0	3	29	0	0	0	6	8	0	99
12:15	2	30	0	0	1	4	6	0	4	28	0	0	1	13	7	0	96
12:30	11	30	0	0	1	4	8	0	8	30	1	0	2	5	5	0	105
12:45	10	22	0	0	2	5	9	0	8	26	2	0	2	5	8	0	99
Total	27	113	1	0	6	20	31	0	23	113	3	0	5	29	28	0	399
13:00	5	28	0	0	2	3	5	0	6	35	0	0	0	8	10	0	102
13:15	9	29	1	0	0	6	12	0	5	37	1	0	1	6	4	0	111
13:30	6	23	0	0	0	2	8	0	7	36	1	0	1	4	5	0	93
13:45	4	30	0	0	2	4	15	0	3	35	0	0	2	9	3	0	107
Total	24	110	1	0	4	15	40	0	21	143	2	0	4	27	22	0	413
14:00	9	43	0	0	4	6	7	0	10	42	2	0	0	5	11	0	139
14:15	4	34	1	0	4	7	12	0	9	48	0	0	1	11	6	0	137
14:30	5	27	0	0	1	9	17	0	9	44	1	0	4	4	5	0	126
14:45	7	31	1	0	2	15	13	0	6	50	0	0	3	8	9	0	145
Total	25	135	2	0	11	37	49	0	34	184	3	0	8	28	31	0	547
15:00	4	36	2	0	1	8	18	0	6	46	0	0	2	8	9	0	140
15:15	11	25	5	0	3	8	19	0	4	81	1	0	1	5	11	0	174
15:30	13	38	3	0	5	6	18	0	9	81	2	0	4	6	8	0	193
15:45	4	31	7	0	2	13	22	0	26	89	2	0	2	7	9	0	214
Total	32	130	17	0	11	35	77	0	45	297	5	0	9	26	37	0	721

MINNESOTA DEPARTMENT OF TRANSPORTATION
TRAFFIC DATA COLLECTION - Metro

TH-47 at Ambassador Blvd
 Ref.PT.035+00.578
 Video by KM
 TURN MOVEMENT COUNT

File Name : Not Named 3
 Site Code :
 Start Date : 12/14/2016
 Page No : 2

Groups Printed- Cars +

Start Time	TH-47 Southbound				Ambassador Blvd Westbound				TH-47 Northbound				Ambassador Blvd Eastbound				Int. Total
	Left	Thru	Right	Peds	Left	Thru	Right	Peds	Left	Thru	Right	Peds	Left	Thru	Right	Peds	
16:00	7	28	4	0	1	17	17	0	21	112	3	0	8	11	8	0	237
16:15	12	31	4	0	1	17	26	0	12	91	0	0	2	12	6	0	214
16:30	8	38	3	0	6	7	16	0	6	115	1	0	2	3	6	0	211
16:45	6	51	1	0	1	11	12	0	11	93	0	0	0	5	4	0	195
Total	33	148	12	0	9	52	71	0	50	411	4	0	12	31	24	0	857
17:00	17	45	0	0	1	8	16	0	13	113	0	0	4	9	3	0	229
17:15	7	25	2	0	1	10	18	0	9	90	2	0	2	9	5	0	180
17:30	10	28	1	0	3	15	22	0	15	75	3	0	4	5	8	0	189
17:45	13	27	1	0	1	14	16	0	8	80	2	0	3	11	4	0	180
Total	47	125	4	0	6	47	72	0	45	358	7	0	13	34	20	0	778
Grand Total	446	2080	69	0	59	304	509	0	351	2025	35	0	82	353	362	0	6675
Apprch %	17.2	80.2	2.7	0	6.8	34.9	58.4	0	14.6	84	1.5	0	10.3	44.3	45.4	0	
Total %	6.7	31.2	1	0	0.9	4.6	7.6	0	5.3	30.3	0.5	0	1.2	5.3	5.4	0	

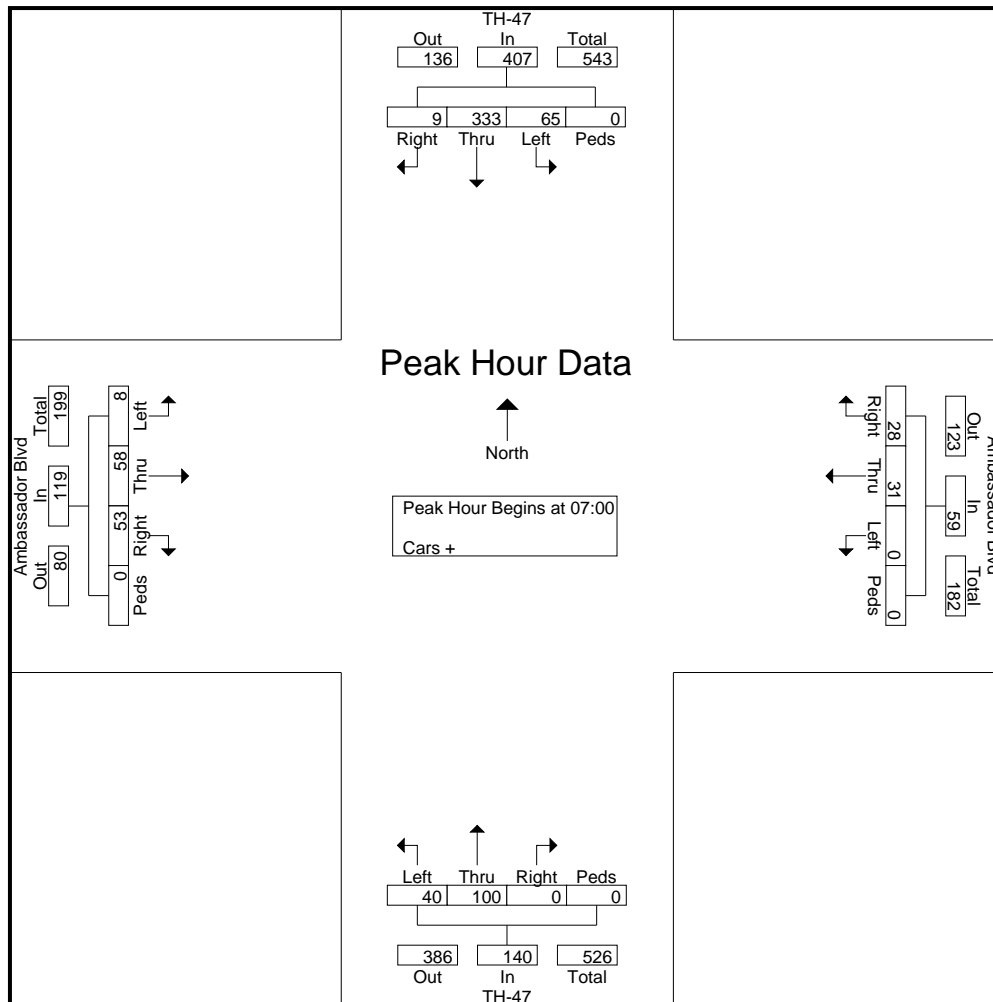
MINNESOTA DEPARTMENT OF TRANSPORTATION

TRAFFIC DATA COLLECTION - Metro

TH-47 at Ambassador Blvd
 Ref.PT.035+00.578
 Video by KM
 TURN MOVEMENT COUNT

File Name : Not Named 3
 Site Code :
 Start Date : 12/14/2016
 Page No : 3

Start Time	TH-47 Southbound					Ambassador Blvd Westbound					TH-47 Northbound					Ambassador Blvd Eastbound					Int. Total
	Left	Thru	Right	Peds	App. Total	Left	Thru	Right	Peds	App. Total	Left	Thru	Right	Peds	App. Total	Left	Thru	Right	Peds	App. Total	
Peak Hour Analysis From 06:00 to 11:45 - Peak 1 of 1																					
Peak Hour for Entire Intersection Begins at 07:00																					
07:00	23				113	0	9	3	0	12	8	13	0	0	21	2	11	13	0	26	172
07:15	12	90	2	0	104	0	5	10										17			
07:30	21	84	4	0	109	0	7	6	0	13	14	38	0	0	52	4	19	16	0	39	213
07:45	9	70	2	0	81	0	10			19	11	35	0	0	46	0	14	7	0	21	167
Total Volume	65	333	9	0	407	0	31	28	0	59	40	100	0	0	140	8	58	53	0	119	725
% App. Total	16	81.8	2.2	0		0	52.5	47.5	0		28.6	71.4	0	0		6.7	48.7	44.5	0		
PHF	.707	.925	.563	.000	.900	.000	.775	.700	.000	.776	.714	.658	.000	.000	.673	.500	.763	.779	.000	.763	.851



MINNESOTA DEPARTMENT OF TRANSPORTATION

TRAFFIC DATA COLLECTION - Metro

TH-47 at Ambassador Blvd
 Ref.PT.035+00.578
 Video by KM
 TURN MOVEMENT COUNT

File Name : Not Named 3
 Site Code :
 Start Date : 12/14/2016
 Page No : 4

Start Time	TH-47 Southbound					Ambassador Blvd Westbound					TH-47 Northbound					Ambassador Blvd Eastbound					Int. Total
	Left	Thru	Right	Peds	App. Total	Left	Thru	Right	Peds	App. Total	Left	Thru	Right	Peds	App. Total	Left	Thru	Right	Peds	App. Total	
Peak Hour Analysis From 12:00 to 17:45 - Peak 1 of 1																					
Peak Hour for Entire Intersection Begins at 15:45																					
15:45	4	31	7								26							9			
16:00	7	28	4	0	39	1	17	17	0	35	21	112	3	0	136	8	11	8	0	27	237
16:15	12							26		44	12	91	0	0	103	2	12	6	0	20	214
16:30	8	38	3	0	49	6	7	16	0	29	6	115									
Total Volume	31	128	18	0	177	10	54	81	0	145	65	407	6	0	478	14	33	29	0	76	876
% App. Total	17.5	72.3	10.2	0		6.9	37.2	55.9	0		13.6	85.1	1.3	0		18.4	43.4	38.2	0		
PHF	.646	.842	.643	.000	.903	.417	.794	.779	.000	.824	.625	.885	.500	.000	.879	.438	.688	.806	.000	.704	.924

