



MINNESOTA DEPT OF TRANSPORTATION

TRAFFIC DATA COLLECTION - METRO

Location: TH 47 @ ALPINE DR/153rd AVE 2006 File Name : TH 47 @ ALPINE DR-153rd AVE 2006
 REF. PT.:023+00.909 Site Code : 00000000
 JAMAR#T-1385/MAR Start Date : 10/13/2006
 TURN MOVEMENT COUNT Page No : 1

Groups Printed- CARS & TRUCKS

Start Time	TH 47 Southbound				153 AVE ALPINE DR Westbound				TH 47 Northbound				153 AVE ALPINE DR Eastbound				Int. Total
	Left	Thru	Right	Peds	Left	Thru	Right	Peds	Left	Thru	Right	Peds	Left	Thru	Right	Peds	
06:00	3	122	4	0	21	5	5	0	1	4	0	0	4	5	21	0	195
06:15	10	137	7	0	30	4	7	0	4	9	8	0	1	1	20	0	238
06:30	14	108	13	0	40	8	3	0	2	26	9	0	4	4	34	0	265
06:45	10	104	16	0	53	11	5	0	6	18	4	0	7	2	14	0	250
Total	37	471	40	0	144	28	20	0	13	57	21	0	16	12	89	0	948
07:00	11	114	11	0	50	11	3	0	5	23	10	0	10	11	12	0	271
07:15	11	96	16	0	33	23	3	0	4	23	11	0	3	16	11	0	250
07:30	12	77	9	0	36	12	10	0	7	35	17	0	4	13	10	0	242
07:45	11	112	17	0	40	13	4	0	1	37	17	0	4	17	19	0	292
Total	45	399	53	0	159	59	20	0	17	118	55	0	21	57	52	0	1055
08:00	9	77	7	0	34	7	8	0	6	35	10	0	3	10	20	0	226
08:15	9	59	9	0	31	2	12	0	6	33	15	0	4	15	11	0	206
08:30	5	79	13	0	30	9	8	0	3	30	11	0	2	11	7	0	208
08:45	11	60	7	0	24	13	4	0	11	43	16	0	3	11	10	0	213
Total	34	275	36	0	119	31	32	0	26	141	52	0	12	47	48	0	853
11:00	5	34	2	0	8	5	5	0	11	41	11	0	2	3	3	0	130
11:15	6	46	3	0	16	8	3	0	4	39	17	0	5	5	12	0	164
11:30	5	52	7	0	24	6	6	0	13	49	12	0	2	4	11	0	191
11:45	6	36	4	0	16	8	10	0	5	44	16	0	5	6	10	0	166
Total	22	168	16	0	64	27	24	0	33	173	56	0	14	18	36	0	651
12:00	5	58	5	0	13	6	8	0	7	44	10	0	6	2	5	0	169
12:15	5	56	6	0	9	8	6	0	11	54	23	0	7	2	8	0	195
12:30	2	53	3	0	17	5	4	0	7	48	11	0	7	4	10	0	171
12:45	9	54	4	0	16	9	5	0	4	50	33	0	3	9	12	0	208
Total	21	221	18	0	55	28	23	0	29	196	77	0	23	17	35	0	743
14:15	8	46	2	0	12	11	13	0	10	113	38	0	4	4	11	0	272
14:30	9	63	6	0	15	13	6	0	18	118	31	0	8	11	7	0	305
14:45	4	48	4	0	31	21	14	0	16	102	38	0	13	22	7	0	320
Total	21	157	12	0	58	45	33	0	44	333	107	0	25	37	25	0	897
15:00	1	55	9	0	15	11	6	0	23	121	42	0	19	11	7	0	320
15:15	7	58	3	0	18	11	21	0	21	116	58	0	8	19	9	0	349
15:30	6	60	6	0	32	18	20	0	19	123	52	0	16	20	11	0	383
15:45	5	64	5	0	24	16	11	0	16	115	35	0	11	8	5	0	315
Total	19	237	23	0	89	56	58	0	79	475	187	0	54	58	32	0	1367
16:00	10	50	13	0	24	20	24	0	19	103	58	0	10	15	10	0	356
16:15	9	57	8	0	30	17	25	0	23	112	52	0	13	12	9	2	369
16:30	6	68	4	0	14	13	22	0	19	136	61	0	6	12	10	0	371
16:45	5	46	7	0	29	12	6	0	25	106	40	0	7	11	13	0	307
Total	30	221	32	0	97	62	77	0	86	457	211	0	36	50	42	2	1403
Grand Total	229	2149	230	0	785	336	287	0	327	1950	766	0	201	296	359	2	7917
Approch %	8.8	82.4	8.8	0	55.8	23.9	20.4	0	10.7	64.1	25.2	0	23.4	34.5	41.8	0.2	
Total %	2.9	27.1	2.9	0	9.9	4.2	3.6	0	4.1	24.6	9.7	0	2.5	3.7	4.5	0	



MINNESOTA DEPT OF TRANSPORTATION

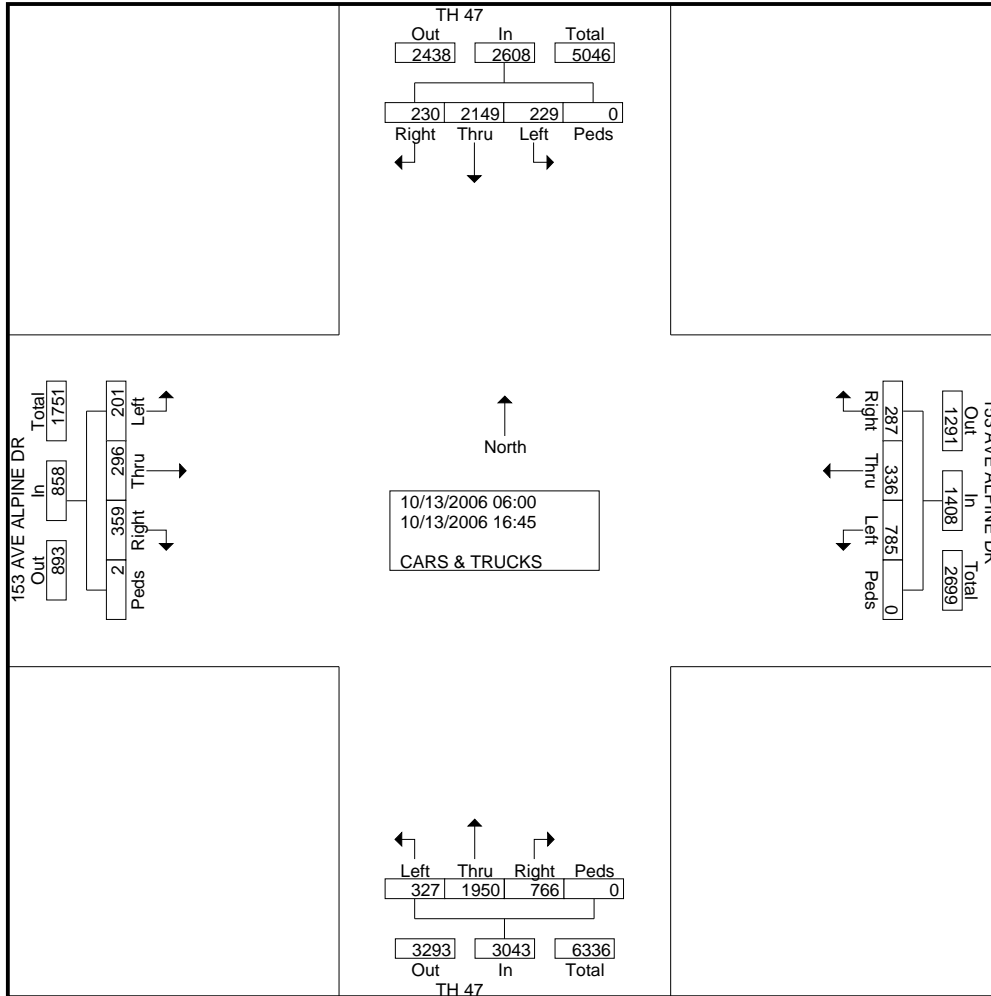
TRAFFIC DATA COLLECTION - METRO

File Name : TH 47 @ ALPINE DR-153rd AVE 2006

Site Code : 00000000

Start Date : 10/13/2006

Page No : 2



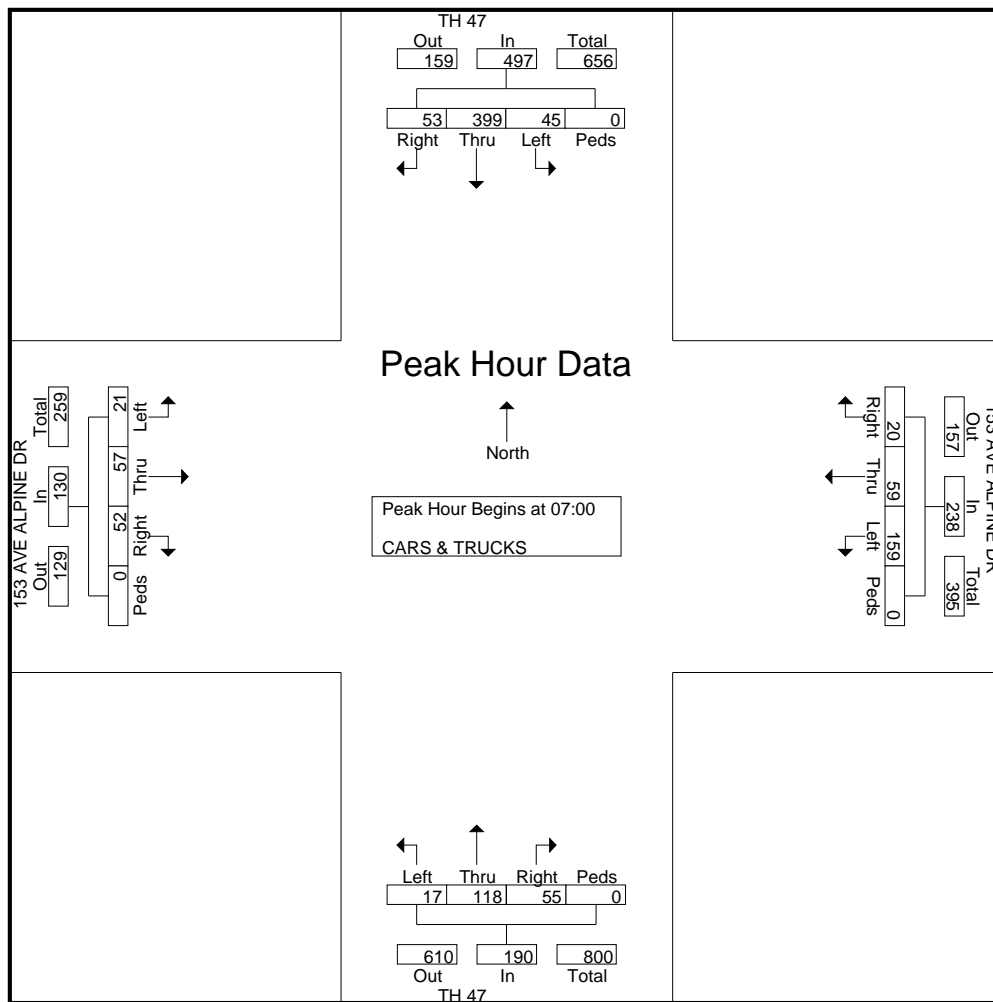


MINNESOTA DEPT OF TRANSPORTATION

TRAFFIC DATA COLLECTION - METRO

File Name : TH 47 @ ALPINE DR-153rd AVE 2006
 Site Code : 00000000
 Start Date : 10/13/2006
 Page No : 3

Start Time	TH 47 Southbound					153 AVE ALPINE DR Westbound					TH 47 Northbound					153 AVE ALPINE DR Eastbound					Int. Total
	Left	Thru	Right	Peds	App. Total	Left	Thru	Right	Peds	App. Total	Left	Thru	Right	Peds	App. Total	Left	Thru	Right	Peds	App. Total	
Peak Hour Analysis From 06:00 to 09:45 - Peak 1 of 1																					
Peak Hour for Entire Intersection Begins at 07:00																					
07:00	11	114	11	0	136	50	11	3	0	64	5	23	10	0	38	10	11	12	0	33	271
07:15	11	96	16	0	123	33	23	3	0	59	4	23	11	0	38	3	16	11	0	30	250
07:30	12	77	9	0	98	36	12	10	0	58	7	35	17	0	59	4	13	10	0	27	242
07:45	11	112	17	0	140	40	13	4	0	57	1	37	17	0	55	4	17	19	0	40	292
Total Volume	45	399	53	0	497	159	59	20	0	238	17	118	55	0	190	21	57	52	0	130	1055
% App. Total	9.1	80.3	10.7	0		66.8	24.8	8.4	0		8.9	62.1	28.9	0		16.2	43.8	40	0		
PHF	.938	.875	.779	.000	.888	.795	.641	.500	.000	.930	.607	.797	.809	.000	.805	.525	.838	.684	.000	.813	.903



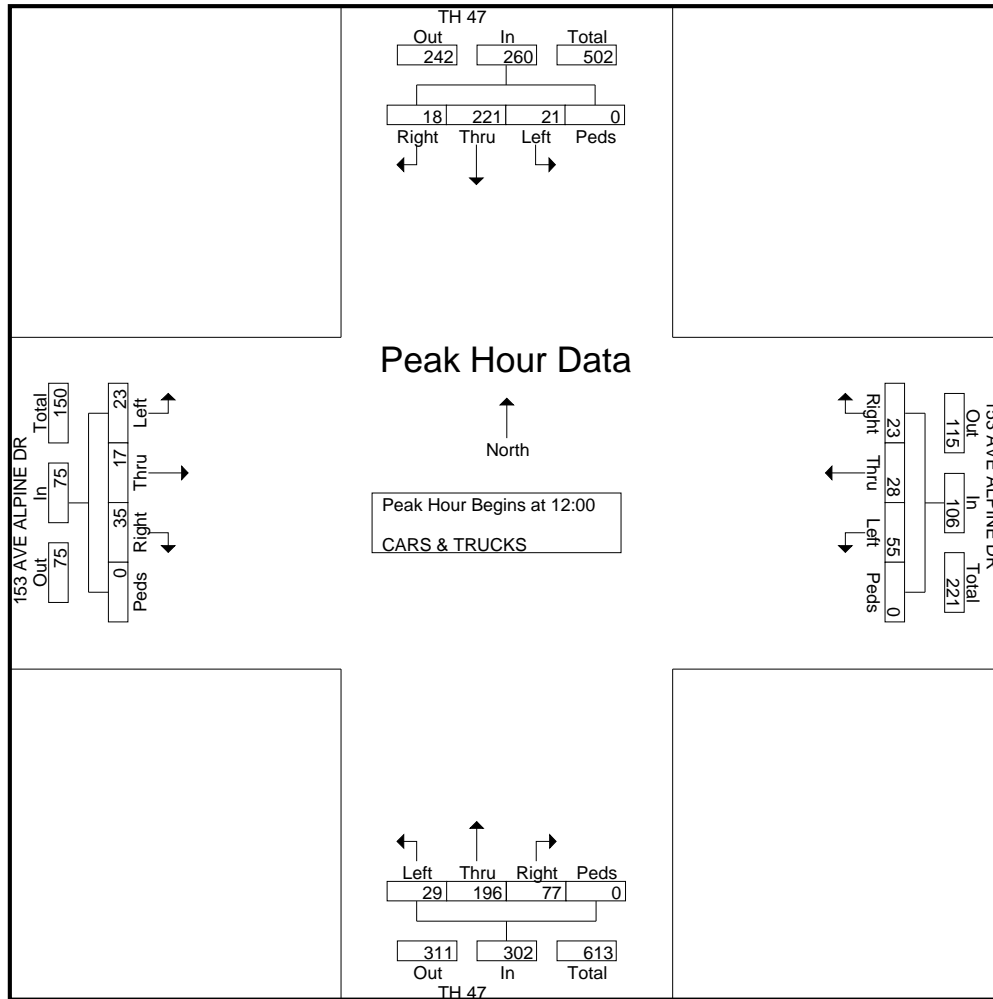


MINNESOTA DEPT OF TRANSPORTATION

TRAFFIC DATA COLLECTION - METRO

File Name : TH 47 @ ALPINE DR-153rd AVE 2006
 Site Code : 00000000
 Start Date : 10/13/2006
 Page No : 4

Start Time	TH 47 Southbound					153 AVE ALPINE DR Westbound					TH 47 Northbound					153 AVE ALPINE DR Eastbound					Int. Total
	Left	Thru	Right	Peds	App. Total	Left	Thru	Right	Peds	App. Total	Left	Thru	Right	Peds	App. Total	Left	Thru	Right	Peds	App. Total	
Peak Hour Analysis From 10:00 to 13:45 - Peak 1 of 1																					
Peak Hour for Entire Intersection Begins at 12:00																					
12:00	5	58	5	0	68	13	6	8	0	27	7	44	10	0	61	6	2	5	0	13	169
12:15	5	56	6	0	67	9	8	6	0	23	11	54	23	0	88	7	2	8	0	17	195
12:30	2	53	3	0	58	17	5	4	0	26	7	48	11	0	66	7	4	10	0	21	171
12:45	9	54	4	0	67	16	9	5	0	30	4	50	33	0	87	3	9	12	0	24	208
Total Volume	21	221	18	0	260	55	28	23	0	106	29	196	77	0	302	23	17	35	0	75	743
% App. Total	8.1	85	6.9	0		51.9	26.4	21.7	0		9.6	64.9	25.5	0		30.7	22.7	46.7	0		
PHF	.583	.953	.750	.000	.956	.809	.778	.719	.000	.883	.659	.907	.583	.000	.858	.821	.472	.729	.000	.781	.893





MINNESOTA DEPT OF TRANSPORTATION

TRAFFIC DATA COLLECTION - METRO

File Name : TH 47 @ ALPINE DR-153rd AVE 2006
 Site Code : 00000000
 Start Date : 10/13/2006
 Page No : 5

Start Time	TH 47 Southbound					153 AVE ALPINE DR Westbound					TH 47 Northbound					153 AVE ALPINE DR Eastbound					Int. Total
	Left	Thru	Right	Peds	App. Total	Left	Thru	Right	Peds	App. Total	Left	Thru	Right	Peds	App. Total	Left	Thru	Right	Peds	App. Total	
Peak Hour Analysis From 14:00 to 16:45 - Peak 1 of 1																					
Peak Hour for Entire Intersection Begins at 15:30																					
15:30	6	60	6	0	72	32	18	20	0	70	19	123	52	0	194	16	20	11	0	47	383
15:45	5	64	5	0	74	24	16	11	0	51	16	115	35	0	166	11	8	5	0	24	315
16:00	10	50	13	0	73	24	20	24	0	68	19	103	58	0	180	10	15	10	0	35	356
16:15	9	57	8	0	74	30	17	25	0	72	23	112	52	0	187	13	12	9	2	36	369
Total Volume	30	231	32	0	293	110	71	80	0	261	77	453	197	0	727	50	55	35	2	142	1423
% App. Total	10.2	78.8	10.9	0		42.1	27.2	30.7	0		10.6	62.3	27.1	0		35.2	38.7	24.6	1.4		
PHF	.750	.902	.615	.000	.990	.859	.888	.800	.000	.906	.837	.921	.849	.000	.937	.781	.688	.795	.250	.755	.929

