



# Minnesota Dept. of Transportation

## Traffic Data Collection -Metro

TH-41/CHESTNUT ST AT 4TH ST  
 Ref.Pt; 001.883  
 Jamar # T-2638 CAH  
 TURN MOVEMENT COUNT

File Name : Not Named 2  
 Site Code : 001.883  
 Start Date : 1/30/2013  
 Page No : 1

**Groups Printed- Unshifted**

Start Time	TH-41/ CHESTNUT ST Southbound				4TH ST Westbound				TH-41/ CHESTNUT ST Northbound				4TH ST Eastbound				Int. Total	
	Right	Thru	Left	Peds	Right	Thru	Left	Peds	Right	Thru	Left	Peds	Right	Thru	Left	Peds		
06:00	2	62	3	0	2	0	3	0	2	68	6	0	0	0	0	0	0	148
06:15	0	95	1	0	0	0	2	1	5	96	5	0	0	0	0	0	0	205
06:30	1	142	5	0	3	0	5	0	4	138	1	0	0	3	0	0	0	302
06:45	0	110	7	0	2	1	2	0	7	85	0	0	2	2	1	0	0	219
Total	3	409	16	0	7	1	12	1	18	387	12	0	2	5	1	0	0	874
07:00	0	122	4	0	1	0	1	0	1	52	2	0	0	0	0	0	0	183
07:15	2	159	12	0	6	3	5	0	17	146	4	0	1	5	1	0	0	361
07:30	0	167	19	0	8	0	5	0	19	185	0	0	0	7	4	0	0	414
07:45	2	140	22	0	6	1	12	1	33	205	1	0	1	11	1	0	0	436
Total	4	588	57	0	21	4	23	1	70	588	7	0	2	23	6	0	0	1394
08:00	3	150	27	1	8	3	7	0	12	116	2	0	0	2	1	0	0	332
08:15	1	85	21	0	8	4	5	0	8	120	2	0	1	6	2	0	0	263
08:30	5	94	13	0	11	1	6	1	2	113	5	0	0	2	2	0	0	255
08:45	5	121	25	0	6	8	7	0	5	102	2	0	1	8	2	0	0	292
Total	14	450	86	1	33	16	25	1	27	451	11	0	2	18	7	0	0	1142
*** BREAK ***																		
15:00	3	107	10	0	16	2	18	2	6	97	3	0	3	1	8	0	0	276
15:15	3	115	6	0	2	2	3	0	2	54	0	0	3	3	0	0	0	193
15:30	6	151	15	0	18	7	18	0	8	141	4	0	5	6	7	0	0	386
15:45	11	160	19	0	23	7	12	2	17	136	7	1	1	17	7	0	0	420
Total	23	533	50	0	59	18	51	4	33	428	14	1	12	27	22	0	0	1275
16:00	10	163	11	1	21	7	21	0	10	115	6	0	2	12	5	0	0	384
16:15	7	186	8	2	18	4	20	3	11	168	6	3	1	6	12	2	0	457
16:30	5	176	9	0	39	7	29	2	12	171	3	0	5	12	8	0	0	478
16:45	5	202	15	3	21	2	11	0	7	154	10	0	2	9	6	0	0	447
Total	27	727	43	6	99	20	81	5	40	608	25	3	10	39	31	2	0	1766
17:00	9	169	24	1	30	9	12	0	8	172	4	0	4	8	2	2	0	454
17:15	5	203	16	1	16	8	10	0	6	170	2	0	7	4	4	0	0	452
17:30	6	157	6	0	20	5	15	0	4	149	2	1	7	3	5	0	0	380
17:45	6	149	8	0	8	11	10	0	6	140	3	0	5	8	5	0	0	359
Total	26	678	54	2	74	33	47	0	24	631	11	1	23	23	16	2	0	1645
Grand Total	97	3385	306	9	293	92	239	12	212	3093	80	5	51	135	83	4	0	8096
Apprch %	2.6	89.1	8.1	0.2	46.1	14.5	37.6	1.9	6.3	91.2	2.4	0.1	18.7	49.5	30.4	1.5	0	
Total %	1.2	41.8	3.8	0.1	3.6	1.1	3	0.1	2.6	38.2	1	0.1	0.6	1.7	1	0	0	



# Minnesota Dept. of Transportation

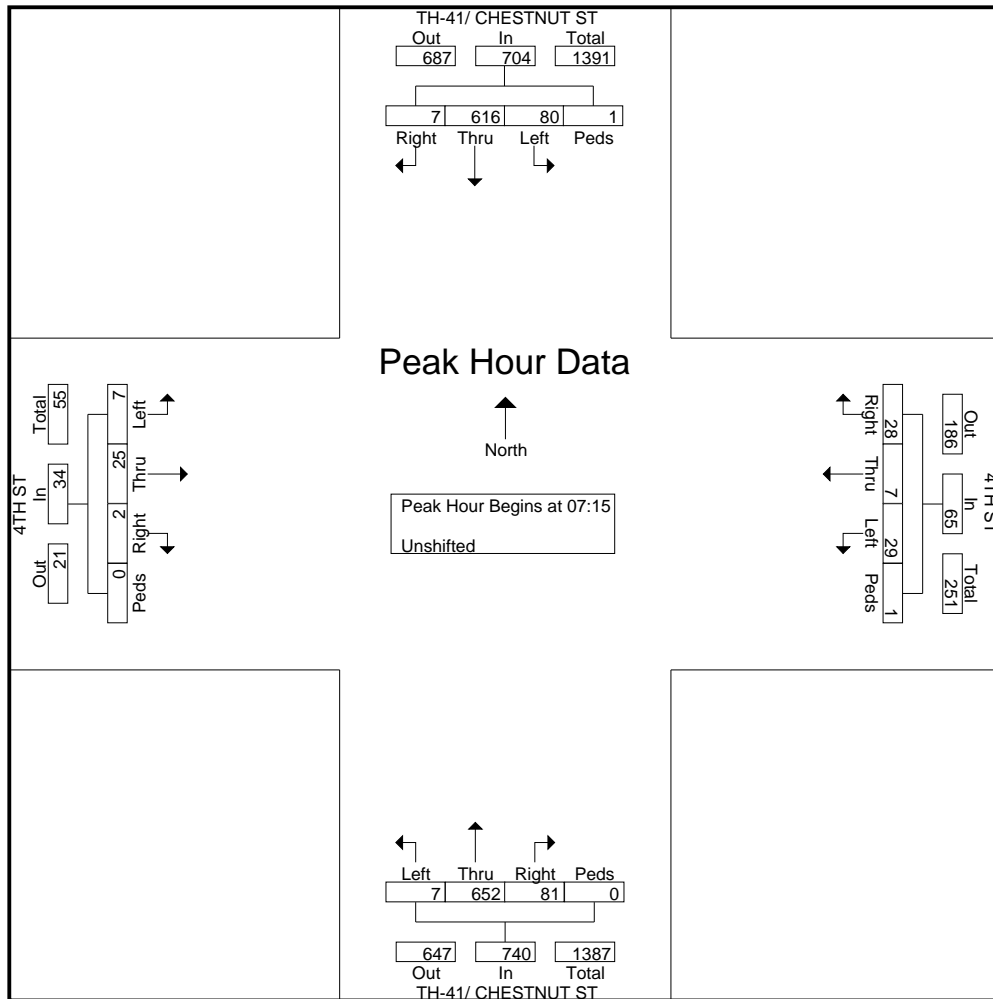
## Traffic Data Collection -Metro

TH-41/CHESTNUT ST AT 4TH ST  
 Ref.Pt; 001.883  
 Jamar # T-2638 CAH  
 TURN MOVEMENT COUNT

File Name : Not Named 2  
 Site Code : 001.883  
 Start Date : 1/30/2013  
 Page No : 2

Start Time	TH-41/ CHESTNUT ST Southbound					4TH ST Westbound					TH-41/ CHESTNUT ST Northbound					4TH ST Eastbound					Int. Total
	Right	Thru	Left	Peds	App. Total	Right	Thru	Left	Peds	App. Total	Right	Thru	Left	Peds	App. Total	Right	Thru	Left	Peds	App. Total	
07:15	2	159	12	0	173	6	3	5	0	14	17	146	4	0	167	1	5	1	0	7	361
07:30	0	167	19	0	186	8	0	5	0	13	19	185	0	0	204	0	7	4	0	11	414
07:45	2	140	22	0	164	6	1	12	1	20	33	205	1	0	239	1	11	1	0	13	436
08:00	3	150	27	1	181	8	3	7	0	18	12	116	2	0	130	0	2	1	0	3	332
Total Volume	7	616	80	1	704	28	7	29	1	65	81	652	7	0	740	2	25	7	0	34	1543
% App. Total	1	87.5	11.4	0.1		43.1	10.8	44.6	1.5		10.9	88.1	0.9	0		5.9	73.5	20.6	0		
PHF	.583	.922	.741	.250	.946	.875	.583	.604	.250	.813	.614	.795	.438	.000	.774	.500	.568	.438	.000	.654	.885

Peak Hour Analysis From 06:00 to 08:45 - Peak 1 of 1  
 Peak Hour for Entire Intersection Begins at 07:15





# Minnesota Dept. of Transportation

## Traffic Data Collection -Metro

TH-41/CHESTNUT ST AT 4TH ST  
 Ref.Pt; 001.883  
 Jamar # T-2638 CAH  
 TURN MOVEMENT COUNT

File Name : Not Named 2  
 Site Code : 001.883  
 Start Date : 1/30/2013  
 Page No : 3

Start Time	TH-41/ CHESTNUT ST Southbound					4TH ST Westbound					TH-41/ CHESTNUT ST Northbound					4TH ST Eastbound					Int. Total
	Rig ht	Thr u	Left	Ped s	App. Total	Rig ht	Thr u	Left	Ped s	App. Total	Right	Thr u	Left	Peds	App. Total	Right	Thr u	Left	Peds	App. Total	
Peak Hour Analysis From 15:00 to 17:45 - Peak 1 of 1																					
Peak Hour for Entire Intersection Begins at 16:15																					
16:15	7	186	8	2	203	18	4	20	3	45	11	168	6	3	188	1	6	12	2	21	457
16:30	5	176	9	0	190	39	7	29	2	77	12	171	3	0	186	5	12	8	0	25	478
16:45	5	202	15	3	225	21	2	11	0	34	7	154	10	0	171	2	9	6	0	17	447
17:00	9	169	24	1	203	30	9	12	0	51	8	172	4	0	184	4	8	2	2	16	454
Total Volume	26	733	56	6	821	108	22	72	5	207	38	665	23	3	729	12	35	28	4	79	1836
% App. Total	3.2	89.3	6.8	0.7		52.2	10.6	34.8	2.4		5.2	91.2	3.2	0.4		15.2	44.3	35.4	5.1		
PHF	.722	.907	.583	.500	.912	.692	.611	.621	.417	.672	.792	.967	.575	.250	.969	.600	.729	.583	.500	.790	.960

