

Associated Consulting Services (ACS)
 Roseville, MN 55113
 -- TRAFFIC DATA --

TH-149 at Cliff St_2021
 Data Prepared By: ACS
 TURNING MOVEMENT COUNT

File Name : TH-149 at Cliff St_2021
 Site Code :
 Start Date : 8/10/2021
 Page No : 1

Groups Printed- Cars - Trucks

Start Time	TH-149 Southbound				Westbound				TH-149 Northbound				Cliff St Eastbound				Int. Total
	Left	Thru	Right	Peds	Left	Thru	Right	Peds	Left	Thru	Right	Peds	Left	Thru	Right	Peds	
06:00	0	7	1	0	0	0	0	0	10	39	0	0	0	0	9	0	66
06:15	0	11	0	0	0	0	0	0	20	39	0	0	0	0	8	0	78
06:30	0	7	2	2	0	0	0	0	28	73	0	0	0	0	5	2	119
06:45	0	18	0	2	0	0	0	0	30	71	0	0	0	0	15	3	139
Total	0	43	3	4	0	0	0	0	88	222	0	0	0	0	37	5	402
07:00	0	18	1	1	0	0	0	0	38	71	0	0	0	0	9	1	139
07:15	0	25	0	4	0	0	0	0	31	93	0	1	0	0	12	2	168
07:30	0	30	3	2	0	0	0	0	41	98	0	0	0	0	18	2	194
07:45	0	34	3	1	0	0	0	0	61	98	0	0	0	0	34	1	232
Total	0	107	7	8	0	0	0	0	171	360	0	1	0	0	73	6	733
08:00	0	42	2	2	0	0	0	0	34	81	0	0	1	0	30	0	192
08:15	0	39	2	1	0	0	0	0	36	90	0	0	1	0	30	2	201
08:30	0	41	1	0	0	0	0	0	47	84	0	0	2	0	18	2	195
08:45	0	30	1	1	0	0	0	0	61	82	0	0	1	0	30	5	211
Total	0	152	6	4	0	0	0	0	178	337	0	0	5	0	108	9	799
09:00	0	46	2	1	0	0	0	0	32	65	0	0	0	0	26	3	175
09:15	0	50	0	2	0	0	0	0	31	77	0	0	1	0	22	2	185
09:30	0	47	5	0	0	0	0	0	50	70	0	0	2	0	23	0	197
09:45	0	44	3	2	0	0	0	0	48	65	0	0	1	0	22	2	187
Total	0	187	10	5	0	0	0	0	161	277	0	0	4	0	93	7	744
10:00	0	38	4	2	0	0	0	0	27	60	0	0	2	0	21	2	156
10:15	0	61	3	0	0	0	0	0	28	69	0	0	1	0	28	0	190
10:30	0	51	0	2	0	0	0	0	33	69	0	0	1	0	34	1	191
10:45	0	51	1	0	0	0	0	0	36	52	0	0	0	0	29	1	170
Total	0	201	8	4	0	0	0	0	124	250	0	0	4	0	112	4	707
11:00	0	73	1	1	0	0	0	0	52	60	0	0	0	0	26	0	213
11:15	0	71	0	0	0	0	0	0	28	62	0	0	1	0	32	3	197
11:30	0	63	8	0	0	0	0	0	43	72	0	0	2	0	30	0	218
11:45	0	66	3	3	0	0	0	0	41	66	0	0	4	0	30	2	215
Total	0	273	12	4	0	0	0	0	164	260	0	0	7	0	118	5	843
12:00	0	72	7	0	0	0	0	0	45	56	0	0	2	0	34	2	218
12:15	0	42	2	3	0	0	0	0	39	60	0	0	1	0	48	1	196
12:30	0	61	5	0	0	0	0	0	45	63	0	0	2	0	42	0	218
12:45	0	65	2	0	0	0	0	0	55	71	0	0	0	0	41	0	234
Total	0	240	16	3	0	0	0	0	184	250	0	0	5	0	165	3	866
13:00	0	63	1	1	0	0	0	0	43	69	0	0	1	0	34	0	212
13:15	0	70	1	0	0	0	0	0	49	66	0	0	0	0	46	0	232
13:30	0	71	2	0	0	0	0	0	43	57	0	0	2	0	26	0	201
13:45	0	63	5	1	0	0	0	0	45	70	0	0	3	0	52	1	240
Total	0	267	9	2	0	0	0	0	180	262	0	0	6	0	158	1	885
14:00	0	77	2	0	0	0	0	0	38	57	0	0	2	0	31	0	207
14:15	0	61	4	2	0	0	0	0	40	74	0	0	3	0	35	4	223
14:30	0	70	0	3	0	0	0	0	49	85	0	0	1	0	34	2	244
14:45	0	81	2	1	0	0	0	0	51	71	0	0	2	0	34	2	244
Total	0	289	8	6	0	0	0	0	178	287	0	0	8	0	134	8	918

Associated Consulting Services (ACS)
 Roseville, MN 55113
 -- TRAFFIC DATA --

TH-149 at Cliff St_2021
 Data Prepared By: ACS
 TURNING MOVEMENT COUNT

File Name : TH-149 at Cliff St_2021
 Site Code :
 Start Date : 8/10/2021
 Page No : 2

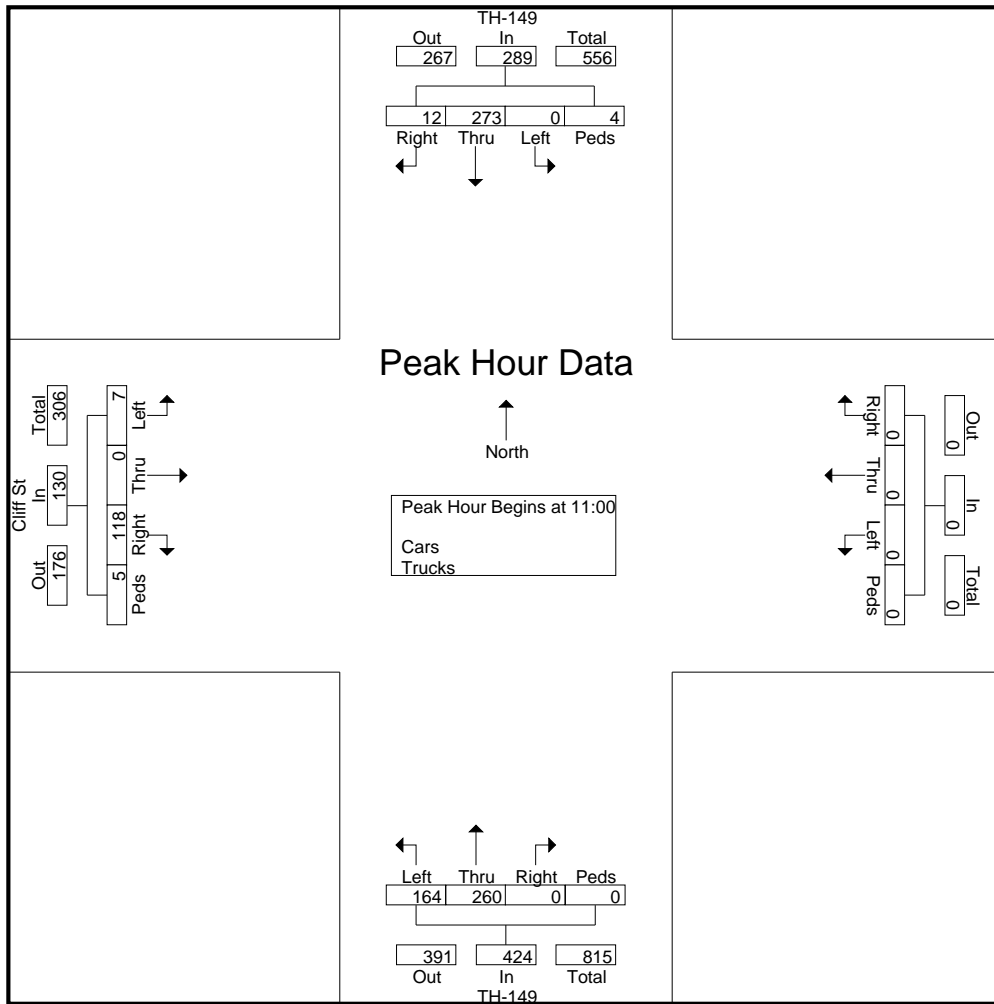
Groups Printed- Cars - Trucks

Start Time	TH-149 Southbound				Westbound				TH-149 Northbound				Cliff St Eastbound				Int. Total
	Left	Thru	Right	Peds	Left	Thru	Right	Peds	Left	Thru	Right	Peds	Left	Thru	Right	Peds	
15:00	0	79	5	0	0	0	0	0	56	61	0	0	2	0	30	1	234
15:15	0	80	3	0	0	0	0	0	41	81	0	0	1	0	45	0	251
15:30	0	107	4	0	0	0	0	0	57	65	0	0	1	0	45	2	281
15:45	0	121	3	2	0	0	0	0	41	89	0	0	2	0	44	3	305
Total	0	387	15	2	0	0	0	0	195	296	0	0	6	0	164	6	1071
16:00	0	115	4	2	0	0	0	0	47	58	0	0	1	0	39	2	268
16:15	0	121	7	0	0	0	0	0	59	76	0	0	3	0	50	0	316
16:30	0	137	3	5	0	0	0	0	65	68	0	0	0	0	66	2	346
16:45	0	123	6	0	0	0	0	0	69	79	0	0	1	0	71	1	350
Total	0	496	20	7	0	0	0	0	240	281	0	0	5	0	226	5	1280
17:00	0	111	4	1	0	0	0	0	55	90	0	0	2	0	62	2	327
17:15	0	119	4	1	0	0	0	0	42	91	0	0	1	0	46	0	304
17:30	0	113	3	0	0	0	0	0	64	87	0	0	2	0	66	1	336
17:45	0	91	6	3	0	0	0	0	61	84	0	0	1	0	59	5	310
Total	0	434	17	5	0	0	0	0	222	352	0	0	6	0	233	8	1277
Grand Total	0	3076	131	54	0	0	0	0	2085	3434	0	1	56	0	1621	67	10525
Apprch %	0	94.3	4	1.7	0	0	0	0	37.8	62.2	0	0	3.2	0	92.9	3.8	
Total %	0	29.2	1.2	0.5	0	0	0	0	19.8	32.6	0	0	0.5	0	15.4	0.6	
Cars	0	2998	124	54	0	0	0	0	2060	3349	0	1	53	0	1598	67	10304
% Cars	0	97.5	94.7	100	0	0	0	0	98.8	97.5	0	100	94.6	0	98.6	100	97.9
Trucks	0	78	7	0	0	0	0	0	25	85	0	0	3	0	23	0	221
% Trucks	0	2.5	5.3	0	0	0	0	0	1.2	2.5	0	0	5.4	0	1.4	0	2.1

TH-149 at Cliff St_2021
 Data Prepared By: ACS
 TURNING MOVEMENT COUNT

File Name : TH-149 at Cliff St_2021
 Site Code :
 Start Date : 8/10/2021
 Page No : 3

Start Time	TH-149 Southbound					Westbound					TH-149 Northbound					Cliff St Eastbound					Int. Total
	Left	Thru	Right	Peds	App. Total	Left	Thru	Right	Peds	App. Total	Left	Thru	Right	Peds	App. Total	Left	Thru	Right	Peds	App. Total	
Peak Hour Analysis From 06:00 to 11:45 - Peak 1 of 1																					
Peak Hour for Entire Intersection Begins at 11:00																					
11:00	0	73	1	1	75	0	0	0	0	0	52	60	0	0	112	0	0	26	0	26	213
11:15	0	71	0	0	71	0	0	0	0	0	28	62	0	0	90	1	0	32	3	36	197
11:30	0	63	8	0	71	0	0	0	0	0	43	72	0	0	115	2	0	30	0	32	218
11:45	0	66	3	3	72	0	0	0	0	0	41	66	0	0	107	4	0	30	2	36	215
Total Volume	0	273	12	4	289	0	0	0	0	0	164	260	0	0	424	7	0	118	5	130	843
% App. Total	0	94.5	4.2	1.4		0	0	0	0		38.7	61.3	0	0		5.4	0	90.8	3.8		
PHF	.000	.935	.375	.333	.963	.000	.000	.000	.000	.000	.788	.903	.000	.000	.922	.438	.000	.922	.417	.903	.967



TH-149 at Cliff St_2021
 Data Prepared By: ACS
 TURNING MOVEMENT COUNT

File Name : TH-149 at Cliff St_2021
 Site Code :
 Start Date : 8/10/2021
 Page No : 4

Start Time	TH-149 Southbound					Westbound					TH-149 Northbound					Cliff St Eastbound					Int. Total
	Left	Thru	Right	Peds	App. Total	Left	Thru	Right	Peds	App. Total	Left	Thru	Right	Peds	App. Total	Left	Thru	Right	Peds	App. Total	
Peak Hour Analysis From 12:00 to 17:45 - Peak 1 of 1																					
Peak Hour for Entire Intersection Begins at 16:15																					
16:15	0	121	7	0	128	0	0	0	0	0	59	76	0	0	135	3	0	50	0	53	316
16:30	0	137	3	5	145	0	0	0	0	0	65	68	0	0	133	0	0	66	2	68	346
16:45	0	123	6	0	129	0	0	0	0	0	69	79	0	0	148	1	0	71	1	73	350
17:00	0	111	4	1	116	0	0	0	0	0	55	90	0	0	145	2	0	62	2	66	327
Total Volume	0	492	20	6	518	0	0	0	0	0	248	313	0	0	561	6	0	249	5	260	1339
% App. Total	0	95	3.9	1.2		0	0	0	0		44.2	55.8	0	0		2.3	0	95.8	1.9		
PHF	.000	.898	.714	.300	.893	.000	.000	.000	.000	.000	.899	.869	.000	.000	.948	.500	.000	.877	.625	.890	.956

