

TRAFFIC DATA INC.

3268 Xenwood Ave S
St Louis Park, MN 55416

TH-13 at Duluth Ave
Ref.Pt.: 084.641 PRIOR LAKE
Data By: Traffic Data Inc
TURN MOVEMENT COUNT

File Name : TH-13 at Duluth Ave 2009
Site Code : 00182912
Start Date : 4/28/2009
Page No : 1

Groups Printed- Unshifted

Start Time	Duluth Ave Southbound				TH-13 Westbound				Duluth Ave Northbound				TH-13 Eastbound				Int. Total
	Left	Thru	Right	Peds	Left	Thru	Right	Peds	Left	Thru	Right	Peds	Left	Thru	Right	Peds	
06:00	2	6	0	0	2	16	0	0	5	6	20	0	8	90	4	0	159
06:15	4	7	0	0	7	20	0	0	7	13	16	0	8	104	3	0	189
06:30	2	9	2	0	3	23	0	0	5	25	19	0	15	158	3	0	264
06:45	6	11	5	0	0	21	1	0	5	22	28	0	15	172	3	0	289
Total	14	33	7	0	12	80	1	0	22	66	83	0	46	524	13	0	901
07:00	4	13	7	0	10	40	1	0	10	25	19	0	18	141	5	0	293
07:15	1	10	3	0	5	45	1	0	8	15	24	0	24	157	6	0	299
07:30	6	11	6	1	18	52	0	0	8	20	29	0	22	151	4	0	328
07:45	3	9	8	0	12	43	0	0	10	25	20	0	19	124	9	0	282
Total	14	43	24	1	45	180	2	0	36	85	92	0	83	573	24	0	1202
08:00	1	15	5	0	12	43	0	0	7	16	17	0	22	111	5	0	254
08:15	6	17	14	0	5	31	1	0	8	15	23	0	9	120	5	0	254
08:30	2	13	10	0	5	46	0	0	6	13	14	0	17	95	11	0	232
08:45	1	17	5	0	23	44	2	0	8	16	21	0	25	115	7	0	284
Total	10	62	34	0	45	164	3	0	29	60	75	0	73	441	28	0	1024
*** BREAK ***																	
11:00	3	22	11	0	19	57	1	0	8	17	23	1	7	66	12	1	248
11:15	6	19	12	0	22	49	10	0	14	17	15	0	10	60	11	0	245
11:30	7	26	15	0	28	60	1	0	10	21	21	0	14	84	9	0	296
11:45	10	25	13	0	21	54	5	0	15	19	20	0	19	64	9	0	274
Total	26	92	51	0	90	220	17	0	47	74	79	1	50	274	41	1	1063
12:00	13	22	16	0	25	71	5	0	16	22	15	0	14	70	9	0	298
12:15	12	27	13	0	27	55	3	0	13	24	14	0	22	60	8	0	278
12:30	9	23	12	0	16	79	4	0	7	21	20	0	14	62	12	0	279
12:45	8	25	11	0	23	59	4	0	21	30	15	0	15	52	15	1	279
Total	42	97	52	0	91	264	16	0	57	97	64	0	65	244	44	1	1134
*** BREAK ***																	
15:00	5	42	19	0	29	95	2	1	23	21	13	0	11	68	10	0	339
15:15	7	40	21	0	30	120	6	0	16	25	19	0	11	61	12	0	368
15:30	10	48	20	0	27	134	1	0	20	24	19	0	19	76	17	0	415
15:45	7	53	29	1	36	134	2	0	22	26	23	0	9	92	12	0	446
Total	29	183	89	1	122	483	11	1	81	96	74	0	50	297	51	0	1568
16:00	5	46	19	0	39	131	6	0	33	20	21	0	17	91	15	1	444
16:15	5	53	17	0	40	129	3	0	20	27	26	1	8	104	10	0	443
16:30	2	58	26	3	29	126	5	3	18	26	29	0	24	82	6	0	437
16:45	2	58	34	0	28	142	4	0	19	30	16	0	13	87	16	1	450
Total	14	215	96	3	136	528	18	3	90	103	92	1	62	364	47	2	1774
17:00	6	65	43	0	23	117	1	0	12	33	15	0	15	96	6	1	433
17:15	9	58	33	0	32	153	3	0	23	30	9	0	22	86	17	1	476
17:30	5	47	31	0	41	123	5	0	32	26	26	0	10	91	16	0	453
17:45	5	58	27	0	29	136	3	0	26	28	17	0	14	93	10	1	447
Total	25	228	134	0	125	529	12	0	93	117	67	0	61	366	49	3	1809
Grand Total	174	953	487	5	666	2448	80	4	455	698	626	2	490	3083	297	7	10475
Apprch %	10.7	58.9	30.1	0.3	20.8	76.5	2.5	0.1	25.5	39.2	35.1	0.1	12.6	79.5	7.7	0.2	
Total %	1.7	9.1	4.6	0	6.4	23.4	0.8	0	4.3	6.7	6	0	4.7	29.4	2.8	0.1	

TRAFFIC DATA INC.

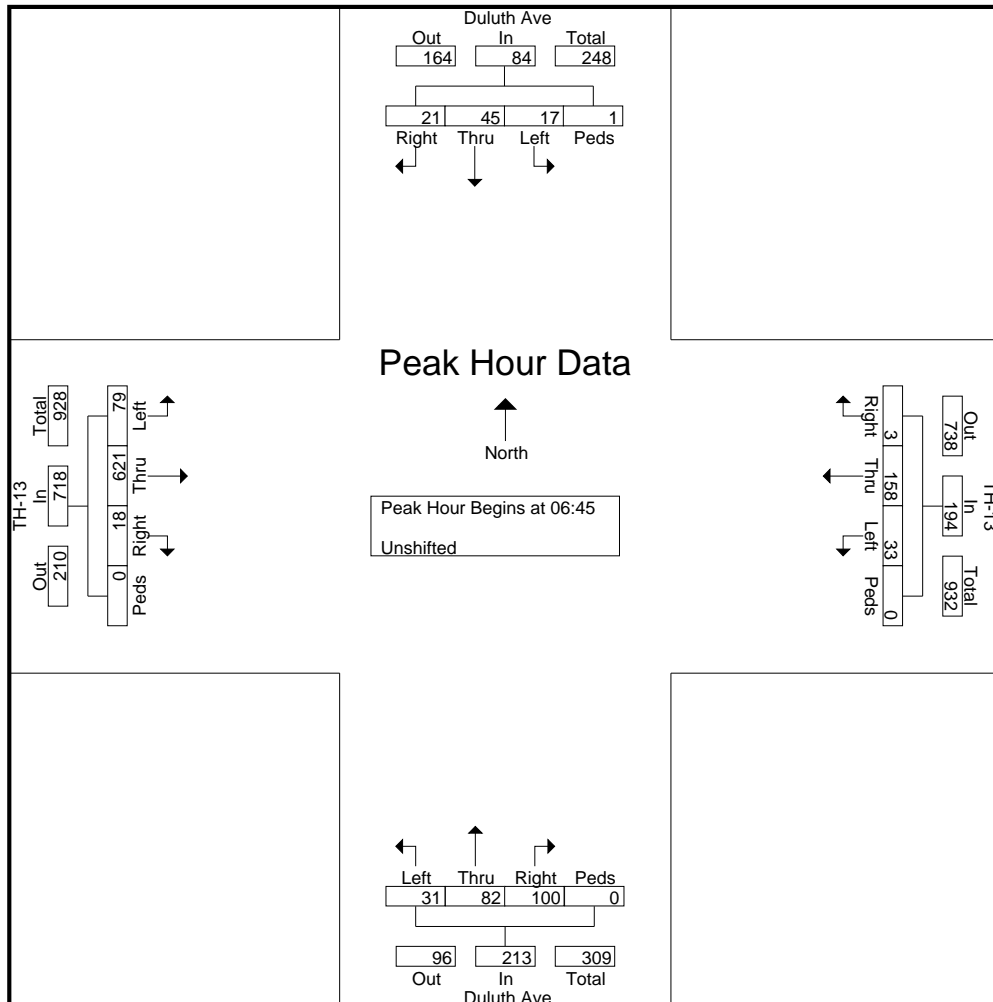
3268 Xenwood Ave S
St Louis Park, MN 55416

TH-13 at Duluth Ave
Ref.Pt.: 084.641 PRIOR LAKE
Data By: Traffic Data Inc
TURN MOVEMENT COUNT

File Name : TH-13 at Duluth Ave 2009
Site Code : 00182912
Start Date : 4/28/2009
Page No : 2

Start Time	Duluth Ave Southbound					TH-13 Westbound					Duluth Ave Northbound					TH-13 Eastbound					Int. Total
	Left	Thru	Right	Peds	App. Total	Left	Thru	Right	Peds	App. Total	Left	Thru	Right	Peds	App. Total	Left	Thru	Right	Peds	App. Total	
06:45	6	11	5	0	22	0	21	1	0	22	5	22	28	0	55	15	172	3	0	190	289
07:00	4	13	7	0	24	10	40	1	0	51	10	25	19	0	54	18	141	5	0	164	293
07:15	1	10	3	0	14	5	45	1	0	51	8	15	24	0	47	24	157	6	0	187	299
07:30	6	11	6	1	24	18	52	0	0	70	8	20	29	0	57	22	151	4	0	177	328
Total Volume	17	45	21	1	84	33	158	3	0	194	31	82	100	0	213	79	621	18	0	718	1209
% App. Total	20.2	53.6	25	1.2		17	81.4	1.5	0		14.6	38.5	46.9	0		11	86.5	2.5	0		
PHF	.708	.865	.750	.250	.875	.458	.760	.750	.000	.693	.775	.820	.862	.000	.934	.823	.903	.750	.000	.945	.921

Peak Hour Analysis From 06:00 to 08:45 - Peak 1 of 1
Peak Hour for Entire Intersection Begins at 06:45



TRAFFIC DATA INC.

3268 Xenwood Ave S
St Louis Park, MN 55416

TH-13 at Duluth Ave
Ref.Pt.: 084.641 PRIOR LAKE
Data By: Traffic Data Inc
TURN MOVEMENT COUNT

File Name : TH-13 at Duluth Ave 2009
Site Code : 00182912
Start Date : 4/28/2009
Page No : 3

Start Time	Duluth Ave Southbound					TH-13 Westbound					Duluth Ave Northbound					TH-13 Eastbound					Int. Total
	Left	Thru	Right	Peds	App. Total	Left	Thru	Right	Peds	App. Total	Left	Thru	Right	Peds	App. Total	Left	Thru	Right	Peds	App. Total	

Peak Hour Analysis From 15:00 to 17:45 - Peak 1 of 1
Peak Hour for Entire Intersection Begins at 16:45

16:45	2	58	34	0	94	28	142	4	0	174	19	30	16	0	65	13	87	16	1	117	450
17:00	6	65	43	0	114	23	117	1	0	141	12	33	15	0	60	15	96	6	1	118	433
17:15	9	58	33	0	100	32	153	3	0	188	23	30	9	0	62	22	86	17	1	126	476
17:30	5	47	31	0	83	41	123	5	0	169	32	26	26	0	84	10	91	16	0	117	453
Total Volume	22	228	141	0	391	124	535	13	0	672	86	119	66	0	271	60	360	55	3	478	1812
% App. Total	5.6	58.3	36.1	0		18.5	79.6	1.9	0		31.7	43.9	24.4	0		12.6	75.3	11.5	0.6		
PHF	.611	.877	.820	.000	.857	.756	.874	.650	.000	.894	.672	.902	.635	.000	.807	.682	.938	.809	.750	.948	.952

