



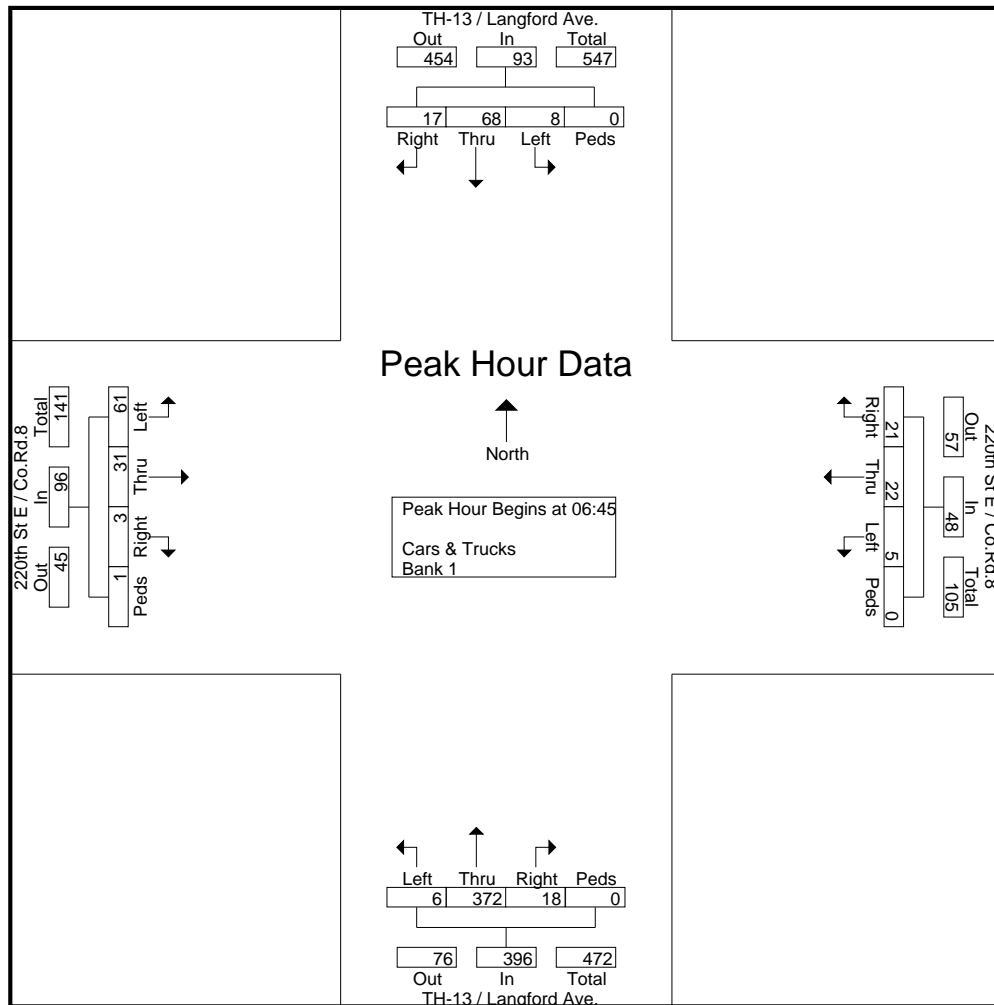
MINNESOTA DEPT OF TRANSPORTATION

TRAFFIC DATA COLLECTION - METRO

TH-13 / Langford Ave at 220th St E / CR8
 Ref.Pt.: 076.872
 JAMAR # 631 CP
 TURN MOVEMENT COUNT

File Name : th-13 at 220th st e cord8 2011
 Site Code : 00000000
 Start Date : 3/17/2011
 Page No : 2

Start Time	TH-13 / Langford Ave. Southbound					220th St E / Co.Rd.8 Westbound					TH-13 / Langford Ave. Northbound					220th St E / Co.Rd.8 Eastbound					Int. Total
	Left	Thru	Right	Peds	App. Total	Left	Thru	Right	Peds	App. Total	Left	Thru	Right	Peds	App. Total	Left	Thru	Right	Peds	App. Total	
Peak Hour Analysis From 06:00 to 08:45 - Peak 1 of 1																					
Peak Hour for Entire Intersection Begins at 06:45																					
06:45	3	10	2	0	15	1	4	1	0	6	0	80	4	0	84	16	8	1	0	25	130
07:00	2	16	3	0	21	2	6	9	0	17	2	89	4	0	95	19	11	1	0	31	164
07:15	2	20	7	0	29	1	5	9	0	15	0	98	6	0	104	10	10	0	1	21	169
07:30	1	22	5	0	28	1	7	2	0	10	4	105	4	0	113	16	2	1	0	19	170
Total Volume	8	68	17	0	93	5	22	21	0	48	6	372	18	0	396	61	31	3	1	96	633
% App. Total	8.6	73.1	18.3	0		10.4	45.8	43.8	0		1.5	93.9	4.5	0		63.5	32.3	3.1	1		
PHF	.667	.773	.607	.000	.802	.625	.786	.583	.000	.706	.375	.886	.750	.000	.876	.803	.705	.750	.250	.774	.931





MINNESOTA DEPT OF TRANSPORTATION

TRAFFIC DATA COLLECTION - METRO

TH-13 / Langford Ave at 220th St E / CR8
 Ref.Pt.: 076.872
 JAMAR # 631 CP
 TURN MOVEMENT COUNT

File Name : th-13 at 220th st e cord8 2011
 Site Code : 00000000
 Start Date : 3/17/2011
 Page No : 3

Start Time	TH-13 / Langford Ave. Southbound					220th St E / Co.Rd.8 Westbound					TH-13 / Langford Ave. Northbound					220th St E / Co.Rd.8 Eastbound					Int. Total
	Left	Thru	Right	Peds	App. Total	Left	Thru	Right	Peds	App. Total	Left	Thru	Right	Peds	App. Total	Left	Thru	Right	Peds	App. Total	
16:45	3	102	15	0	120	3	11	3	0	17	0	22	2	0	24	11	11	1	0	23	184
17:00	6	89	18	0	113	2	7	4	0	13	3	22	1	0	26	10	6	2	0	18	170
17:15	3	80	19	0	102	4	12	7	0	23	0	40	3	0	43	10	7	1	0	18	186
17:30	3	72	16	0	91	5	21	0	0	26	0	31	4	0	35	12	8	2	0	22	174
Total Volume	15	343	68	0	426	14	51	14	0	79	3	115	10	0	128	43	32	6	0	81	714
% App. Total	3.5	80.5	16	0		17.7	64.6	17.7	0		2.3	89.8	7.8	0		53.1	39.5	7.4	0		
PHF	.625	.841	.895	.000	.888	.700	.607	.500	.000	.760	.250	.719	.625	.000	.744	.896	.727	.750	.000	.880	.960

Peak Hour Analysis From 15:00 to 17:45 - Peak 1 of 1
 Peak Hour for Entire Intersection Begins at 16:45

