

Alliant Engineering

Minneapolis, MN 55415

--TRAFFIC DATA --

TH-101 at 53rd St NE, EAST RAMPS

Ref.Pt.: 042.044

Alliant Eng.

TURN MOVEMENT COUNT

File Name : 102_TH 101 and CR 36 E Ramp

Site Code : 102

Start Date : 2/25/2016

Page No : 1

Groups Printed- Vehicles - Trucks

Start Time	TH-101 , East Ramps Southbound				Co.Rd.36 / 53rd St NE Westbound				TH-101 , East Ramps Northbound				Co.Rd.36 / 53rd St NE Eastbound				Int. Total
	Left	Thru	Rght	Other	Left	Thru	Rght	Other	Left	Thru	Rght	Other	Left	Thru	Rght	Other	
06:00	0	0	0	0	0	19	2	0	13	0	7	0	21	5	0	0	67
06:15	0	0	0	0	0	31	2	0	13	0	7	0	41	8	0	0	102
06:30	0	0	0	0	0	21	2	0	12	0	14	0	32	6	0	0	87
06:45	0	0	0	0	0	27	2	0	12	0	9	0	39	24	0	0	113
Total	0	0	0	0	0	98	8	0	50	0	37	0	133	43	0	0	369
07:00	0	0	0	0	0	42	4	0	12	0	10	0	40	15	1	0	124
07:15	0	0	0	0	0	36	3	0	12	1	9	0	51	28	0	0	140
07:30	0	0	0	0	0	47	7	0	12	0	11	0	43	29	0	0	149
07:45	0	0	0	0	0	43	8	0	12	0	8	0	55	16	0	0	142
Total	0	0	0	0	0	168	22	0	48	1	38	0	189	88	1	0	555
08:00	0	0	0	0	0	30	5	0	18	0	14	0	29	17	0	0	113
08:15	0	0	0	0	0	24	3	0	8	0	12	0	36	14	0	0	97
08:30	0	0	0	0	0	31	5	0	12	0	14	0	29	10	0	0	101
08:45	0	0	0	0	0	33	4	0	11	0	4	0	44	11	0	0	107
Total	0	0	0	0	0	118	17	0	49	0	44	0	138	52	0	0	418
09:00	0	0	0	0	0	23	1	0	13	0	4	0	23	13	0	0	77
09:15	0	0	0	0	0	20	1	0	6	0	8	0	26	10	0	0	71
*** BREAK ***																	
Total	0	0	0	0	0	43	2	0	19	0	12	0	49	23	0	0	148
*** BREAK ***																	
10:30	0	0	0	0	0	11	3	0	20	0	10	0	16	9	0	0	69
10:45	0	0	0	0	0	21	8	0	18	0	16	0	26	4	0	0	93
Total	0	0	0	0	0	32	11	0	38	0	26	0	42	13	0	0	162
11:00	0	0	0	0	0	22	4	0	12	0	20	0	39	6	0	0	103
11:15	0	0	0	0	0	15	7	0	25	0	10	0	32	11	0	0	100
11:30	0	0	0	0	0	12	2	0	18	0	17	0	26	17	0	0	92
11:45	0	0	0	2	0	27	3	1	24	0	20	0	34	13	0	0	124
Total	0	0	0	2	0	76	16	1	79	0	67	0	131	47	0	0	419
12:00	0	0	0	0	0	25	2	0	12	0	11	0	24	13	1	0	88
12:15	0	0	0	0	0	24	3	0	26	0	15	0	40	6	0	0	114
12:30	0	0	0	0	0	16	3	0	14	0	11	0	27	7	0	0	78
12:45	0	0	0	0	0	34	4	0	34	1	16	0	20	4	0	0	113
Total	0	0	0	0	0	99	12	0	86	1	53	0	111	30	1	0	393
13:00	0	0	0	0	0	18	2	0	25	0	15	0	24	11	0	0	95
13:15	0	0	0	0	0	16	3	0	22	0	19	0	24	11	0	0	95
*** BREAK ***																	
Total	0	0	0	0	0	34	5	0	47	0	34	0	48	22	0	0	190
*** BREAK ***																	
14:30	0	0	0	0	0	17	3	0	37	0	27	0	41	11	0	0	136
14:45	0	0	0	0	0	27	3	0	39	0	29	0	44	13	0	0	155
Total	0	0	0	0	0	44	6	0	76	0	56	0	85	24	0	0	291
15:00	0	0	0	0	0	32	8	0	42	0	30	0	46	10	0	0	168
15:15	0	0	0	0	1	18	3	0	43	0	31	0	48	11	0	0	155
15:30	0	0	0	0	0	27	12	0	37	0	26	0	61	10	0	0	173
15:45	0	0	0	0	0	31	6	0	40	0	19	0	52	10	1	0	159
Total	0	0	0	0	1	108	29	0	162	0	106	0	207	41	1	0	655
16:00	0	0	0	0	0	28	13	0	39	1	27	0	56	19	0	0	183
16:15	0	0	0	0	0	38	6	0	24	0	22	0	61	17	0	0	168
16:30	0	0	0	0	0	54	7	0	33	1	28	0	81	22	1	0	227

Alliant Engineering

Minneapolis, MN 55415

--TRAFFIC DATA --

TH-101 at 53rd St NE, EAST RAMPS

Ref.Pt.: 042.044

Alliant Eng.

TURN MOVEMENT COUNT

File Name : 102_TH 101 and CR 36 E Ramp

Site Code : 102

Start Date : 2/25/2016

Page No : 2

Groups Printed- Vehicles - Trucks

Start Time	TH-101 , East Ramps Southbound				Co.Rd.36 / 53rd St NE Westbound				TH-101 , East Ramps Northbound				Co.Rd.36 / 53rd St NE Eastbound				Int. Total
	Left	Thru	Rght	Other	Left	Thru	Rght	Other	Left	Thru	Rght	Other	Left	Thru	Rght	Other	
16:45	0	0	0	0	0	45	6	0	19	0	22	0	87	15	0	0	194
Total	0	0	0	0	0	165	32	0	115	2	99	0	285	73	1	0	772
17:00	0	0	0	0	0	35	9	0	18	0	14	0	67	16	0	0	159
17:15	0	0	0	0	0	33	9	0	20	0	18	0	64	18	0	0	162
17:30	0	0	0	0	0	22	12	0	12	0	17	0	50	15	0	0	128
17:45	0	0	0	0	0	13	1	0	21	0	21	0	45	9	0	0	110
Total	0	0	0	0	0	103	31	0	71	0	70	0	226	58	0	0	559
Grand Total	0	0	0	2	1	1088	191	1	840	4	642	0	1644	514	4	0	4931
Apprch %	0	0	0	100	0.1	84.9	14.9	0.1	56.5	0.3	43.2	0	76	23.8	0.2	0	
Total %	0	0	0	0	0	22.1	3.9	0	17	0.1	13	0	33.3	10.4	0.1	0	
Vehicles	0	0	0	0	0	992	176	1	764	4	575	0	1512	478	4	0	4506
% Vehicles	0	0	0	0	0	91.2	92.1	100	91	100	89.6	0	92	93	100	0	91.4
Trucks	0	0	0	2	1	96	15	0	76	0	67	0	132	36	0	0	425
% Trucks	0	0	0	100	100	8.8	7.9	0	9	0	10.4	0	8	7	0	0	8.6

Alliant Engineering

Minneapolis, MN 55415

--TRAFFIC DATA --

TH-101 at 53rd St NE, EAST RAMPS

Ref.Pt.: 042.044

Alliant Eng.

TURN MOVEMENT COUNT

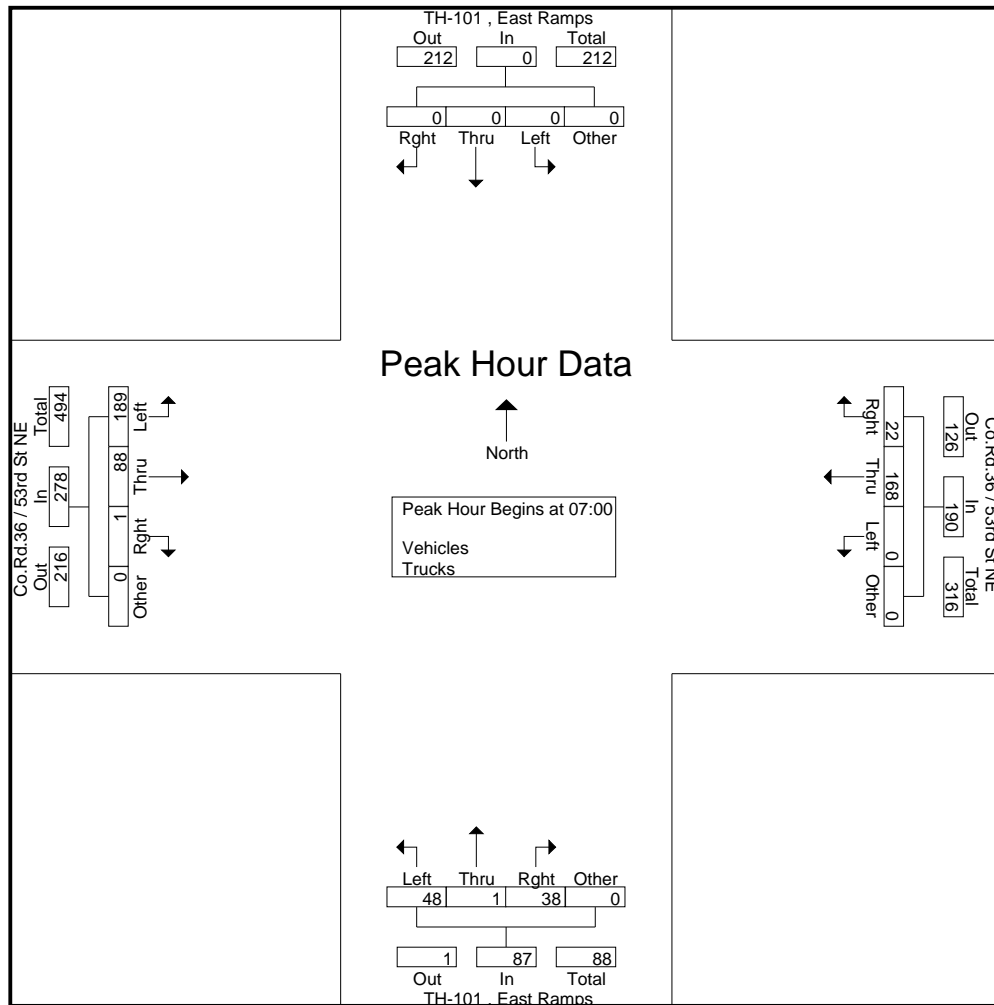
File Name : 102_TH 101 and CR 36 E Ramp

Site Code : 102

Start Date : 2/25/2016

Page No : 3

Start Time	TH-101 , East Ramps Southbound					Co.Rd.36 / 53rd St NE Westbound					TH-101 , East Ramps Northbound					Co.Rd.36 / 53rd St NE Eastbound					Int. Total
	Left	Thru	Right	Other	App. Total	Left	Thru	Right	Other	App. Total	Left	Thru	Right	Other	App. Total	Left	Thru	Right	Other	App. Total	
Peak Hour Analysis From 06:00 to 11:45 - Peak 1 of 1																					
Peak Hour for Entire Intersection Begins at 07:00																					
07:00	0	0	0	0	0	0	42	4	0	46	12	0	10	0	22	40	15	1	0	56	124
07:15	0	0	0	0	0	0	36	3	0	39	12	1	9	0	22	51	28	0	0	79	140
07:30	0	0	0	0	0	0	47	7	0	54	12	0	11	0	23	43	29	0	0	72	149
07:45	0	0	0	0	0	0	43	8	0	51	12	0	8	0	20	55	16	0	0	71	142
Total Volume	0	0	0	0	0	0	168	22	0	190	48	1	38	0	87	189	88	1	0	278	555
% App. Total	0	0	0	0	0	0	88.4	11.6	0		55.2	1.1	43.7	0		68	31.7	0.4	0		
PHF	.000	.000	.000	.000	.000	.000	.894	.688	.000	.880	1.00	.250	.864	.000	.946	.859	.759	.250	.000	.880	.931



Alliant Engineering

Minneapolis, MN 55415

--TRAFFIC DATA --

TH-101 at 53rd St NE, EAST RAMPS

Ref.Pt.: 042.044

Alliant Eng.

TURN MOVEMENT COUNT

File Name : 102_TH 101 and CR 36 E Ramp

Site Code : 102

Start Date : 2/25/2016

Page No : 4

Start Time	TH-101 , East Ramps Southbound					Co.Rd.36 / 53rd St NE Westbound					TH-101 , East Ramps Northbound					Co.Rd.36 / 53rd St NE Eastbound					Int. Total
	Left	Thru	Rght	Other	App. Total	Left	Thru	Rght	Other	App. Total	Left	Thru	Rght	Other	App. Total	Left	Thru	Rght	Other	App. Total	
Peak Hour Analysis From 12:00 to 17:45 - Peak 1 of 1																					
Peak Hour for Entire Intersection Begins at 16:00																					
16:00	0	0	0	0	0	0	28	13	0	41	39	1	27	0	67	56	19	0	0	75	183
16:15	0	0	0	0	0	0	38	6	0	44	24	0	22	0	46	61	17	0	0	78	168
16:30	0	0	0	0	0	0	54	7	0	61	33	1	28	0	62	81	22	1	0	104	227
16:45	0	0	0	0	0	0	45	6	0	51	19	0	22	0	41	87	15	0	0	102	194
Total Volume	0	0	0	0	0	0	165	32	0	197	115	2	99	0	216	285	73	1	0	359	772
% App. Total	0	0	0	0	0	0	83.8	16.2	0		53.2	0.9	45.8	0		79.4	20.3	0.3	0		
PHF	.000	.000	.000	.000	.000	.000	.764	.615	.000	.807	.737	.500	.884	.000	.806	.819	.830	.250	.000	.863	.850

