

Associated Consulting Services (ACS)
 Roseville, MN 55113
 -- TRAFFIC DATA --

TH-94 at 49th Ave [East ramp]
 Data Prepared By: ACS
 TURNING MOVEMENT COUNT

File Name : TH-94 at 49th Ave (East ramp)_2021
 Site Code :
 Start Date : 10/6/2021
 Page No : 1

Groups Printed- Cars - Trucks

Start Time	N. Lyndale Ave Southbound				Mississippi Dr Westbound				Off ramp from WB TH-94 Northbound				49th Ave Eastbound				Int. Total
	Left	Thru	Right	Peds	Left	Thru	Right	Peds	Left	Thru	Right	Peds	Left	Thru	Right	Peds	
06:00	0	0	0	0	0	0	0	0	17	5	0	0	13	0	0	0	35
06:15	0	0	0	0	0	0	0	0	18	5	1	0	12	1	0	0	37
06:30	0	0	0	0	0	2	0	0	24	6	0	0	18	0	0	0	50
06:45	0	0	0	0	0	0	0	0	42	11	0	0	27	0	0	0	80
Total	0	0	0	0	0	2	0	0	101	27	1	0	70	1	0	0	202
07:00	0	0	0	0	0	0	1	0	49	20	1	0	25	0	0	0	96
07:15	0	0	0	0	0	0	0	0	58	21	0	0	36	0	0	0	115
07:30	0	0	0	0	0	0	1	0	48	16	0	0	37	0	0	0	102
07:45	0	0	0	0	0	0	0	0	45	20	0	0	38	0	0	0	103
Total	0	0	0	0	0	0	2	0	200	77	1	0	136	0	0	0	416
08:00	0	0	0	0	0	1	0	0	52	18	0	0	34	1	0	0	106
08:15	0	0	0	0	0	1	1	0	58	27	0	0	22	2	0	0	111
08:30	0	0	0	0	0	3	0	0	56	21	3	0	26	1	0	0	110
08:45	0	0	0	0	0	0	0	0	52	15	1	0	37	1	0	0	106
Total	0	0	0	0	0	5	1	0	218	81	4	0	119	5	0	0	433
09:00	0	0	0	1	0	1	1	0	51	23	1	0	45	0	0	0	123
09:15	0	0	0	1	0	2	0	0	38	15	2	0	34	3	0	0	95
09:30	0	0	0	0	0	2	1	0	46	15	2	0	35	1	0	0	102
09:45	0	0	0	0	0	2	1	0	32	17	0	0	31	4	0	0	87
Total	0	0	0	2	0	7	3	0	167	70	5	0	145	8	0	0	407
10:00	0	0	0	0	0	0	0	0	40	20	1	0	39	0	0	0	100
10:15	0	0	0	0	0	4	1	0	47	15	2	0	62	4	0	0	135
10:30	0	0	0	1	0	1	1	0	34	16	0	0	55	1	0	0	109
10:45	0	0	0	2	0	2	2	0	47	13	1	0	49	1	0	0	117
Total	0	0	0	3	0	7	4	0	168	64	4	0	205	6	0	0	461
11:00	0	0	0	1	0	3	0	0	41	14	1	1	50	0	0	0	111
11:15	0	0	0	1	0	2	1	0	48	15	1	0	54	2	0	0	124
11:30	0	0	0	0	0	3	0	1	36	10	1	0	61	3	0	0	115
11:45	0	0	0	0	0	1	2	0	54	18	0	0	53	1	0	0	129
Total	0	0	0	2	0	9	3	1	179	57	3	1	218	6	0	0	479
12:00	0	0	0	0	0	2	0	0	55	15	0	0	37	2	0	0	111
12:15	0	0	0	1	0	2	1	0	53	25	2	0	34	2	0	0	120
12:30	0	0	0	6	0	3	1	0	50	11	1	0	40	1	0	0	113
12:45	0	0	0	0	0	0	0	0	48	13	0	1	42	0	0	0	104
Total	0	0	0	7	0	7	2	0	206	64	3	1	153	5	0	0	448
13:00	0	0	0	0	0	2	2	4	43	27	0	4	48	4	0	0	134
13:15	0	0	0	0	0	0	2	0	44	25	0	0	38	2	0	0	111
13:30	0	0	0	0	0	1	1	0	58	23	1	0	30	1	0	0	115
13:45	0	0	0	0	0	1	2	0	53	27	1	2	38	0	0	0	124
Total	0	0	0	0	0	4	7	4	198	102	2	6	154	7	0	0	484
14:00	0	0	0	0	0	0	0	0	52	33	1	0	26	0	0	0	112
14:15	0	0	0	0	0	2	2	0	59	40	0	0	62	3	0	0	168
14:30	0	0	0	0	0	2	2	0	59	31	0	0	64	3	0	0	161
14:45	0	0	0	0	0	0	1	0	57	39	0	0	59	1	0	0	157
Total	0	0	0	0	0	4	5	0	227	143	1	0	211	7	0	0	598

Associated Consulting Services (ACS)
 Roseville, MN 55113
 -- TRAFFIC DATA --

TH-94 at 49th Ave [East ramp]
 Data Prepared By: ACS
 TURNING MOVEMENT COUNT

File Name : TH-94 at 49th Ave (East ramp)_2021
 Site Code :
 Start Date : 10/6/2021
 Page No : 2

Groups Printed- Cars - Trucks

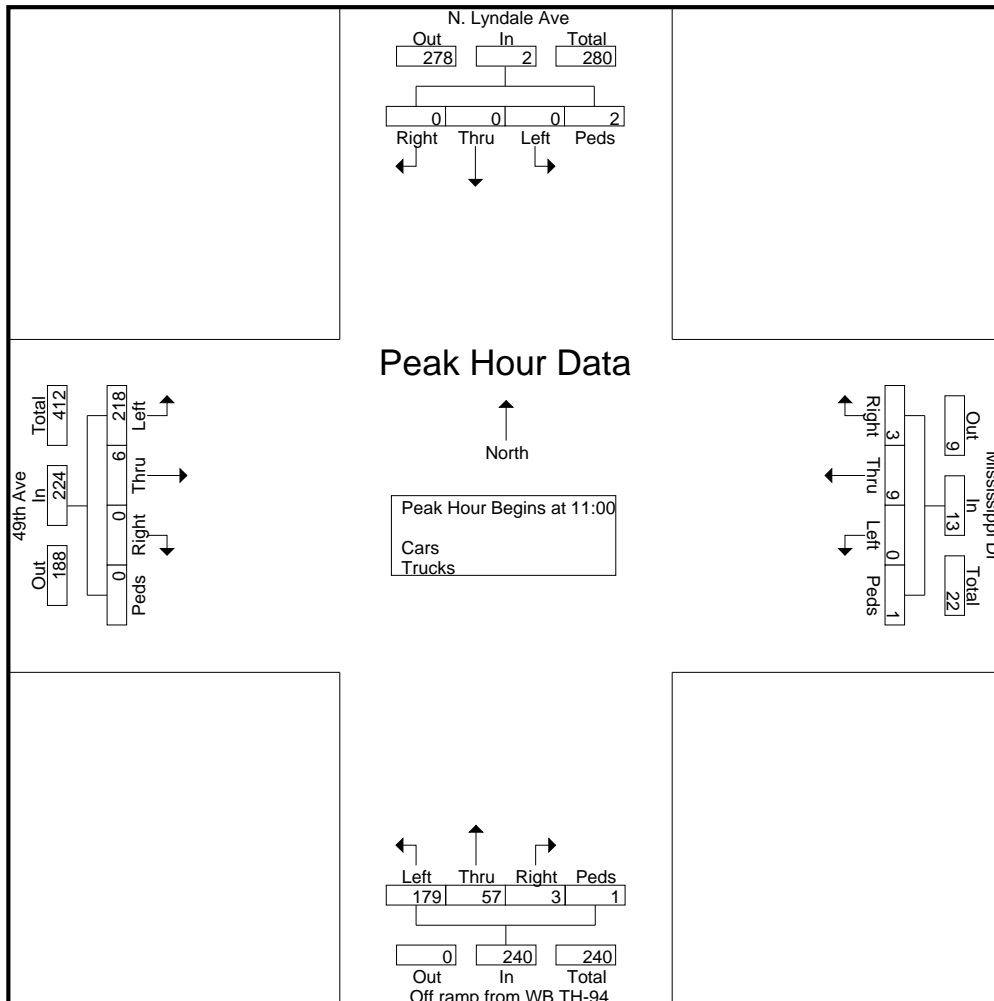
Start Time	N. Lyndale Ave Southbound				Mississippi Dr Westbound				Off ramp from WB TH-94 Northbound				49th Ave Eastbound				Int. Total
	Left	Thru	Right	Peds	Left	Thru	Right	Peds	Left	Thru	Right	Peds	Left	Thru	Right	Peds	
15:00	0	0	0	1	0	0	3	0	61	32	1	0	46	3	0	0	147
15:15	0	0	0	1	0	1	1	1	65	49	0	1	49	4	0	0	172
15:30	0	0	0	0	0	1	0	1	80	42	0	0	59	3	0	0	186
15:45	0	0	0	1	0	1	1	1	64	50	0	1	47	1	0	0	167
Total	0	0	0	3	0	3	5	3	270	173	1	2	201	11	0	0	672
16:00	0	0	0	0	0	1	1	0	66	34	1	0	56	1	0	0	160
16:15	0	0	0	0	0	4	0	1	67	62	1	1	55	1	0	0	192
16:30	0	0	0	0	0	2	3	0	63	35	2	0	53	3	0	0	161
16:45	0	0	0	1	0	2	2	1	76	45	2	0	42	0	0	0	171
Total	0	0	0	1	0	9	6	2	272	176	6	1	206	5	0	0	684
17:00	0	0	0	5	0	2	1	3	69	45	0	0	28	1	0	0	154
17:15	0	0	0	1	0	1	1	0	60	48	1	0	35	3	0	0	150
17:30	0	0	0	2	0	1	0	0	59	48	1	0	43	4	0	0	158
17:45	0	0	0	2	0	0	1	1	65	40	1	0	46	0	0	0	156
Total	0	0	0	10	0	4	3	4	253	181	3	0	152	8	0	0	618
Grand Total	0	0	0	28	0	61	41	14	2459	1215	34	11	1970	69	0	0	5902
Apprch %	0	0	0	100	0	52.6	35.3	12.1	66.1	32.7	0.9	0.3	96.6	3.4	0	0	
Total %	0	0	0	0.5	0	1	0.7	0.2	41.7	20.6	0.6	0.2	33.4	1.2	0	0	
Cars	0	0	0	28	0	60	40	14	2154	1175	33	11	1733	67	0	0	5315
% Cars	0	0	0	100	0	98.4	97.6	100	87.6	96.7	97.1	100	88	97.1	0	0	90.1
Trucks	0	0	0	0	0	1	1	0	305	40	1	0	237	2	0	0	587
% Trucks	0	0	0	0	0	1.6	2.4	0	12.4	3.3	2.9	0	12	2.9	0	0	9.9

Associated Consulting Services (ACS)
 Roseville, MN 55113
 -- TRAFFIC DATA --

TH-94 at 49th Ave [East ramp]
 Data Prepared By: ACS
 TURNING MOVEMENT COUNT

File Name : TH-94 at 49th Ave (East ramp)_2021
 Site Code :
 Start Date : 10/6/2021
 Page No : 3

Start Time	N. Lyndale Ave Southbound					Mississippi Dr Westbound					Off ramp from WB TH-94 Northbound					49th Ave Eastbound					Int. Total
	Left	Thru	Right	Peds	App. Total	Left	Thru	Right	Peds	App. Total	Left	Thru	Right	Peds	App. Total	Left	Thru	Right	Peds	App. Total	
Peak Hour Analysis From 06:00 to 11:45 - Peak 1 of 1																					
Peak Hour for Entire Intersection Begins at 11:00																					
11:00	0	0	0	1	1	0	3	0	0	3	41	14	1	1	57	50	0	0	0	50	111
11:15	0	0	0	1	1	0	2	1	0	3	48	15	1	0	64	54	2	0	0	56	124
11:30	0	0	0	0	0	0	3	0	1	4	36	10	1	0	47	61	3	0	0	64	115
11:45	0	0	0	0	0	0	1	2	0	3	54	18	0	0	72	53	1	0	0	54	129
Total Volume	0	0	0	2	2	0	9	3	1	13	179	57	3	1	240	218	6	0	0	224	479
% App. Total	0	0	0	100		0	69.2	23.1	7.7		74.6	23.8	1.2	0.4		97.3	2.7	0	0		
PHF	.000	.000	.000	.500	.500	.000	.750	.375	.250	.813	.829	.792	.750	.250	.833	.893	.500	.000	.000	.875	.928



Associated Consulting Services (ACS)
 Roseville, MN 55113
 -- TRAFFIC DATA --

TH-94 at 49th Ave [East ramp]
 Data Prepared By: ACS
 TURNING MOVEMENT COUNT

File Name : TH-94 at 49th Ave (East ramp)_2021
 Site Code :
 Start Date : 10/6/2021
 Page No : 4

Start Time	N. Lyndale Ave Southbound					Mississippi Dr Westbound					Off ramp from WB TH-94 Northbound					49th Ave Eastbound					Int. Total
	Left	Thru	Right	Peds	App. Total	Left	Thru	Right	Peds	App. Total	Left	Thru	Right	Peds	App. Total	Left	Thru	Right	Peds	App. Total	
Peak Hour Analysis From 12:00 to 17:45 - Peak 1 of 1																					
Peak Hour for Entire Intersection Begins at 15:30																					
15:30	0	0	0	0	0	0	1	0	1	2	80	42	0	0	122	59	3	0	0	62	186
15:45	0	0	0	1	1	0	1	1	1	3	64	50	0	1	115	47	1	0	0	48	167
16:00	0	0	0	0	0	0	1	1	0	2	66	34	1	0	101	56	1	0	0	57	160
16:15	0	0	0	0	0	0	4	0	1	5	67	62	1	1	131	55	1	0	0	56	192
Total Volume	0	0	0	1	1	0	7	2	3	12	277	188	2	2	469	217	6	0	0	223	705
% App. Total	0	0	0	100		0	58.3	16.7	25		59.1	40.1	0.4	0.4		97.3	2.7	0	0		
PHF	.000	.000	.000	.250	.250	.000	.438	.500	.750	.600	.866	.758	.500	.500	.895	.919	.500	.000	.000	.899	.918

