

Albeck Gerken, Inc

Transportation Engineers

Traffic Data Collection

TH-47 / University Ave at I-694, N ramps

File Name : TH-47 at I-694 North ramps 2008

Ref.Pt.: 007.754

Site Code : 01828172

Data by: Albeck Gerken Inc

Start Date : 7/15/2008

TURN MOVEMENT COUNT

Page No : 1

Groups Printed- Unshifted

Start Time	TH-47 / University Avenue Southbound				ramp from WB I-694 Westbound				TH-47 / University Avenue Northbound				ramp to WB I-694 Eastbound				Int. Total
	Left	Thru	Right	Peds	Left	Thru	Right	Peds	Left	Thru	Right	Peds	Left	Thru	Right	Peds	
06:00	0	127	165	0	32	0	44	0	66	96	0	0	0	0	0	0	530
06:15	0	146	177	0	35	1	41	0	60	112	0	0	0	0	0	0	572
06:30	0	268	242	0	28	0	60	0	96	153	0	0	0	0	0	0	847
06:45	0	222	199	0	49	0	67	0	66	187	0	0	0	0	0	0	790
Total	0	763	783	0	144	1	212	0	288	548	0	0	0	0	0	0	2739
07:00	0	226	231	0	33	0	40	0	69	150	0	0	0	0	0	2	751
07:15	0	265	247	0	40	0	37	1	60	158	0	0	0	0	0	0	808
07:30	0	251	210	0	18	2	32	2	95	190	0	0	0	0	0	0	800
07:45	0	250	232	0	24	0	30	0	73	239	0	0	0	0	0	0	848
Total	0	992	920	0	115	2	139	3	297	737	0	0	0	0	0	2	3207
08:00	0	226	205	0	22	0	43	3	1	167	0	0	0	0	0	0	667
08:15	0	196	200	0	15	0	48	0	78	183	0	0	0	0	0	0	720
08:30	0	166	150	0	24	1	48	0	74	186	0	0	0	0	0	0	649
08:45	0	126	121	0	36	1	88	0	58	163	0	0	0	0	0	0	593
Total	0	714	676	0	97	2	227	3	211	699	0	0	0	0	0	0	2629
*** BREAK ***																	
11:00	0	102	110	0	37	0	69	1	48	180	0	0	0	0	0	0	547
11:15	0	164	165	0	31	0	78	0	61	221	0	0	0	0	0	0	720
11:30	0	136	149	1	29	0	61	0	65	228	0	0	0	0	0	0	669
11:45	0	134	144	0	24	1	70	1	36	215	0	0	0	0	0	1	626
Total	0	536	568	1	121	1	278	2	210	844	0	0	0	0	0	1	2562
12:00	0	169	138	0	35	0	54	0	62	238	0	0	0	0	0	0	696
12:15	0	162	172	0	28	0	68	0	72	225	0	0	0	0	0	0	727
12:30	0	158	155	0	17	0	79	1	62	261	0	0	0	0	0	0	733
12:45	0	164	136	0	32	0	79	0	50	221	0	0	0	0	0	0	682
Total	0	653	601	0	112	0	280	1	246	945	0	0	0	0	0	0	2838
*** BREAK ***																	
15:00	0	152	179	1	25	1	83	0	69	302	0	0	0	0	0	0	812
15:15	0	139	153	0	27	0	74	0	74	337	0	0	0	0	0	0	804
15:30	0	175	193	0	23	0	60	0	88	295	0	0	0	0	0	1	835
15:45	0	167	155	0	27	0	61	0	72	389	0	0	0	0	0	0	871
Total	0	633	680	1	102	1	278	0	303	1323	0	0	0	0	0	1	3322
16:00	0	145	150	0	21	1	59	1	83	402	0	0	0	0	0	0	862
16:15	0	141	156	0	22	0	55	0	83	415	0	0	0	0	0	0	872
16:30	0	156	172	19	32	0	66	0	66	394	0	0	0	0	0	0	905
16:45	0	169	170	0	32	0	63	1	117	406	0	0	0	0	0	0	958
Total	0	611	648	19	107	1	243	2	349	1617	0	0	0	0	0	0	3597
17:00	0	159	176	0	25	1	63	2	75	368	0	0	0	0	0	0	869
17:15	0	140	193	0	24	0	55	1	74	428	0	0	0	0	0	1	916
17:30	0	122	137	0	35	0	69	1	65	414	0	0	0	0	0	0	843
17:45	0	115	136	0	39	0	70	0	69	395	0	0	0	0	0	0	824
Total	0	536	642	0	123	1	257	4	283	1605	0	0	0	0	0	1	3452
Grand Total	0	5438	5518	21	921	9	1914	15	2187	8318	0	0	0	0	0	5	24346
Apprch %	0	49.5	50.3	0.2	32.2	0.3	66.9	0.5	20.8	79.2	0	0	0	0	0	100	
Total %	0	22.3	22.7	0.1	3.8	0	7.9	0.1	9	34.2	0	0	0	0	0	0	

Albeck Gerken, Inc

Transportation Engineers

Traffic Data Collection

TH-47 / University Ave at I-694, N ramps

File Name : TH-47 at I-694 North ramps 2008

Ref.Pt.: 007.754

Site Code : 01828172

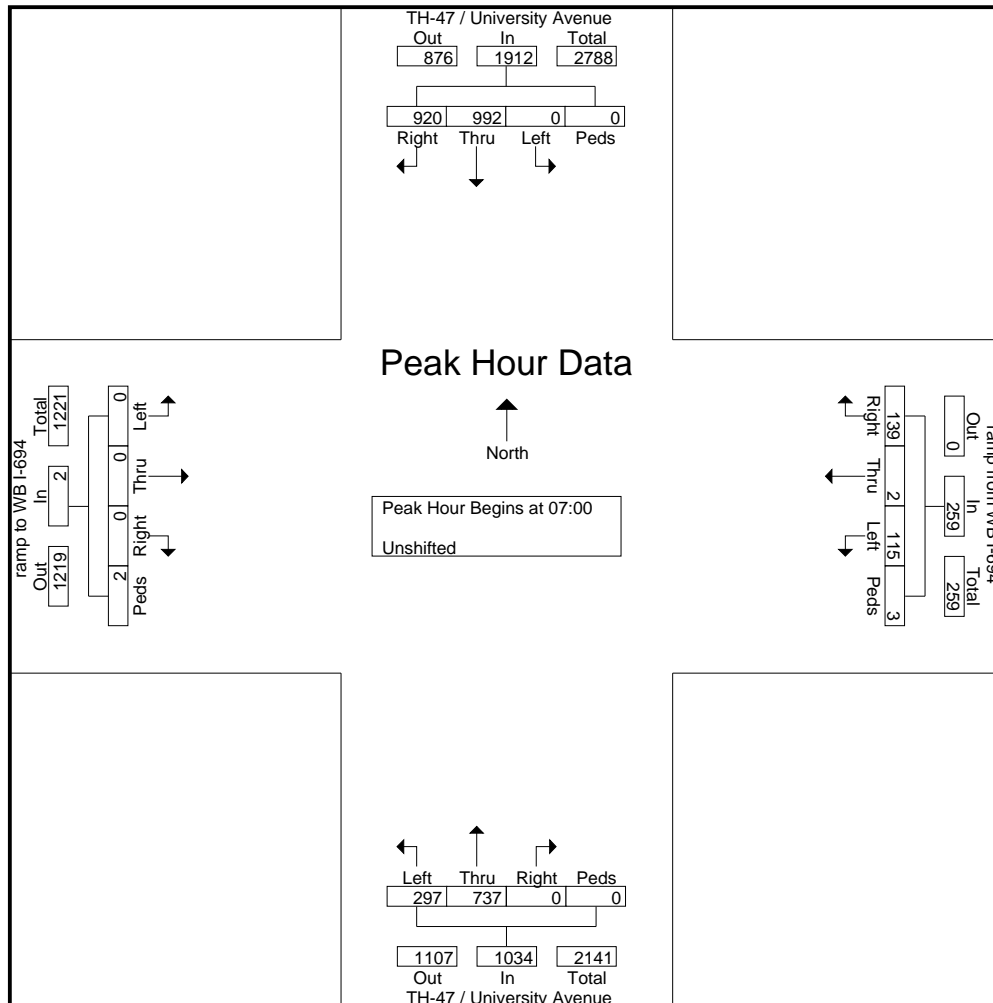
Data by: Albeck Gerken Inc

Start Date : 7/15/2008

TURN MOVEMENT COUNT

Page No : 2

Start Time	TH-47 / University Avenue Southbound					ramp from WB I-694 Westbound					TH-47 / University Avenue Northbound					ramp to WB I-694 Eastbound					Int. Total
	Left	Thru	Right	Peds	App. Total	Left	Thru	Right	Peds	App. Total	Left	Thru	Right	Peds	App. Total	Left	Thru	Right	Peds	App. Total	
Peak Hour Analysis From 06:00 to 08:45 - Peak 1 of 1																					
Peak Hour for Entire Intersection Begins at 07:00																					
07:00	0	226	231	0	457	33	0	40	0	73	69	150	0	0	219	0	0	0	2	2	751
07:15	0	265	247	0	512	40	0	37	1	78	60	158	0	0	218	0	0	0	0	0	808
07:30	0	251	210	0	461	18	2	32	2	54	95	190	0	0	285	0	0	0	0	0	800
07:45	0	250	232	0	482	24	0	30	0	54	73	239	0	0	312	0	0	0	0	0	848
Total Volume	0	992	920	0	1912	115	2	139	3	259	297	737	0	0	1034	0	0	0	2	2	3207
% App. Total	0	51.9	48.1	0		44.4	0.8	53.7	1.2		28.7	71.3	0	0		0	0	0	100		
PHF	.000	.936	.931	.000	.934	.719	.250	.869	.375	.830	.782	.771	.000	.000	.829	.000	.000	.000	.250	.250	.945



Albeck Gerken, Inc

Transportation Engineers

Traffic Data Collection

TH-47 / University Ave at I-694, N ramps

File Name : TH-47 at I-694 North ramps 2008

Ref.Pt.: 007.754

Site Code : 01828172

Data by: Albeck Gerken Inc

Start Date : 7/15/2008

TURN MOVEMENT COUNT

Page No : 3

Start Time	TH-47 / University Avenue Southbound					ramp from WB I-694 Westbound					TH-47 / University Avenue Northbound					ramp to WB I-694 Eastbound					Int. Total
	Left	Thru	Right	Peds	App. Total	Left	Thru	Right	Peds	App. Total	Left	Thru	Right	Peds	App. Total	Left	Thru	Right	Peds	App. Total	
Peak Hour Analysis From 15:00 to 17:45 - Peak 1 of 1																					
Peak Hour for Entire Intersection Begins at 16:30																					
16:30	0	156	172	19	347	32	0	66	0	98	66	394	0	0	460	0	0	0	0	0	905
16:45	0	169	170	0	339	32	0	63	1	96	117	406	0	0	523	0	0	0	0	0	958
17:00	0	159	176	0	335	25	1	63	2	91	75	368	0	0	443	0	0	0	0	0	869
17:15	0	140	193	0	333	24	0	55	1	80	74	428	0	0	502	0	0	0	1	1	916
Total Volume	0	624	711	19	1354	113	1	247	4	365	332	1596	0	0	1928	0	0	0	1	1	3648
% App. Total	0	46.1	52.5	1.4		31	0.3	67.7	1.1		17.2	82.8	0	0		0	0	0	100		
PHF	.000	.923	.921	.250	.976	.883	.250	.936	.500	.931	.709	.932	.000	.000	.922	.000	.000	.000	.250	.250	.952

