

ALLIANT ENGINEERING, INC.

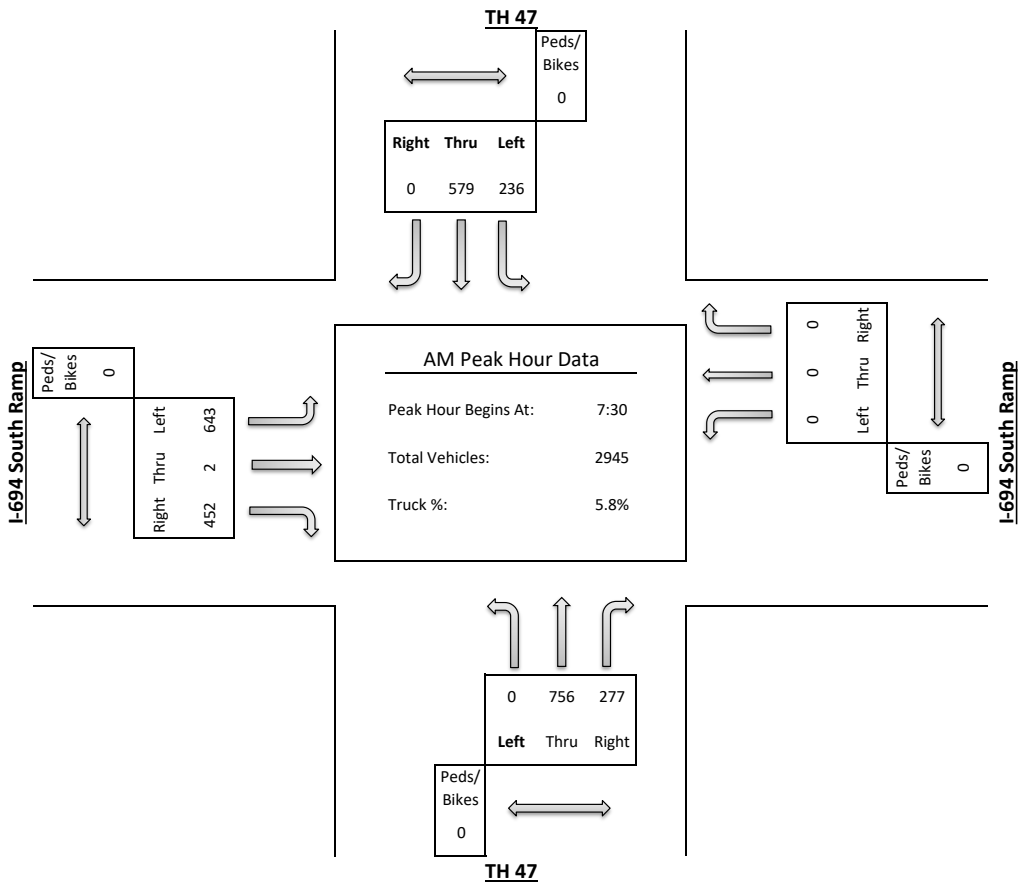
733 S Marquette Ave #700, Minneapolis, MN 55402

Intersection: TH 47 & I-694 South Ramp
 Date: 3/19/2024
 Duration: 0600-1800

Site Code: 606
 Ref Pt: N/A
 Page No: 2 of 4

All Vehicles (Cars & Trucks) Printed

Start Time	TH 47 Southbound						I-694 South Ramp Westbound						TH 47 Northbound						I-694 South Ramp Eastbound						Int. Veh. Total	Int. Ped/Bike Total
	U-Turn	Left	Thru	Right	App. Total	Peds/Bikes	U-Turn	Left	Thru	Right	App. Total	Peds/Bikes	U-Turn	Left	Thru	Right	App. Total	Peds/Bikes	U-Turn	Left	Thru	Right	App. Total	Peds/Bikes		
7:30	--	65	155	--	220	--	--	--	--	--	0	--	--	--	208	84	292	--	--	153	1	128	282	--	794	--
7:45	--	71	172	--	243	--	--	--	--	--	0	--	--	--	217	74	291	--	--	171	1	131	303	--	837	--
8:00	1	48	125	--	174	--	--	--	--	--	0	--	--	--	173	55	228	--	--	169	--	105	274	--	676	--
8:15	--	51	127	--	178	--	--	--	--	--	0	--	--	--	158	64	222	--	--	150	--	88	238	--	638	--
Hour Total	1	235	579	--	815	--	--	--	--	--	--	--	--	--	756	277	1033	--	--	643	2	452	1097	--	2945	--
% of App.	0.1%	28.8%	71.0%	0.0%			0.0%	0.0%	0.0%	0.0%			0.0%	0.0%	73.2%	26.8%			0.0%	58.6%	0.2%	41.2%				
% of Total	0.0%	8.0%	19.7%	0.0%	27.7%	--	0.0%	0.0%	0.0%	0.0%	0.0%	--	0.0%	0.0%	25.7%	9.4%	35.1%	--	0.0%	21.8%	0.1%	15.3%	37.2%	--		
Cars Total	1	217	539	--	757	--	--	--	--	--	0	--	--	--	725	257	982	--	--	615	2	418	1035	--	2774	--
Cars % of Movement	100%	92.3%	93.1%	0.0%	92.9%	--	0.0%	0.0%	0.0%	0.0%	0.0%	--	0.0%	0.0%	95.9%	92.8%	95.1%	--	0.0%	95.6%	100%	92.5%	94.3%	--	94.2%	--
Trucks Total	--	18	40	--	58	--	--	--	--	--	0	--	--	--	31	20	51	--	--	28	--	34	62	--	171	--
Trucks % of Movement	0.0%	7.7%	6.9%	0.0%	7.1%	--	0.0%	0.0%	0.0%	0.0%	0.0%	--	0.0%	0.0%	4.1%	7.2%	4.9%	--	0.0%	4.4%	0.0%	7.5%	5.7%	--	5.8%	--



ALLIANT ENGINEERING, INC.

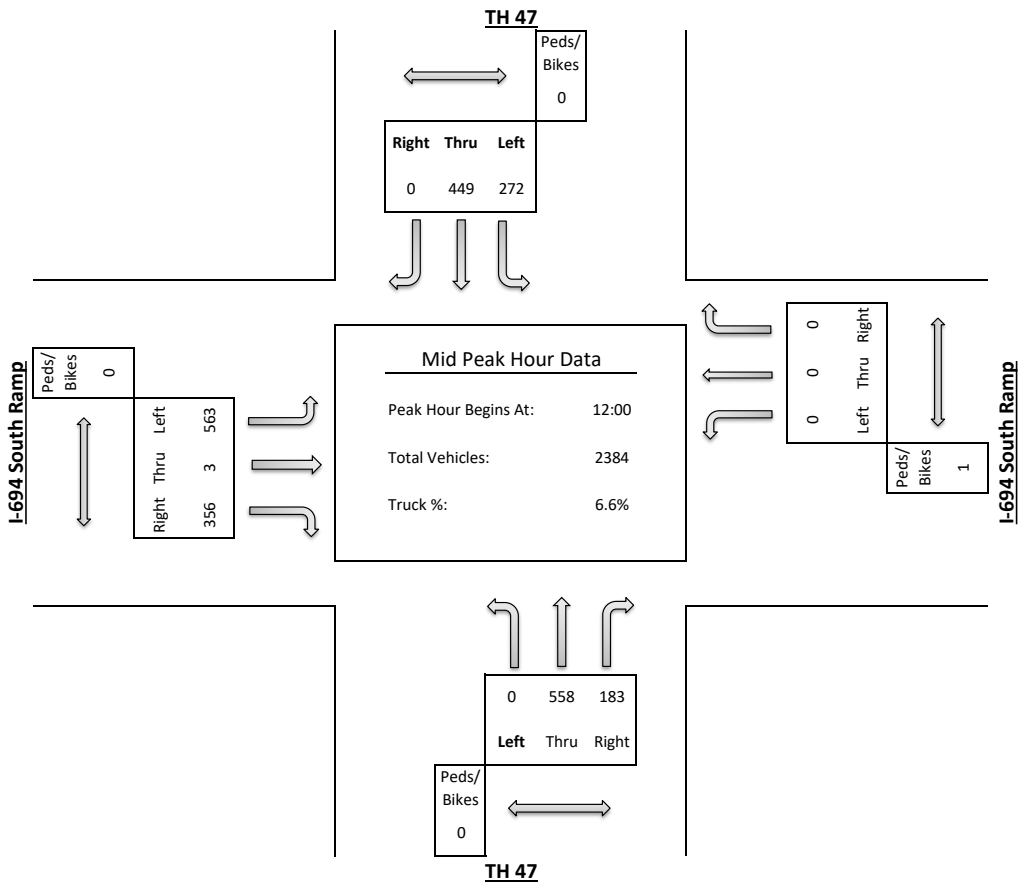
733 S Marquette Ave #700, Minneapolis, MN 55402

Intersection: TH 47 & I-694 South Ramp
 Date: 3/19/2024
 Duration: 0600-1800

Site Code: 606
 Ref Pt: N/A
 Page No: 3 of 4

All Vehicles (Cars & Trucks) Printed

Start Time	TH 47 Southbound						I-694 South Ramp Westbound						TH 47 Northbound						I-694 South Ramp Eastbound						Int. Veh. Total	Int. Ped/Bike Total
	U-Turn	Left	Thru	Right	App. Total	Peds/Bikes	U-Turn	Left	Thru	Right	App. Total	Peds/Bikes	U-Turn	Left	Thru	Right	App. Total	Peds/Bikes	U-Turn	Left	Thru	Right	App. Total	Peds/Bikes		
12:00	--	68	107	--	175	--	--	--	--	--	0	--	--	--	134	48	182	--	--	133	--	81	214	--	571	--
12:15	--	71	120	--	191	--	--	--	--	--	0	--	--	--	146	39	185	--	--	142	--	77	219	--	595	--
12:30	--	61	103	--	164	--	--	--	--	--	0	--	--	--	136	38	174	--	--	156	1	92	249	--	587	--
12:45	2	70	119	--	191	--	--	--	--	--	0	1	--	--	142	58	200	--	--	132	2	106	240	--	631	1
Hour Total	2	270	449	--	721	--	--	--	--	--	--	1	--	--	558	183	741	--	--	563	3	356	922	--	2384	1
% of App.	0.3%	37.4%	62.3%	0.0%			0.0%	0.0%	0.0%	0.0%			0.0%	0.0%	75.3%	24.7%			0.0%	61.1%	0.3%	38.6%				
% of Total	0.1%	11.3%	18.8%	0.0%	30.2%	0.0%	0.0%	0.0%	0.0%	0.0%	0.0%	#####	0.0%	0.0%	23.4%	7.7%	31.1%	0.0%	0.0%	23.6%	0.1%	14.9%	38.7%	0.0%		
Cars Total	2	254	416	--	672	--	--	--	--	--	0	1	--	--	528	159	687	--	--	539	3	326	868	--	2227	1
Cars % of Movement	100%	94.1%	92.7%	0.0%	93.2%	0.0%	0.0%	0.0%	0.0%	0.0%	0.0%	#####	0.0%	0.0%	94.6%	86.9%	92.7%	0.0%	0.0%	95.7%	100%	91.6%	94.1%	0.0%	93.4%	
Trucks Total	--	16	33	--	49	--	--	--	--	--	0	--	--	--	30	24	54	--	--	24	--	30	54	--	157	--
Trucks % of Movement	0.0%	5.9%	7.3%	0.0%	6.8%	--	0.0%	0.0%	0.0%	0.0%	0.0%	--	0.0%	0.0%	5.4%	13.1%	7.3%	--	0.0%	4.3%	0.0%	8.4%	5.9%	--	6.6%	



ALLIANT ENGINEERING, INC.

733 S Marquette Ave #700, Minneapolis, MN 55402

Intersection: TH 47 & I-694 South Ramp
 Date: 3/19/2024
 Duration: 0600-1800

Site Code: 606
 Ref Pt: N/A
 Page No: 4 of 4

All Vehicles (Cars & Trucks) Printed

Start Time	TH 47 Southbound						I-694 South Ramp Westbound						TH 47 Northbound						I-694 South Ramp Eastbound						Int. Veh. Total	Int. Ped/Bike Total
	U-Turn	Left	Thru	Right	App. Total	Peds/Bikes	U-Turn	Left	Thru	Right	App. Total	Peds/Bikes	U-Turn	Left	Thru	Right	App. Total	Peds/Bikes	U-Turn	Left	Thru	Right	App. Total	Peds/Bikes		
14:45	--	85	144	--	229	--	--	--	--	--	0	--	--	--	223	76	299	--	--	193	--	100	293	--	821	--
15:00	1	78	127	--	206	--	--	--	--	--	0	--	--	--	193	82	275	--	--	196	1	117	314	--	795	--
15:15	--	71	177	--	248	--	--	--	--	--	0	--	--	--	206	74	280	--	--	186	--	120	306	--	834	--
15:30	--	86	162	--	248	--	--	--	--	--	0	--	--	--	241	112	353	--	--	171	--	95	266	--	867	--
Hour Total	1	320	610	--	931	--	--	--	--	--	--	--	--	--	863	344	1207	--	--	746	1	432	1179	--	3317	--
% of App.	0.1%	34.4%	65.5%	0.0%			0.0%	0.0%	0.0%	0.0%			0.0%	0.0%	71.5%	28.5%			0.0%	63.3%	0.1%	36.6%				
% of Total	0.0%	9.6%	18.4%	0.0%	28.1%	--	0.0%	0.0%	0.0%	0.0%	0.0%	--	0.0%	0.0%	26.0%	10.4%	36.4%	--	0.0%	22.5%	0.0%	13.0%	35.5%	--		
Cars Total	1	309	589	--	899	--	--	--	--	--	0	--	--	--	835	318	1153	--	--	729	1	408	1138	--	3190	--
Cars % of Movement	100%	96.6%	96.6%	0.0%	96.6%	--	0.0%	0.0%	0.0%	0.0%	0.0%	--	0.0%	0.0%	96.8%	92.4%	95.5%	--	0.0%	97.7%	100%	94.4%	96.5%	--	96.2%	--
Trucks Total	--	11	21	--	32	--	--	--	--	--	0	--	--	--	28	26	54	--	--	17	--	24	41	--	127	--
Trucks % of Movement	0.0%	3.4%	3.4%	0.0%	3.4%	--	0.0%	0.0%	0.0%	0.0%	0.0%	--	0.0%	0.0%	3.2%	7.6%	4.5%	--	0.0%	2.3%	0.0%	5.6%	3.5%	--	3.8%	--

