

Albeck Gerken, Inc

Transportation Engineers

Traffic Data Collection

Plymouth Rd at Ridgedale Drive
 Ref.Pt.: Minnetonka
 Data by: Albeck Gerken Inc
 TURN MOVEMENT COUNT

File Name : Plymouth Rd at Ridgedale Dr 2007
 Site Code : 01827122
 Start Date : 4/12/2007
 Page No : 1

Groups Printed- Unshifted

Start Time	Plymouth Rd Southbound				Ridgedale Drive Westbound				Plymouth Rd Northbound				Ridgedale Drive Eastbound				Int. Total
	Left	Thru	Right	Peds	Left	Thru	Right	Peds	Left	Thru	Right	Peds	Left	Thru	Right	Peds	
06:00	5	9	0	0	4	0	1	0	2	14	7	0	1	1	1	0	45
06:15	5	12	2	0	5	5	2	0	2	12	10	0	1	4	3	0	63
06:30	5	20	1	0	7	6	6	0	1	33	15	0	4	4	0	0	102
06:45	9	27	5	0	8	4	12	1	6	40	29	1	2	4	1	0	149
Total	24	68	8	0	24	15	21	1	11	99	61	1	8	13	5	0	359
07:00	9	33	1	0	14	8	9	0	9	49	37	0	4	8	5	0	186
07:15	5	49	5	0	15	4	11	0	15	52	31	0	4	4	7	0	202
07:30	9	39	2	0	28	12	18	0	17	53	42	0	10	13	7	0	250
07:45	17	52	2	0	15	9	15	0	16	72	42	0	5	6	8	0	259
Total	40	173	10	0	72	33	53	0	57	226	152	0	23	31	27	0	897
08:00	26	55	3	0	15	11	12	0	21	58	32	0	7	11	5	0	256
08:15	38	46	5	0	13	11	13	0	17	49	32	0	8	12	4	0	248
08:30	23	54	8	0	15	8	9	0	24	52	33	0	12	15	2	0	255
08:45	36	34	8	0	15	16	15	0	19	62	48	0	11	12	8	0	284
Total	123	189	24	0	58	46	49	0	81	221	145	0	38	50	19	0	1043
*** BREAK ***																	
11:00	42	29	11	0	28	31	31	1	37	48	32	1	19	20	7	0	337
11:15	35	23	25	0	43	36	51	0	30	52	31	0	19	24	13	0	382
11:30	44	41	11	1	39	47	45	1	37	59	43	0	36	28	28	0	460
11:45	41	41	19	0	41	63	40	0	34	50	27	1	22	23	29	0	431
Total	162	134	66	1	151	177	167	2	138	209	133	2	96	95	77	0	1610
12:00	33	31	22	0	41	53	56	0	19	56	23	0	33	31	25	0	423
12:15	37	42	26	0	47	43	61	1	28	63	28	0	28	36	37	0	477
12:30	34	57	16	2	48	45	74	1	34	47	27	0	30	34	47	2	498
12:45	17	47	14	0	53	37	61	0	17	70	36	0	30	40	44	0	466
Total	121	177	78	2	189	178	252	2	98	236	114	0	121	141	153	2	1864
*** BREAK ***																	
16:00	17	58	6	0	57	44	37	0	33	73	28	0	21	33	30	0	437
16:15	30	57	10	0	47	31	23	0	39	72	35	0	13	24	38	0	419
16:30	20	60	9	0	56	31	49	0	24	71	31	0	28	28	41	0	448
16:45	35	53	13	0	56	41	24	0	32	92	42	0	13	19	46	0	466
Total	102	228	38	0	216	147	133	0	128	308	136	0	75	104	155	0	1770
17:00	27	79	7	0	66	41	27	0	27	76	43	0	27	28	52	0	500
17:15	34	78	14	0	72	44	36	0	44	76	36	0	17	25	42	0	518
17:30	29	56	5	0	53	47	35	0	39	83	37	0	25	23	43	0	475
17:45	17	63	10	0	60	47	32	0	26	68	46	0	12	33	50	0	464
Total	107	276	36	0	251	179	130	0	136	303	162	0	81	109	187	0	1957
Grand Total	679	1245	260	3	961	775	805	5	649	1602	903	3	442	543	623	2	9500
Apprch %	31	56.9	11.9	0.1	37.7	30.4	31.6	0.2	20.6	50.7	28.6	0.1	27.5	33.7	38.7	0.1	
Total %	7.1	13.1	2.7	0	10.1	8.2	8.5	0.1	6.8	16.9	9.5	0	4.7	5.7	6.6	0	

Albeck Gerken, Inc

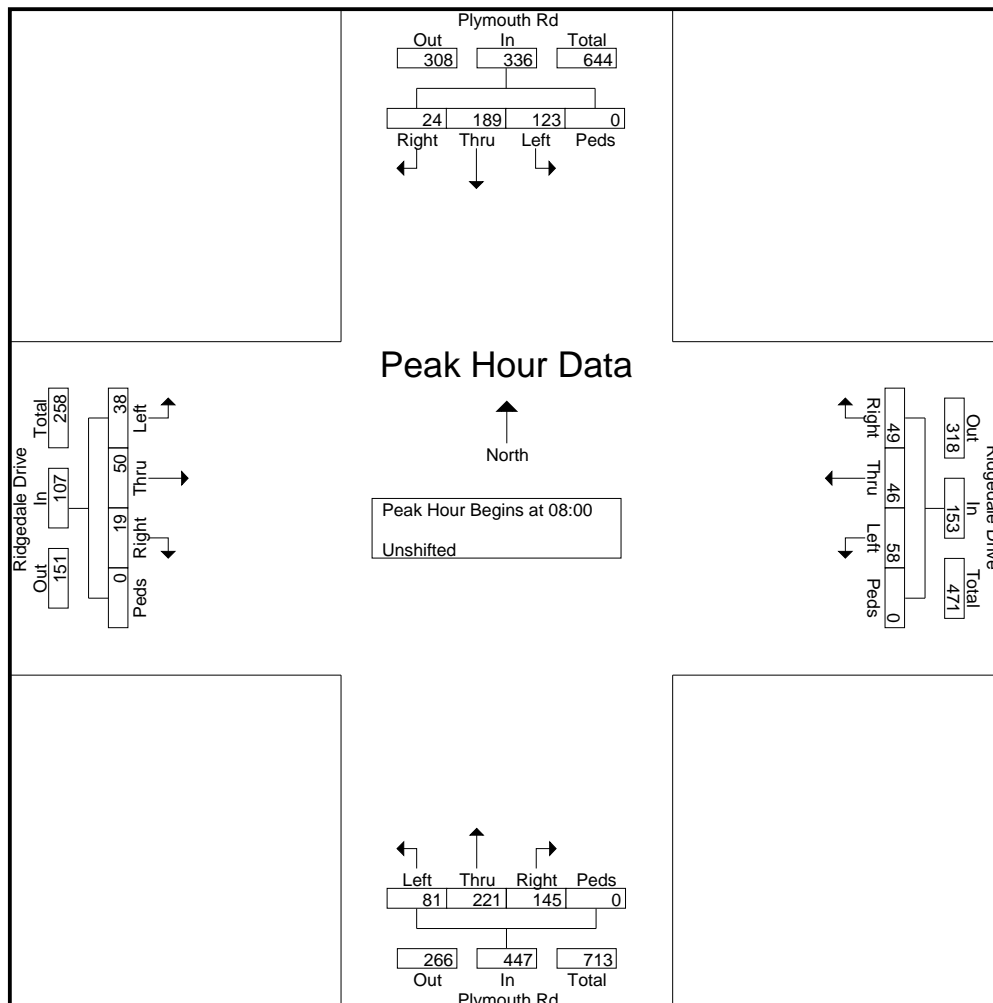
Transportation Engineers

Traffic Data Collection

Plymouth Rd at Ridgedale Drive
 Ref.Pt.: Minnetonka
 Data by: Albeck Gerken Inc
 TURN MOVEMENT COUNT

File Name : Plymouth Rd at Ridgedale Dr 2007
 Site Code : 01827122
 Start Date : 4/12/2007
 Page No : 2

Start Time	Plymouth Rd Southbound					Ridgedale Drive Westbound					Plymouth Rd Northbound					Ridgedale Drive Eastbound					Int. Total
	Left	Thru	Right	Peds	App. Total	Left	Thru	Right	Peds	App. Total	Left	Thru	Right	Peds	App. Total	Left	Thru	Right	Peds	App. Total	
Peak Hour Analysis From 06:00 to 09:00 - Peak 1 of 1																					
Peak Hour for Entire Intersection Begins at 08:00																					
08:00	26	55	3	0	84	15	11	12	0	38	21	58	32	0	111	7	11	5	0	23	256
08:15	38	46	5	0	89	13	11	13	0	37	17	49	32	0	98	8	12	4	0	24	248
08:30	23	54	8	0	85	15	8	9	0	32	24	52	33	0	109	12	15	2	0	29	255
08:45	36	34	8	0	78	15	16	15	0	46	19	62	48	0	129	11	12	8	0	31	284
Total Volume	123	189	24	0	336	58	46	49	0	153	81	221	145	0	447	38	50	19	0	107	1043
% App. Total	36.6	56.2	7.1	0		37.9	30.1	32	0		18.1	49.4	32.4	0		35.5	46.7	17.8	0		
PHF	.809	.859	.750	.000	.944	.967	.719	.817	.000	.832	.844	.891	.755	.000	.866	.792	.833	.594	.000	.863	.918



Albeck Gerken, Inc

Transportation Engineers

Traffic Data Collection

Plymouth Rd at Ridgedale Drive

Ref.Pt.: Minnetonka

Data by: Albeck Gerken Inc

TURN MOVEMENT COUNT

File Name : Plymouth Rd at Ridgedale Dr 2007

Site Code : 01827122

Start Date : 4/12/2007

Page No : 3

Start Time	Plymouth Rd Southbound					Ridgedale Drive Westbound					Plymouth Rd Northbound					Ridgedale Drive Eastbound					Int. Total
	Left	Thru	Right	Peds	App. Total	Left	Thru	Right	Peds	App. Total	Left	Thru	Right	Peds	App. Total	Left	Thru	Right	Peds	App. Total	
Peak Hour Analysis From 15:00 to 17:45 - Peak 1 of 1																					
Peak Hour for Entire Intersection Begins at 16:45																					
16:45	35	53	13	0	101	56	41	24	0	121	32	92	42	0	166	13	19	46	0	78	466
17:00	27	79	7	0	113	66	41	27	0	134	27	76	43	0	146	27	28	52	0	107	500
17:15	34	78	14	0	126	72	44	36	0	152	44	76	36	0	156	17	25	42	0	84	518
17:30	29	56	5	0	90	53	47	35	0	135	39	83	37	0	159	25	23	43	0	91	475
Total Volume	125	266	39	0	430	247	173	122	0	542	142	327	158	0	627	82	95	183	0	360	1959
% App. Total	29.1	61.9	9.1	0		45.6	31.9	22.5	0		22.6	52.2	25.2	0		22.8	26.4	50.8	0		
PHF	.893	.842	.696	.000	.853	.858	.920	.847	.000	.891	.807	.889	.919	.000	.944	.759	.848	.880	.000	.841	.945

