

ALLIANT ENGINEERING, INC.

733 S Marquette Ave #700, Minneapolis, MN 55402

I-35E East Ramp & CR 30 (Diffley Rd)
 City: Eagan
 data by: Alliant Engineering, Inc.
 TURN MOVEMENT COUNT

File Name : I-35E East Ramp & CR 30 (Diffley Rd)_2021
 Site Code : 1735245
 Start Date : 10/19/2021
 Page No : 1

Groups Printed- Cars - Trucks

Start Time	I-35E East On Ramp Southbound					CR 30 (Diffley Rd) Westbound					I-35E East Off Ramp Northbound					CR 30 (Diffley Rd) Eastbound					Int. Total
	Left	Thru	Right	Peds	App. Total	Left	Thru	Right	Peds	App. Total	Left	Thru	Right	Peds	App. Total	Left	Thru	Right	Peds	App. Total	
06:00 AM	0	0	0	0	0	0	45	14	0	59	1	0	13	0	14	36	23	0	0	59	132
06:15 AM	0	0	0	0	0	0	49	24	0	73	1	0	12	0	13	33	36	0	0	69	155
06:30 AM	0	0	0	0	0	0	71	44	0	115	0	0	16	0	16	66	58	0	0	124	255
06:45 AM	0	0	0	0	0	0	115	34	0	149	3	0	39	0	42	68	68	0	0	136	327
Total	0	0	0	0	0	0	280	116	0	396	5	0	80	0	85	203	185	0	0	388	869
07:00 AM	0	0	0	0	0	0	117	54	0	171	5	0	50	0	55	63	86	0	0	149	375
07:15 AM	0	0	0	0	0	0	146	41	0	187	12	0	68	0	80	57	107	0	0	164	431
07:30 AM	0	0	0	0	0	0	203	52	0	255	3	0	51	0	54	77	85	0	0	162	471
07:45 AM	0	0	0	0	0	0	168	43	0	211	9	1	56	0	66	69	129	0	0	198	475
Total	0	0	0	0	0	0	634	190	0	824	29	1	225	0	255	266	407	0	0	673	1752
08:00 AM	0	0	0	0	0	0	181	39	0	220	4	0	57	0	61	44	136	0	0	180	461
08:15 AM	0	0	0	0	0	0	160	30	0	190	8	0	33	0	41	43	100	0	0	143	374
08:30 AM	0	0	0	1	1	0	125	40	0	165	4	0	32	0	36	63	74	0	0	137	339
08:45 AM	0	0	0	0	0	0	109	23	0	132	4	0	22	0	26	54	105	0	0	159	317
Total	0	0	0	1	1	0	575	132	0	707	20	0	144	0	164	204	415	0	0	619	1491
09:00 AM	0	0	0	0	0	0	118	31	0	149	6	0	40	0	46	49	106	0	0	155	350
09:15 AM	0	0	0	1	1	0	170	44	1	215	6	1	45	0	52	51	103	0	0	154	422
*** BREAK ***																					
Total	0	0	0	1	1	0	288	75	1	364	12	1	85	0	98	100	209	0	0	309	772
*** BREAK ***																					
10:30 AM	0	0	0	0	0	0	83	36	0	119	8	0	27	0	35	45	94	0	0	139	293
10:45 AM	0	0	0	0	0	0	97	24	0	121	3	0	29	1	33	39	86	0	0	125	279
Total	0	0	0	0	0	0	180	60	0	240	11	0	56	1	68	84	180	0	0	264	572
11:00 AM	0	0	0	0	0	0	104	30	0	134	5	0	25	0	30	30	95	0	0	125	289
11:15 AM	0	0	0	0	0	0	100	27	0	127	2	0	27	1	30	37	98	0	0	135	292
11:30 AM	0	0	0	1	1	0	117	32	0	149	3	0	25	0	28	55	95	0	0	150	328
11:45 AM	0	0	0	0	0	0	91	34	0	125	9	0	42	0	51	49	134	0	0	183	359
Total	0	0	0	1	1	0	412	123	0	535	19	0	119	1	139	171	422	0	0	593	1268
12:00 PM	0	0	0	2	2	0	104	27	0	131	8	0	32	0	40	44	99	0	0	143	316
12:15 PM	0	0	0	0	0	0	96	27	0	123	6	1	27	0	34	52	114	0	0	166	323
12:30 PM	0	0	0	1	1	0	132	28	1	161	3	0	26	3	32	52	104	0	0	156	350
12:45 PM	0	0	0	0	0	0	113	25	0	138	5	0	42	0	47	59	108	0	0	167	352
Total	0	0	0	3	3	0	445	107	1	553	22	1	127	3	153	207	425	0	0	632	1341
*** BREAK ***																					
02:30 PM	0	0	0	1	1	0	116	26	0	142	8	0	34	0	42	71	149	0	0	220	405
02:45 PM	0	0	0	0	0	0	156	31	0	187	4	0	43	0	47	82	162	0	0	244	478
Total	0	0	0	1	1	0	272	57	0	329	12	0	77	0	89	153	311	0	0	464	883
03:00 PM	0	0	0	0	0	0	115	28	0	143	7	0	43	0	50	57	149	0	0	206	399
03:15 PM	0	0	1	1	2	0	199	29	0	228	11	0	42	0	53	57	194	0	0	251	534
03:30 PM	0	0	0	0	0	0	132	27	0	159	9	1	58	0	68	68	167	0	0	235	462
03:45 PM	0	0	0	1	1	0	192	37	0	229	14	0	46	0	60	61	199	0	0	260	550
Total	0	0	1	2	3	0	638	121	0	759	41	1	189	0	231	243	709	0	0	952	1945
04:00 PM	0	0	0	1	1	0	172	34	0	206	11	3	51	0	65	78	166	0	0	244	516
04:15 PM	0	0	0	0	0	0	164	29	0	193	25	0	53	1	79	55	184	0	0	239	511
04:30 PM	0	0	0	0	0	0	202	34	0	236	22	2	67	0	91	66	233	0	0	299	626

ALLIANT ENGINEERING, INC.

733 S Marquette Ave #700, Minneapolis, MN 55402

I-35E East Ramp & CR 30 (Diffley Rd)
 City: Eagan
 data by: Alliant Engineering, Inc.
 TURN MOVEMENT COUNT

File Name : I-35E East Ramp & CR 30 (Diffley Rd)_2021
 Site Code : 1735245
 Start Date : 10/19/2021
 Page No : 2

Groups Printed- Cars - Trucks

Start Time	I-35E East On Ramp Southbound					CR 30 (Diffley Rd) Westbound					I-35E East Off Ramp Northbound					CR 30 (Diffley Rd) Eastbound					Int. Total
	Left	Thru	Right	Peds	App. Total	Left	Thru	Right	Peds	App. Total	Left	Thru	Right	Peds	App. Total	Left	Thru	Right	Peds	App. Total	
04:45 PM	0	0	0	0	0	0	176	33	0	209	8	0	70	1	79	64	199	0	0	263	551
Total	0	0	0	1	1	0	714	130	0	844	66	5	241	2	314	263	782	0	0	1045	2204
05:00 PM	0	0	0	0	0	0	180	42	0	222	13	0	54	2	69	94	188	0	0	282	573
05:15 PM	0	0	0	3	3	0	139	32	1	172	16	0	64	1	81	72	189	0	0	261	517
05:30 PM	0	0	0	0	0	0	120	54	0	174	9	0	57	0	66	57	200	0	0	257	497
05:45 PM	0	0	0	0	0	0	155	35	0	190	11	0	51	1	63	52	190	0	0	242	495
Total	0	0	0	3	3	0	594	163	1	758	49	0	226	4	279	275	767	0	0	1042	2082
06:00 PM	0	0	0	0	0	0	147	25	0	172	11	0	39	0	50	60	187	0	0	247	469
06:15 PM	0	0	0	3	3	0	139	21	0	160	8	0	44	0	52	71	140	0	0	211	426
Grand Total	0	0	1	16	17	0	5318	1320	3	6641	305	9	1652	11	1977	2300	5139	0	0	7439	16074
Apprch %	0	0	5.9	94.1		0	80.1	19.9	0		15.4	0.5	83.6	0.6		30.9	69.1	0	0		
Total %	0	0	0	0.1	0.1	0	33.1	8.2	0	41.3	1.9	0.1	10.3	0.1	12.3	14.3	32	0	0	46.3	
Cars	0	0	1	9	10	0	5187	1297	3	6487	296	9	1608	5	1918	2267	5030	0	0	7297	15712
% Cars	0	0	100	56.2	58.8	0	97.5	98.3	100	97.7	97	100	97.3	45.5	97	98.6	97.9	0	0	98.1	97.7
Trucks	0	0	0	7	7	0	131	23	0	154	9	0	44	6	59	33	109	0	0	142	362
% Trucks	0	0	0	43.8	41.2	0	2.5	1.7	0	2.3	3	0	2.7	54.5	3	1.4	2.1	0	0	1.9	2.3

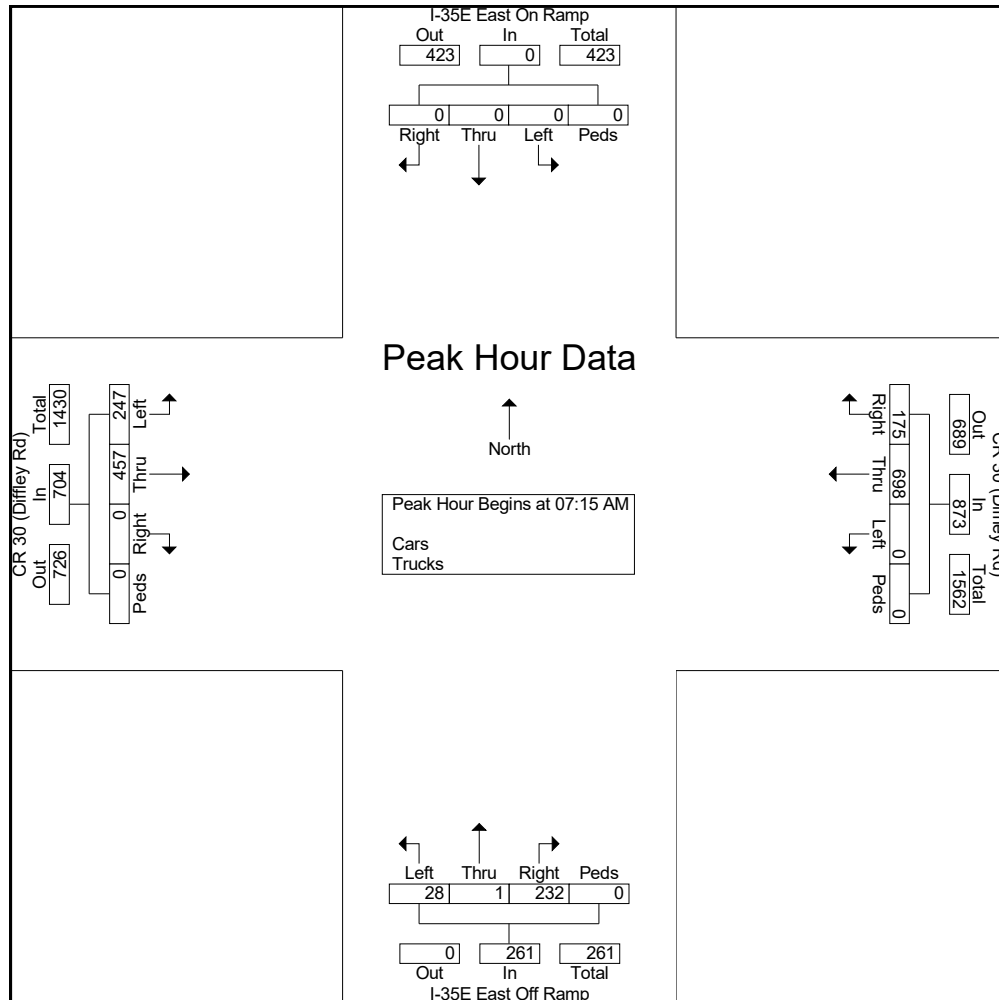
ALLIANT ENGINEERING, INC.

733 S Marquette Ave #700, Minneapolis, MN 55402

I-35E East Ramp & CR 30 (Diffley Rd)
 City: Eagan
 data by: Alliant Engineering, Inc.
 TURN MOVEMENT COUNT

File Name : I-35E East Ramp & CR 30 (Diffley Rd)_2021
 Site Code : 1735245
 Start Date : 10/19/2021
 Page No : 3

Start Time	I-35E East On Ramp Southbound					CR 30 (Diffley Rd) Westbound					I-35E East Off Ramp Northbound					CR 30 (Diffley Rd) Eastbound					Int. Total
	Left	Thru	Right	Peds	App. Total	Left	Thru	Right	Peds	App. Total	Left	Thru	Right	Peds	App. Total	Left	Thru	Right	Peds	App. Total	
Peak Hour Analysis From 06:00 AM to 09:45 AM - Peak 1 of 1																					
Peak Hour for Entire Intersection Begins at 07:15 AM																					
07:15 AM	0	0	0	0	0	0	146	41	0	187	12	0	68	0	80	57	107	0	0	164	431
07:30 AM	0	0	0	0	0	0	203	52	0	255	3	0	51	0	54	77	85	0	0	162	471
07:45 AM	0	0	0	0	0	0	168	43	0	211	9	1	56	0	66	69	129	0	0	198	475
08:00 AM	0	0	0	0	0	0	181	39	0	220	4	0	57	0	61	44	136	0	0	180	461
Total Volume	0	0	0	0	0	0	698	175	0	873	28	1	232	0	261	247	457	0	0	704	1838
% App. Total	0	0	0	0	0	0	80	20	0		10.7	0.4	88.9	0		35.1	64.9	0	0		
PHF	.000	.000	.000	.000	.000	.000	.860	.841	.000	.856	.583	.250	.853	.000	.816	.802	.840	.000	.000	.889	.967



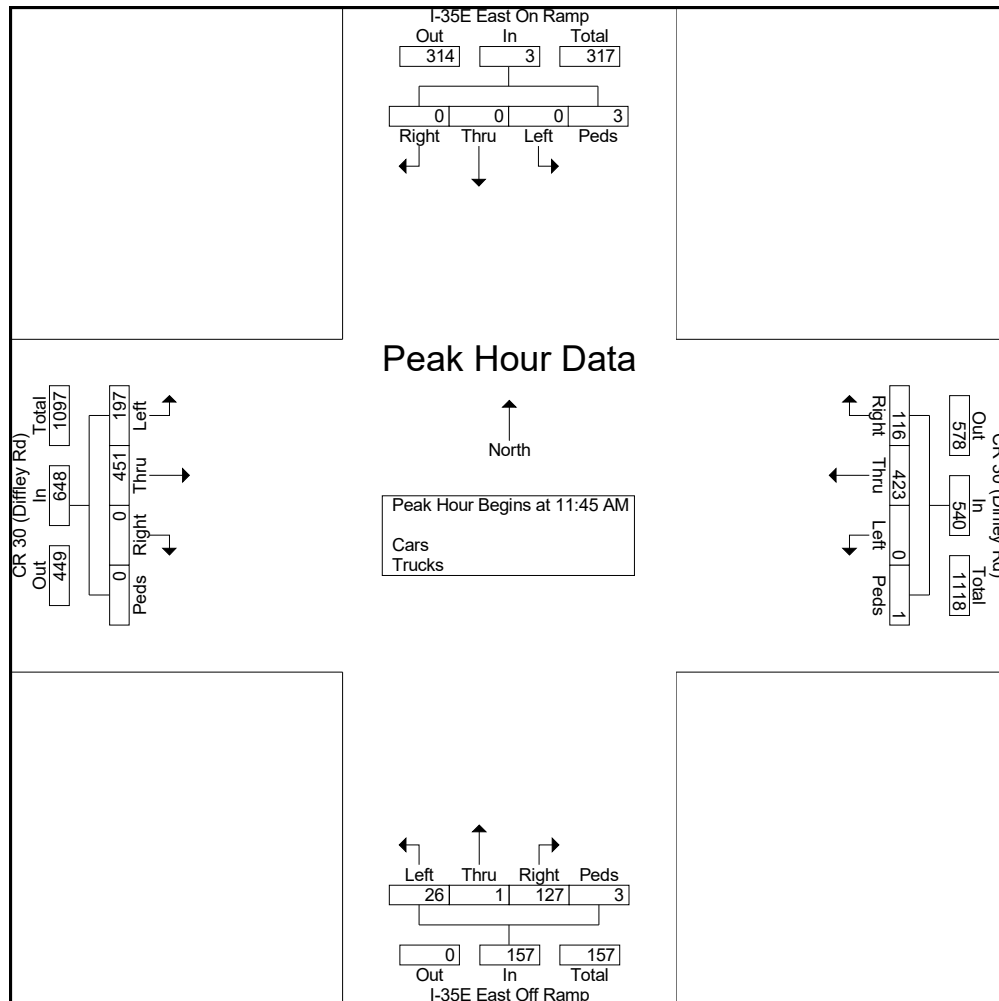
ALLIANT ENGINEERING, INC.

733 S Marquette Ave #700, Minneapolis, MN 55402

I-35E East Ramp & CR 30 (Diffley Rd)
 City: Eagan
 data by: Alliant Engineering, Inc.
 TURN MOVEMENT COUNT

File Name : I-35E East Ramp & CR 30 (Diffley Rd)_2021
 Site Code : 1735245
 Start Date : 10/19/2021
 Page No : 4

Start Time	I-35E East On Ramp Southbound					CR 30 (Diffley Rd) Westbound					I-35E East Off Ramp Northbound					CR 30 (Diffley Rd) Eastbound					Int. Total
	Left	Thru	Right	Peds	App. Total	Left	Thru	Right	Peds	App. Total	Left	Thru	Right	Peds	App. Total	Left	Thru	Right	Peds	App. Total	
Peak Hour Analysis From 10:00 AM to 01:45 PM - Peak 1 of 1																					
Peak Hour for Entire Intersection Begins at 11:45 AM																					
11:45 AM	0	0	0	0	0	0	91	34	0	125	9	0	42	0	51	49	134	0	0	183	359
12:00 PM	0	0	0	2	2	0	104	27	0	131	8	0	32	0	40	44	99	0	0	143	316
12:15 PM	0	0	0	0	0	0	96	27	0	123	6	1	27	0	34	52	114	0	0	166	323
12:30 PM	0	0	0	1	1	0	132	28	1	161	3	0	26	3	32	52	104	0	0	156	350
Total Volume	0	0	0	3	3	0	423	116	1	540	26	1	127	3	157	197	451	0	0	648	1348
% App. Total	0	0	0	100		0	78.3	21.5	0.2		16.6	0.6	80.9	1.9		30.4	69.6	0	0		
PHF	.000	.000	.000	.375	.375	.000	.801	.853	.250	.839	.722	.250	.756	.250	.770	.947	.841	.000	.000	.885	.939



ALLIANT ENGINEERING, INC.

733 S Marquette Ave #700, Minneapolis, MN 55402

I-35E East Ramp & CR 30 (Diffley Rd)
 City: Eagan
 data by: Alliant Engineering, Inc.
 TURN MOVEMENT COUNT

File Name : I-35E East Ramp & CR 30 (Diffley Rd)_2021
 Site Code : 1735245
 Start Date : 10/19/2021
 Page No : 5

Start Time	I-35E East On Ramp Southbound					CR 30 (Diffley Rd) Westbound					I-35E East Off Ramp Northbound					CR 30 (Diffley Rd) Eastbound					Int. Total
	Left	Thru	Right	Peds	App. Total	Left	Thru	Right	Peds	App. Total	Left	Thru	Right	Peds	App. Total	Left	Thru	Right	Peds	App. Total	
Peak Hour Analysis From 02:00 PM to 06:15 PM - Peak 1 of 1																					
Peak Hour for Entire Intersection Begins at 04:30 PM																					
04:30 PM	0	0	0	0	0	0	202	34	0	236	22	2	67	0	91	66	233	0	0	299	626
04:45 PM	0	0	0	0	0	0	176	33	0	209	8	0	70	1	79	64	199	0	0	263	551
05:00 PM	0	0	0	0	0	0	180	42	0	222	13	0	54	2	69	94	188	0	0	282	573
05:15 PM	0	0	0	3	3	0	139	32	1	172	16	0	64	1	81	72	189	0	0	261	517
Total Volume	0	0	0	3	3	0	697	141	1	839	59	2	255	4	320	296	809	0	0	1105	2267
% App. Total	0	0	0	100		0	83.1	16.8	0.1		18.4	0.6	79.7	1.2		26.8	73.2	0	0		
PHF	.000	.000	.000	.250	.250	.000	.863	.839	.250	.889	.670	.250	.911	.500	.879	.787	.868	.000	.000	.924	.905

