



MINNESOTA DEPT OF TRANSPORTATION

TRAFFIC DATA COLLECTION - METRO

I-35 at TH-95, W Ramps North Branch
 REF.PT.: 054.370
 DATA COLLECTED BY TDI
 TURN MOVEMENT COUNT

File Name : I-35 AT TH-95 WEST RAMPS 2007
 Site Code : 00198752
 Start Date : 6/5/2007
 Page No : 1

Groups Printed- Unshifted

Start Time	ramp from I-35 SB Southbound				MN-95 Westbound				ramp to I-35 SB Northbound				MN-95 Eastbound				Int. Total
	Left	Thru	Right	Peds	Left	Thru	Right	Peds	Left	Thru	Right	Peds	Left	Thru	Right	Peds	
06:00	6	0	12	0	87	49	0	0	0	0	0	0	0	55	82	0	291
06:15	15	0	7	0	93	46	0	0	0	0	0	1	0	72	69	0	303
06:30	13	0	16	0	90	75	0	0	0	0	0	0	0	71	85	0	350
06:45	15	1	12	0	70	77	0	0	0	0	0	0	0	91	68	0	334
Total	49	1	47	0	340	247	0	0	0	0	0	1	0	289	304	0	1278
07:00	13	0	8	0	78	90	0	0	0	0	0	2	0	87	59	0	337
07:15	25	0	7	1	67	100	0	0	0	0	0	0	0	117	65	0	382
07:30	27	0	12	0	64	99	0	0	0	0	0	9	0	148	66	0	425
07:45	28	0	18	0	72	135	0	0	0	0	0	2	0	168	55	0	478
Total	93	0	45	1	281	424	0	0	0	0	0	13	0	520	245	0	1622
08:00	23	1	13	0	68	131	0	0	0	0	0	0	0	112	43	0	391
08:15	12	0	8	0	51	127	0	0	0	0	0	1	0	90	46	0	335
08:30	20	1	10	0	45	106	0	0	0	0	0	0	0	74	42	0	298
08:45	26	0	10	0	48	100	0	0	0	0	0	0	0	87	36	0	307
Total	81	2	41	0	212	464	0	0	0	0	0	1	0	363	167	0	1331
*** BREAK ***																	
11:00	18	0	17	0	27	87	0	0	0	0	0	0	0	118	33	0	300
11:15	21	0	19	0	36	123	0	0	0	0	0	0	0	88	41	0	328
11:30	28	0	16	0	31	123	0	0	0	0	0	1	0	113	30	0	342
11:45	17	0	17	0	41	167	0	0	0	0	0	0	0	146	33	0	421
Total	84	0	69	0	135	500	0	0	0	0	0	1	0	465	137	0	1391
12:00	21	0	22	0	50	158	0	0	0	0	0	0	0	102	30	0	383
12:15	22	0	25	0	41	128	0	0	0	0	0	0	0	108	36	0	360
12:30	9	0	35	0	37	144	0	0	0	0	0	0	0	121	38	0	384
12:45	13	0	23	0	34	132	0	0	0	0	0	0	0	123	39	0	364
Total	65	0	105	0	162	562	0	0	0	0	0	0	0	454	143	0	1491
*** BREAK ***																	
15:00	13	0	19	0	31	197	0	0	0	0	0	1	0	106	52	0	419
15:15	18	0	13	0	39	207	0	0	0	0	0	0	0	101	48	0	426
15:30	23	0	17	5	42	182	0	0	0	0	0	1	0	124	58	0	452
15:45	28	0	13	0	42	228	0	0	0	0	0	2	0	153	36	0	502
Total	82	0	62	5	154	814	0	0	0	0	0	4	0	484	194	0	1799
16:00	27	0	29	0	34	229	0	0	0	0	0	4	0	133	46	0	502
16:15	17	0	20	0	35	233	0	0	0	0	0	1	0	135	41	0	482
16:30	20	0	23	0	38	217	0	0	0	0	0	0	0	142	46	0	486
16:45	31	0	28	0	34	237	0	0	0	0	0	1	0	152	54	0	537
Total	95	0	100	0	141	916	0	0	0	0	0	6	0	562	187	0	2007
17:00	10	0	19	0	49	221	0	0	0	0	0	0	0	156	50	0	505
17:15	29	1	40	0	21	217	0	0	0	0	0	1	0	157	49	0	515
17:30	25	2	20	0	28	213	0	0	0	0	0	0	0	168	45	0	501
17:45	15	0	18	0	29	213	0	0	0	0	0	0	0	204	42	0	521
Total	79	3	97	0	127	864	0	0	0	0	0	1	0	685	186	0	2042



MINNESOTA DEPT OF TRANSPORTATION
 TRAFFIC DATA COLLECTION - METRO

I-35 at TH-95, W Ramps North Branch
 REF.PT.: 054.370
 DATA COLLECTED BY TDI
 TURN MOVEMENT COUNT

File Name : I-35 AT TH-95 WEST RAMPS 2007
 Site Code : 00198752
 Start Date : 6/5/2007
 Page No : 2

Groups Printed- Unshifted

	ramp from I-35 SB Southbound				MN-95 Westbound				ramp to I-35 SB Northbound				MN-95 Eastbound				Int. Total
	Left	Thru	Right	Peds	Left	Thru	Right	Peds	Left	Thru	Right	Peds	Left	Thru	Right	Peds	
Grand Total	628	6	566	6	1552	4791	0	0	0	0	0	27	0	3822	1563	0	12961
Apprch %	52.1	0.5	46.9	0.5	24.5	75.5	0	0	0	0	0	100	0	71	29	0	
Total %	4.8	0	4.4	0	12	37	0	0	0	0	0	0.2	0	29.5	12.1	0	



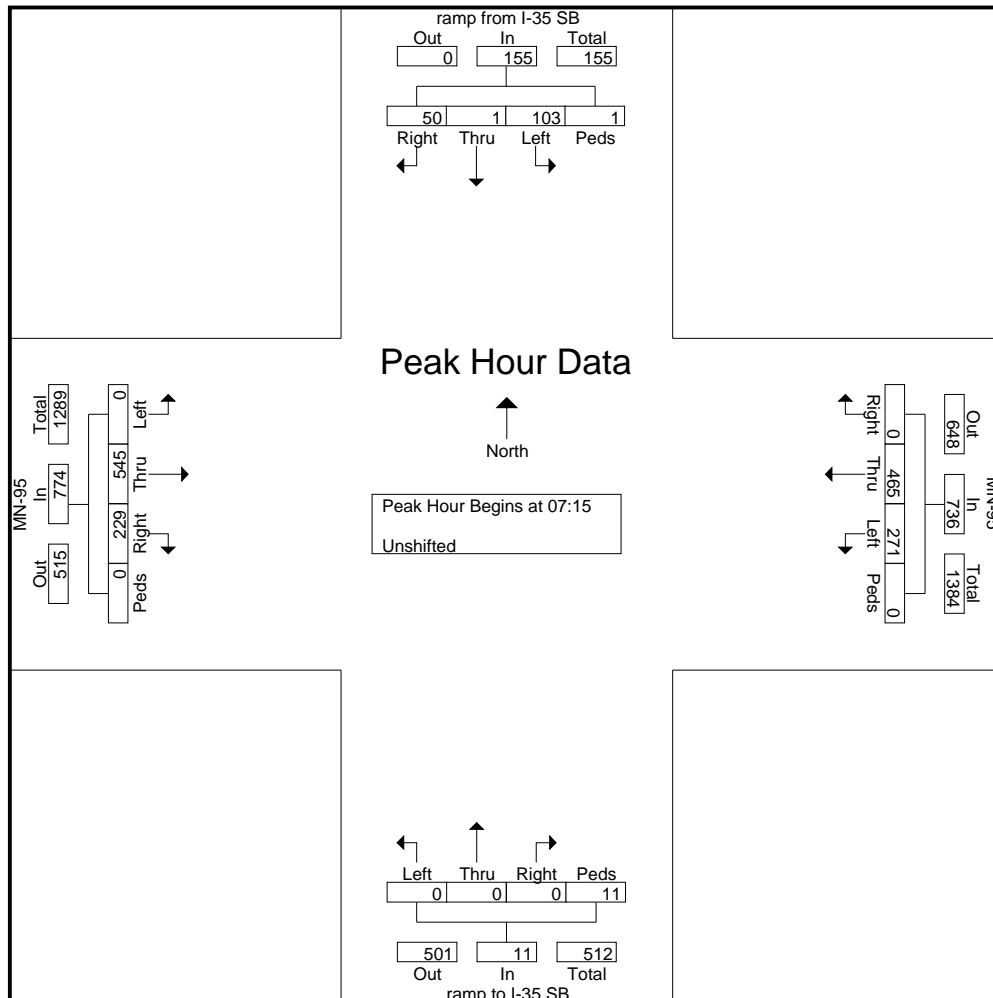
MINNESOTA DEPT OF TRANSPORTATION

TRAFFIC DATA COLLECTION - METRO

I-35 at TH-95, W Ramps North Branch
 REF.PT.: 054.370
 DATA COLLECTED BY TDI
 TURN MOVEMENT COUNT

File Name : I-35 AT TH-95 WEST RAMPS 2007
 Site Code : 00198752
 Start Date : 6/5/2007
 Page No : 3

Start Time	ramp from I-35 SB Southbound					MN-95 Westbound					ramp to I-35 SB Northbound					MN-95 Eastbound					Int. Total
	Left	Thru	Right	Peds	App. Total	Left	Thru	Right	Peds	App. Total	Left	Thru	Right	Peds	App. Total	Left	Thru	Right	Peds	App. Total	
Peak Hour Analysis From 06:00 to 08:45 - Peak 1 of 1																					
Peak Hour for Entire Intersection Begins at 07:15																					
07:15	25	0	7	1	33	67	100	0	0	167	0	0	0	0	0	0	117	65	0	182	382
07:30	27	0	12	0	39	64	99	0	0	163	0	0	0	9	9	0	148	66	0	214	425
07:45	28	0	18	0	46	72	135	0	0	207	0	0	0	2	2	0	168	55	0	223	478
08:00	23	1	13	0	37	68	131	0	0	199	0	0	0	0	0	0	112	43	0	155	391
Total Volume	103	1	50	1	155	271	465	0	0	736	0	0	0	11	11	0	545	229	0	774	1676
% App. Total	66.5	0.6	32.3	0.6		36.8	63.2	0	0		0	0	0	100		0	70.4	29.6	0		
PHF	.920	.250	.694	.250	.842	.941	.861	.000	.000	.889	.000	.000	.000	.306	.306	.000	.811	.867	.000	.868	.877





MINNESOTA DEPT OF TRANSPORTATION

TRAFFIC DATA COLLECTION - METRO

I-35 at TH-95, W Ramps North Branch
 REF.PT.: 054.370
 DATA COLLECTED BY TDI
 TURN MOVEMENT COUNT

File Name : I-35 AT TH-95 WEST RAMPS 2007
 Site Code : 00198752
 Start Date : 6/5/2007
 Page No : 4

Start Time	ramp from I-35 SB Southbound					MN-95 Westbound					ramp to I-35 SB Northbound					MN-95 Eastbound					Int. Total
	Left	Thru	Right	Peds	App. Total	Left	Thru	Right	Peds	App. Total	Left	Thru	Right	Peds	App. Total	Left	Thru	Right	Peds	App. Total	
Peak Hour Analysis From 15:00 to 17:45 - Peak 1 of 1																					
Peak Hour for Entire Intersection Begins at 16:45																					
16:45	31	0	28	0	59	34	237	0	0	271	0	0	0	1	1	0	152	54	0	206	537
17:00	10	0	19	0	29	49	221	0	0	270	0	0	0	0	0	0	156	50	0	206	505
17:15	29	1	40	0	70	21	217	0	0	238	0	0	0	1	1	0	157	49	0	206	515
17:30	25	2	20	0	47	28	213	0	0	241	0	0	0	0	0	0	168	45	0	213	501
Total Volume	95	3	107	0	205	132	888	0	0	1020	0	0	0	2	2	0	633	198	0	831	2058
% App. Total	46.3	1.5	52.2	0		12.9	87.1	0	0		0	0	0	100		0	76.2	23.8	0		
PHF	.766	.375	.669	.000	.732	.673	.937	.000	.000	.941	.000	.000	.000	.500	.500	.000	.942	.917	.000	.975	.958

