

Alliant Engineering, Inc

233 Park Ave Suite 300

Minneapolis, MN 55415

--TRAFFIC DATA --

CSAH-46 at I-35 East Ramp

Ref.Pt.: 86.745

data by : Alliant Inc.

TURN MOVEMENT COUNT

File Name : 363_CSAH 46 & I-35 E Ramp

Site Code : 363

Start Date : 10/25/2017

Page No : 1

Groups Printed- Vehicles - Trucks

Start Time	I-35 E Ramp From North				CSAH 46 From East				I-35 E Ramp From South				CSAH 46 From West				Int. Total
	Other	Left	Thru	Rght	Other	Left	Thru	Rght	Other	Left	Thru	Rght	Other	Left	Thru	Rght	
06:00 AM	0	26	0	0	0	0	66	202	0	0	0	0	0	24	54	0	372
06:15 AM	0	31	0	5	0	0	98	268	0	0	0	0	0	46	94	0	542
06:30 AM	0	32	0	3	0	0	99	249	0	0	0	0	0	61	103	0	547
06:45 AM	0	44	0	5	0	0	122	278	0	0	0	0	0	56	88	0	593
Total	0	133	0	13	0	0	385	997	0	0	0	0	0	187	339	0	2054
07:00 AM	0	52	0	4	0	0	131	318	0	0	0	0	0	53	101	0	659
07:15 AM	0	29	0	0	0	0	158	343	0	0	0	0	0	49	131	0	710
07:30 AM	0	21	0	2	0	0	189	293	0	0	0	0	0	38	141	0	684
07:45 AM	0	32	0	6	0	0	195	262	0	0	0	0	0	46	176	0	717
Total	0	134	0	12	0	0	673	1216	0	0	0	0	0	186	549	0	2770
08:00 AM	0	44	0	11	0	0	113	371	0	0	0	0	0	48	141	0	728
08:15 AM	0	40	0	12	0	0	128	237	0	0	0	0	0	35	123	0	575
08:30 AM	0	44	0	0	0	0	133	271	0	0	0	0	0	38	145	0	631
08:45 AM	0	56	0	4	0	0	118	250	0	0	0	0	0	49	180	0	657
Total	0	184	0	27	0	0	492	1129	0	0	0	0	0	170	589	0	2591
09:00 AM	0	48	0	3	0	0	114	211	0	0	0	0	0	25	158	0	559
09:15 AM	0	54	0	0	0	0	91	217	0	0	0	0	0	38	163	0	563
*** BREAK ***																	
Total	0	102	0	3	0	0	205	428	0	0	0	0	0	63	321	0	1122
*** BREAK ***																	
10:30 AM	0	31	0	2	0	0	79	146	0	0	0	0	0	22	148	0	428
10:45 AM	0	28	0	2	0	0	65	128	0	0	0	0	0	21	127	0	371
Total	0	59	0	4	0	0	144	274	0	0	0	0	0	43	275	0	799
11:00 AM	0	41	0	18	0	0	77	137	0	0	0	0	0	27	161	0	461
11:15 AM	0	52	0	6	0	0	91	128	0	0	0	0	0	16	179	0	472
11:30 AM	0	30	0	4	0	0	86	159	0	0	0	0	0	25	179	0	483
11:45 AM	0	33	0	16	0	0	102	163	0	0	0	0	0	26	149	0	489
Total	0	156	0	44	0	0	356	587	0	0	0	0	0	94	668	0	1905
12:00 PM	0	33	0	0	0	0	81	128	0	0	0	0	0	23	158	0	423
12:15 PM	0	36	0	1	0	0	76	140	0	0	0	0	0	28	186	0	467
12:30 PM	0	37	0	2	0	0	75	155	0	0	0	0	0	23	149	0	441
12:45 PM	0	40	0	3	0	0	77	133	0	0	0	0	0	39	195	0	487
Total	0	146	0	6	0	0	309	556	0	0	0	0	0	113	688	0	1818
01:00 PM	0	36	0	5	0	0	93	141	0	0	0	0	0	21	152	0	448
01:15 PM	0	32	0	6	0	0	69	128	0	0	0	0	0	24	177	0	436
*** BREAK ***																	
Total	0	68	0	11	0	0	162	269	0	0	0	0	0	45	329	0	884
*** BREAK ***																	
02:30 PM	0	52	0	2	0	0	84	125	0	0	0	0	0	20	248	0	531
02:45 PM	0	37	0	0	0	0	73	127	0	0	0	0	0	28	294	0	559
Total	0	89	0	2	0	0	157	252	0	0	0	0	0	48	542	0	1090
03:00 PM	0	44	0	6	0	0	108	131	0	0	0	0	0	32	261	0	582
03:15 PM	0	44	0	2	0	0	134	175	0	0	0	0	0	20	322	0	697
03:30 PM	0	57	0	9	0	0	115	134	0	0	0	0	0	28	329	0	672
03:45 PM	0	43	0	6	0	0	144	161	0	0	0	0	0	23	375	0	752
Total	0	188	0	23	0	0	501	601	0	0	0	0	0	103	1287	0	2703
04:00 PM	0	32	0	6	0	0	114	128	0	0	0	0	0	21	391	0	692
04:15 PM	0	41	0	6	0	0	151	178	0	0	0	0	0	24	472	0	872
04:30 PM	0	52	0	1	0	0	114	178	0	0	0	0	0	20	443	0	808
04:45 PM	0	46	0	2	0	0	137	168	0	0	0	0	0	26	524	0	903
Total	0	171	0	15	0	0	516	652	0	0	0	0	0	91	1830	0	3275

Alliant Engineering, Inc

233 Park Ave Suite 300

Minneapolis, MN 55415

--TRAFFIC DATA --

CSAH-46 at I-35 East Ramp

Ref.Pt.: 86.745

data by : Alliant Inc.

TURN MOVEMENT COUNT

File Name : 363_CSAH 46 & I-35 E Ramp

Site Code : 363

Start Date : 10/25/2017

Page No : 2

Groups Printed- Vehicles - Trucks

Start Time	I-35 E Ramp From North				CSAH 46 From East				I-35 E Ramp From South				CSAH 46 From West				Int. Total
	Other	Left	Thru	Rght	Other	Left	Thru	Rght	Other	Left	Thru	Rght	Other	Left	Thru	Rght	
05:00 PM	0	69	0	1	0	0	147	163	0	0	0	0	0	23	434	0	837
05:15 PM	0	55	0	3	0	0	137	180	0	0	0	0	0	18	482	0	875
05:30 PM	0	82	0	1	0	0	132	150	0	0	0	0	0	66	359	0	790
05:45 PM	0	78	0	4	0	0	145	182	0	0	0	0	0	27	463	0	899
Total	0	284	0	9	0	0	561	675	0	0	0	0	0	134	1738	0	3401
Grand Total	0	1714	0	169	0	0	4461	7636	0	0	0	0	0	1277	9155	0	24412
Apprch %	0	91	0	9	0	0	36.9	63.1	0	0	0	0	0	12.2	87.8	0	
Total %	0	7	0	0.7	0	0	18.3	31.3	0	0	0	0	0	5.2	37.5	0	
Vehicles	0	1601	0	160	0	0	4294	7130	0	0	0	0	0	1259	8591	0	23035
% Vehicles	0	93.4	0	94.7	0	0	96.3	93.4	0	0	0	0	0	98.6	93.8	0	94.4
Trucks	0	113	0	9	0	0	167	506	0	0	0	0	0	18	564	0	1377
% Trucks	0	6.6	0	5.3	0	0	3.7	6.6	0	0	0	0	0	1.4	6.2	0	5.6

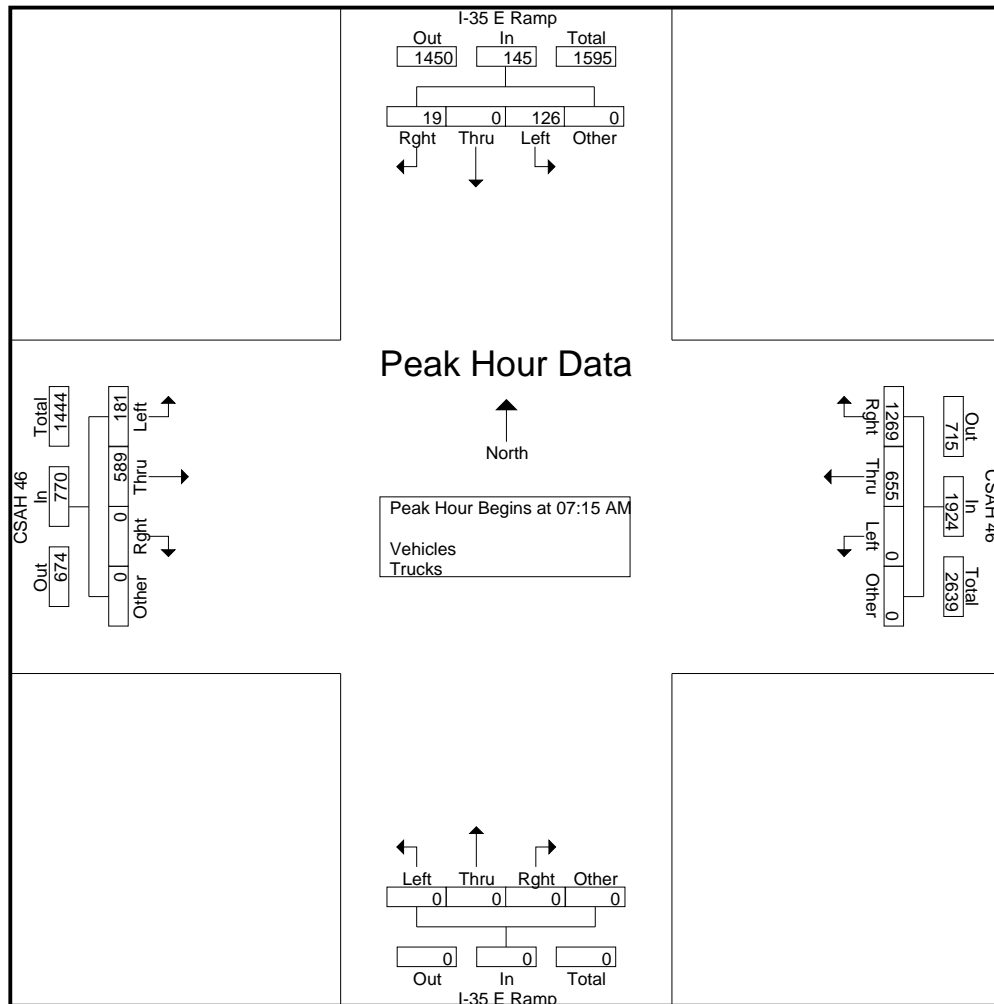
Alliant Engineering, Inc

233 Park Ave Suite 300
 Minneapolis, MN 55415
 --TRAFFIC DATA --

CSAH-46 at I-35 East Ramp
 Ref.Pt.: 86.745
 data by : Alliant Inc.
 TURN MOVEMENT COUNT

File Name : 363_CSAH 46 & I-35 E Ramp
 Site Code : 363
 Start Date : 10/25/2017
 Page No : 3

Start Time	I-35 E Ramp From North					CSAH 46 From East					I-35 E Ramp From South					CSAH 46 From West					Int. Total
	Other	Left	Thru	Right	App. Total	Other	Left	Thru	Right	App. Total	Other	Left	Thru	Right	App. Total	Other	Left	Thru	Right	App. Total	
Peak Hour Analysis From 06:00 AM to 11:45 AM - Peak 1 of 1																					
Peak Hour for Entire Intersection Begins at 07:15 AM																					
07:15 AM	0	29	0	0	29	0	0	158	343	501	0	0	0	0	0	0	49	131	0	180	710
07:30 AM	0	21	0	2	23	0	0	189	293	482	0	0	0	0	0	0	38	141	0	179	684
07:45 AM	0	32	0	6	38	0	0	195	262	457	0	0	0	0	0	0	46	176	0	222	717
08:00 AM	0	44	0	11	55	0	0	113	371	484	0	0	0	0	0	0	48	141	0	189	728
Total Volume	0	126	0	19	145	0	0	655	1269	1924	0	0	0	0	0	0	181	589	0	770	2839
% App. Total	0	86.9	0	13.1		0	0	34	66		0	0	0	0		0	23.5	76.5	0		
PHF	.000	.716	.000	.432	.659	.000	.000	.840	.855	.960	.000	.000	.000	.000	.000	.000	.923	.837	.000	.867	.975



Alliant Engineering, Inc

233 Park Ave Suite 300
 Minneapolis, MN 55415
 --TRAFFIC DATA --

CSAH-46 at I-35 East Ramp
 Ref.Pt.: 86.745
 data by : Alliant Inc.
 TURN MOVEMENT COUNT

File Name : 363_CSAH 46 & I-35 E Ramp
 Site Code : 363
 Start Date : 10/25/2017
 Page No : 4

Start Time	I-35 E Ramp From North					CSAH 46 From East					I-35 E Ramp From South					CSAH 46 From West					Int. Total
	Other	Left	Thru	Rght	App. Total	Other	Left	Thru	Rght	App. Total	Other	Left	Thru	Rght	App. Total	Other	Left	Thru	Rght	App. Total	
Peak Hour Analysis From 12:00 PM to 05:45 PM - Peak 1 of 1																					
Peak Hour for Entire Intersection Begins at 04:30 PM																					
04:30 PM	0	52	0	1	53	0	0	114	178	292	0	0	0	0	0	0	20	443	0	463	808
04:45 PM	0	46	0	2	48	0	0	137	168	305	0	0	0	0	0	0	26	524	0	550	903
05:00 PM	0	69	0	1	70	0	0	147	163	310	0	0	0	0	0	0	23	434	0	457	837
05:15 PM	0	55	0	3	58	0	0	137	180	317	0	0	0	0	0	0	18	482	0	500	875
Total Volume	0	222	0	7	229	0	0	535	689	1224	0	0	0	0	0	0	87	1883	0	1970	3423
% App. Total	0	96.9	0	3.1		0	0	43.7	56.3		0	0	0	0	0	0	4.4	95.6	0		
PHF	.000	.804	.000	.583	.818	.000	.000	.910	.957	.965	.000	.000	.000	.000	.000	.000	.837	.898	.000	.895	.948

